

Inhoudsopgave

Achteras Aandrijving	93
Achteras Huis	67
Bumper & Motorkap Sluiting 70 CV	27
Bumper & Motorkap Sluiting 80 CV, 90 CV	31
Dashbord	47
Diepte Regeling	146
Differentieel Slot	97
Driepunt Standaard	156
Elektrisch Achter	118
Elektrisch Bij Motor 70 CV	114
Elektrisch Bij Motor 80 CV, 90 CV	116
Front Gewichten & Beugel	166
Gaskabels Voet & Handgas 70 CV	13
Gaskabels Voet & Hangas 80 CV, 90 CV	15
Hef Deksel & Cilinders	136
Hydrauliek Aanzuig Syst. & Filters 70 CV	120
Hydrauliek Aanzuig Syst. 80 CV, 90 CV	124
Hydrauliek Achter	138
Hydraulisch Stuur	130
Hydrauliek Ventielen	134
Index	174
Koppelings Pedalen	75
Koppeling & Koppelings Plaat	71
Luchtfilter	21
Middenstuk Knik	63
Middenstuk Platen & Voet Steunen	37
Motor 70 CV	5
Motor 80 CV	7
Motor 90 CV	9
Motorkap	33
Olie Koeler 70 CV	126
Olie Koeler 80 CV, 90 CV	128
PTO Schakeling	105
PTO & Differentieel Hydrauliek	132
PTO & Tandwielen en Koppeling	99
Radiator 70 CV	17
Radiator 80 CV, 90 CV	19
Rem Pedaal & Handrem	109
Rem Pedalen	111
Remmen	107
Schakelpoken & Gaffels	87
Schakelpook Rubbers & Zitting Plaat	55
Slot Mechaniek	91
Spatschermen Achter	41

Stickers	45
Tandwielen	79
Tank	25
Trekhaak	162
Vooras Aandrijving	69
Vooras Huis	61
Wiel Eindvertraging	95
Wielen	170
Zittingen	57

Code	Description	Notes
A0101_1_14653	ENGINE	Power: 70 CV
A0102_1_14720	ENGINE	Power: 80 CV
A0103_1_14789	ENGINE	Power: 90 CV
A0201_0_14825	ENGINE CONTROLS	Power: 70 CV
A0203_0_14871	ENGINE CONTROLS	Power: 80 CV, 90 CV
A0301_0_14926	COOLER	Power: 70 CV
A0302_0_14955	COOLER	Power: 80 CV, 90 CV
A0401_0_14980	AIR FILTER	Power: 70 CV, 80 CV, 90 CV
A0402_0_15005	AIR FILTER WITH EXTERNAL AIR INTAKE	Power: 70 CV, 80 CV, 90 CV
A0501_0_15024	FUEL TANK	Power: 70 CV, 80 CV, 90 CV
B0101_0_15056	FRONT SUPPORT	Power: 70 CV
B0102_0_15096	FRONT SUPPORT	Power: 80 CV, 90 CV
B0201_0_15127	BONNET	Power: 70 CV, 80 CV, 90 CV
B0404_0_15361	BOARDS	Power: 70 CV, 80 CV, 90 CV
B0503_0_15535	REAR MUDGUARDS	Power: 70 CV, 80 CV, 90 CV
B0703_0_15684	PLATES AND STICKERS	Power: 70 CV, 80 CV, 90 CV
B0801_1_69100	DASHBOARD	Power: 70 CV, 80 CV, 90 CV
B0801_2_69139	DASHBOARD	Power: 70 CV, 80 CV, 90 CV
B0901_0_15758	SEAT SUPPORT / GEAR LEVERS COVER	Power: 70 CV, 80 CV, 90 CV
B1201_0_15868	SEAT (STANDARD)	Power: 70 CV, 80 CV, 90 CV
B1202_0_15889	SEAT (KAB)	Power: 70 CV, 80 CV, 90 CV
C0102_0_15959	FRONT AXLE	Power: 70 CV, 80 CV, 90 CV
C0202_0_16001	CENTRAL SECTION	Power: 70 CV, 80 CV, 90 CV
C0302_0_16058	REAR AXLE	Power: 70 CV, 80 CV, 90 CV
D0102_0_16108	FRONT TRANSMISSION	Power: 70 CV, 80 CV, 90 CV
D0202_1_16246	CLUTCH FRONT SHAFT/ TRANSMISSION CLUTCH	Power: 70 CV, 80 CV, 90 CV
D0301_0_16283	CLUTCH CONTROLS	Power: 70 CV, 80 CV, 90 CV
D0401_0_16337	INPUT SHAFT/RANGES MAIN SHAFT/GEARS	Power: 70 CV, 80 CV, 90 CV
D0501_0_16362	GEARS MAIN SHAFT/GEARS	Power: 70 CV, 80 CV, 90 CV
D0601_0_16375	GEARS TRANSMISSION SHAFT/GEARS	Power: 70 CV, 80 CV, 90 CV
D0701_0_16411	GEARBOX CONTROLS	Power: 70 CV, 80 CV, 90 CV
D0801_0_16453	MECHANICAL LOCK	Power: 70 CV, 80 CV, 90 CV
D0902_0_16489	REAR TRANSMISSION	Power: 70 CV, 80 CV, 90 CV
D1001_0_16509	EPYCICLIC REDUCTION GEARS	Power: 70 CV, 80 CV, 90 CV

Thor 70-80-90 AR monodirezionale

Code	Description	Notes
D1101_0_16526	DIFFERENTIAL LOCK	Power: 70 CV, 80 CV, 90 CV
D1201_0_16542	POWER TAKE-OFF	Power: 70 CV, 80 CV, 90 CV
D1301_0_16613	POWER TAKE-OFF CONTROLS	Power: 70 CV, 80 CV, 90 CV
D1402_0_16646	BRAKES	Power: 70 CV, 80 CV, 90 CV
D1503_0_16728	BRAKES CONTROLS	Power: 70 CV, 80 CV, 90 CV
D1504_0_16755	BRAKES CONTROLS	Power: 70 CV, 80 CV, 90 CV
E0101_0_16789	FRONT ELECTRICAL SYSTEM	Power: 70 CV, 80 CV, 90 CV
E0201_0_16797	ENGINE ELECTRIC SYSTEM	Power: 70 CV
E0202_0_16806	ENGINE ELECTRIC SYSTEM	Power: 80 CV, 90 CV
E0301_0_16816	REAR ELECTRICAL SYSTEM	Power: 70 CV, 80 CV, 90 CV
F0103_0_16954	HYDR. SYSTEM DOUBLE OIL SUCTION	Power: 70 CV
F0104_0_16990	HYDR. SYSTEM DOUBLE OIL SUCTION	Power: 80 CV, 90 CV
F0201_0_17025	HYDR. SYSTEM : HEAT EXCHANGER	Power: 70 CV
F0202_0_17043	HYDR. SYSTEM : HEAT EXCHANGER	Power: 80 CV, 90 CV
F0303_0_17147	STEERING HYDR. SYSTEM	Power: 70 CV, 80 CV, 90 CV
F0401_0_17228	PTO /DIFFERENTIAL LOCK HYDR. SYSTEM	Power: 70 CV, 80 CV, 90 CV
I0101_0_17291	HYDR. CONTROL VALVES: AVAILABLE PARTS	Power: 70 CV, 80 CV, 90 CV
L0101_0_17311	RAISE/LOWER LIFT	Power: 70 CV, 80 CV, 90 CV
L0205_1_17701	FREE DISCHARGE CONTROL VALVES VERSION	Power: 70 CV, 80 CV, 90 CV
L0206_1_17808	CONTROL VALVES WITHOUT FREE DISCHARGE VERSION	Power: 70 CV, 80 CV, 90 CV
M0101_0_17861	POSITION AND DRAFT CONTROL LIFT	Power: 70 CV, 80 CV, 90 CV
M0203_0_18066	FREE DISCHARGE CONTROL VALVES VERSION	Power: 70 CV, 80 CV, 90 CV
T0201_0_18228	IMPLEMENTS ATTACHMENT - STANDARD	Power: 70 CV, 80 CV, 90 CV
T0202_0_18267	IMPLEMENTS ATTACHMENT - STRAIGHT ARMS VERSION	Power: 70 CV, 80 CV, 90 CV
T0301_0_18310	PULL HOOK - STANDARD	Power: 70 CV, 80 CV, 90 CV
T0302_0_18319	POOL HOOK "EEC" APPROVED	Power: 70 CV, 80 CV, 90 CV
T0401_0_18328	FRONT BALLASTS	Power: 70 CV
T0402_0_18344	FRONT BALLASTS	Power: 80 CV, 90 CV
W0301_0_18442	WHEELS AND TYRES (TABLE 1/2)	Power: 70 CV, 80 CV, 90 CV
W0302_0_18466	WHEELS AND TYRES (TABLE 2/2)	



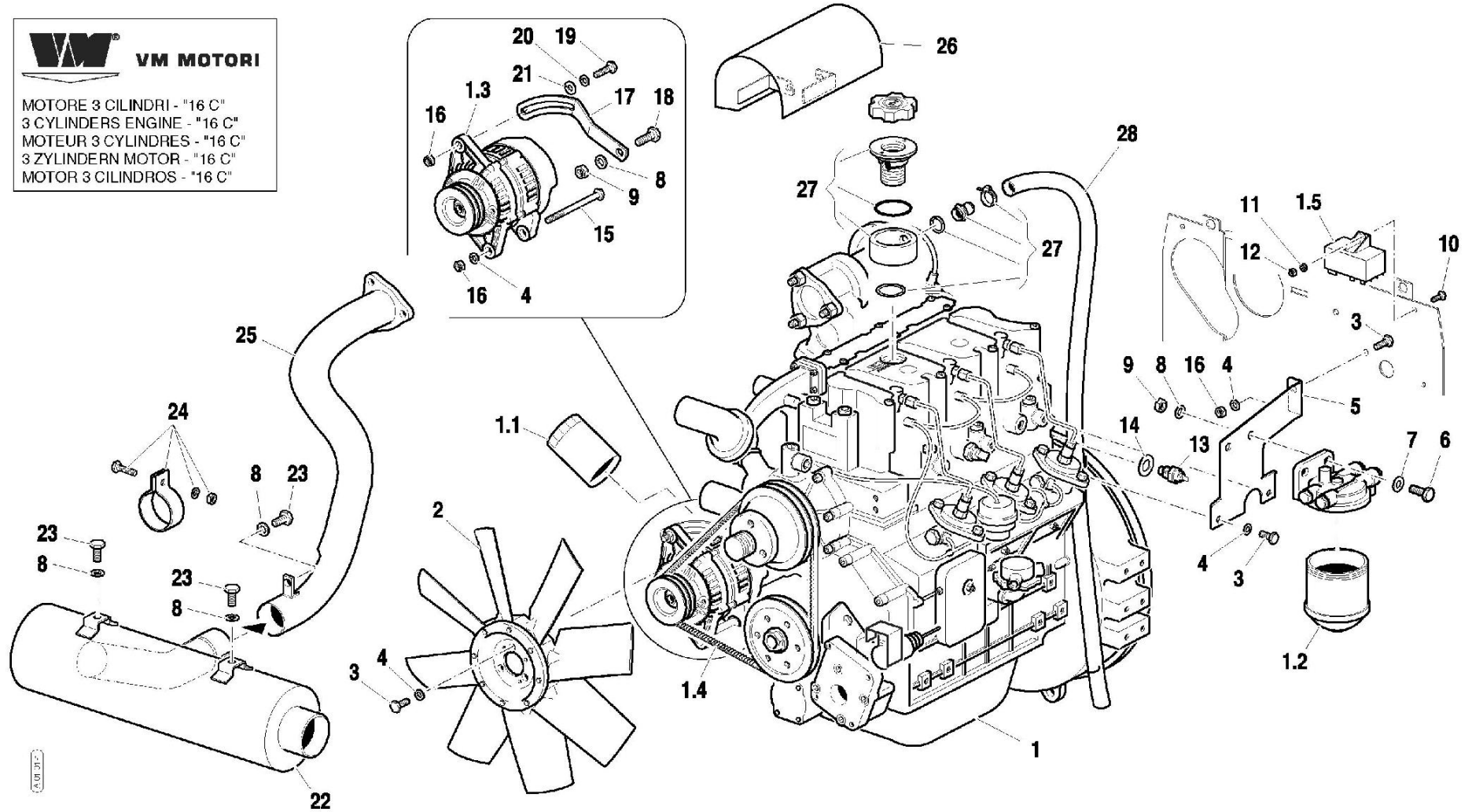
MOTORE
ENGINE
MOTEUR
MOTOR

Validità				
70				
RS-M	RS-R	MT	AR-M	AR-R
900632 →				

Tavola	Rev.	Data
A.01.01	1	05/2003

VM MOTORI

MOTORE 3 CILINDRI - "16 C"
3 CYLINDERS ENGINE - "16 C"
MOTEUR 3 CYLINDRES - "16 C"
3 ZYLINDER MOTOR - "16 C"
MOTOR 3 CILINDROS - "16 C"



Pos.	Code	Q.ty	Description	Notes
1	41T00001	0	MOTORE VM D703TE1.20A+SFIATO *	
1.1	58171199	0	OIL FILTER CARTRIDGE	
1.2	58171200	0	FUEL FILTER CARTRIDGE	
1.3	59900344	0	ALTERNATOR	
1.4	59900337	0	BELT	
1.5	59900345	0	CENTRAL PROCESSING UNIT	
2	58174959	0	FAN	
3	31112150	0	SCREW TE M8X20 UNI 5739 8G	
4	F0843643060	0	WASHER 8	
5	56175189	0	RETAINER	
6	31112219	0	SCREW TE M10X25 UNI 5739	
7	31411105	0	WASHER 10,5x21	
8	F0843755000	0	WASHER 10	
9	F0814632000	0	NUT M10	
10	31112090	0	SCREW TE M6X16 UNI 5739 8G	
11	F0843570000	0	WASHER 6	
12	31212060	0	NUT M6	
13	58170233	0	DIGITAL INSTRUMENT	
14	F0844030070	0	COPPER WASHER 16,0x22/1,5	
15	31112174	0	SCREW TE M8X110 UNI 5737 8.8	
16	F0814574000	0	NUT M8	
17	56174728	0	TENSION ROLLER	
18	31112211	0	SCREW TE M10X30 UNI 5739	
19	31112152	0	SCREW TE M8X30 UNI 5739 8G	
20	31421083	0	WASHER	
21	31411090	0	WASHER 9x24	
22	58174997	0	EXHAUST SILENCER	
23	31112210	0	SCREW TE M10X20 UNI 5739	
24	58175121	0	COLLAR	
25	59075722	0	EXHAUST	
26	59074627	0	GUARD	
27	59900357	0	DIGITAL INSTRUMENT	
28	58075607	0	OIL PIPE	

SERIAL
START
900632

ENGINE
Power: 70 CV

CODE REV
A0101_1_14653

FERRARI*Thor*MOTORE
ENGINE
MOTEUR
MOTOR

Validità

80

RS-M RS-R MT AR-M AR-R

900560 →

Tavola

A.01.02

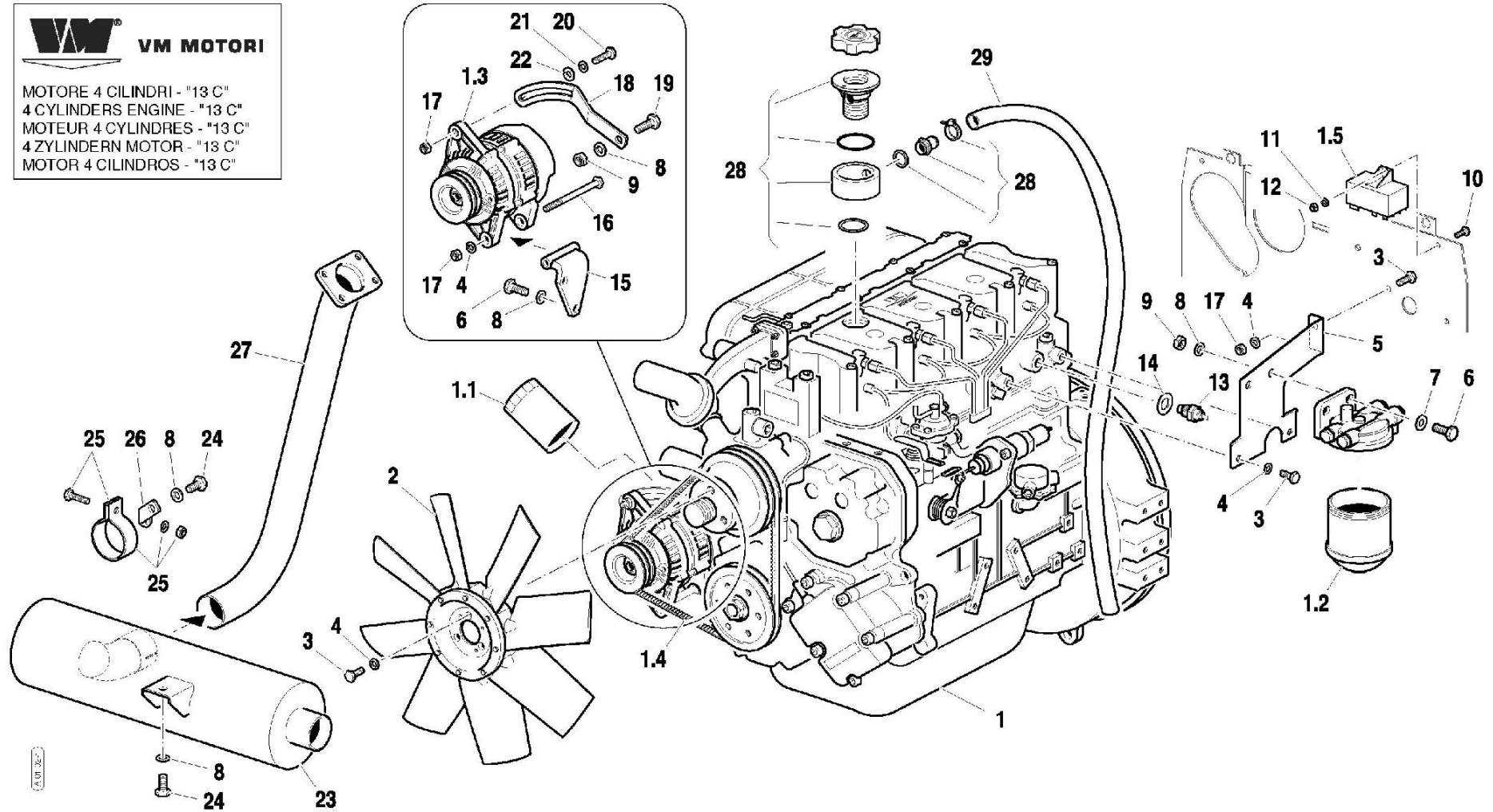
Rev.

1

Data

05/2003

1/1

**VM MOTORI**MOTORE 4 CILINDRI - "13 C"
4 CYLINDERS ENGINE - "13 C"
MOTEUR 4 CYLINDRES - "13 C"
4 ZYLINDER MOTOR - "13 C"
MOTOR 4 CILINDROS - "13 C"

Pos.	Code	Q.ty	Description	Notes
1	41S50001	0	MOTORE VM D754E1.20A+SFIATO *	
1.1	58171199	0	OIL FILTER CARTRIDGE	
1.2	58171200	0	FUEL FILTER CARTRIDGE	
1.3	59900344	0	ALTERNATOR	
1.4	59900337	0	BELT	
1.5	59900345	0	CENTRAL PROCESSING UNIT	
2	58174959	0	FAN	
3	31112150	0	SCREW TE M8X20 UNI 5739 8G	
4	F0843643060	0	WASHER 8	
5	56175189	0	RETAINER	
6	31112219	0	SCREW TE M10X25 UNI 5739	
7	31411105	0	WASHER 10,5x21	
8	F0843755000	0	WASHER 10	
9	F0814632000	0	NUT M10	
10	31112090	0	SCREW TE M6X16 UNI 5739 8G	
11	F0843570000	0	WASHER 6	
12	31212060	0	NUT M6	
13	58170233	0	DIGITAL INSTRUMENT	
14	F0844030070	0	COPPER WASHER 16,0x22/1,5	
15	59074727	0	SUPPORT	
16	31112174	0	SCREW TE M8X110 UNI 5737 8.8	
17	F0814574000	0	NUT M8	
18	56174728	0	TENSION ROLLER	
19	31112211	0	SCREW TE M10X30 UNI 5739	
20	31112152	0	SCREW TE M8X30 UNI 5739 8G	
21	31421083	0	WASHER	
22	31411090	0	WASHER 9x24	
23	58174612	0	EXHAUST SILENCER	
24	31112210	0	SCREW TE M10X20 UNI 5739	
25	58175121	0	COLLAR	
26	56075120	0	BRACKET	
27	59074624	0	EXHAUST	
28	59900357	0	DIGITAL INSTRUMENT	
29	58075607	0	OIL PIPE	

SERIAL
START
900560

ENGINE
Power: 80 CV

CODE REV
A0102_1_14720

FERRARI*Thor*MOTORE
ENGINE
MOTEUR
MOTOR

Validità

				90
RS-M	RS-R	MT	AR-M	AR-R
900302				→

Tavola

A.01.03

Rev.

1

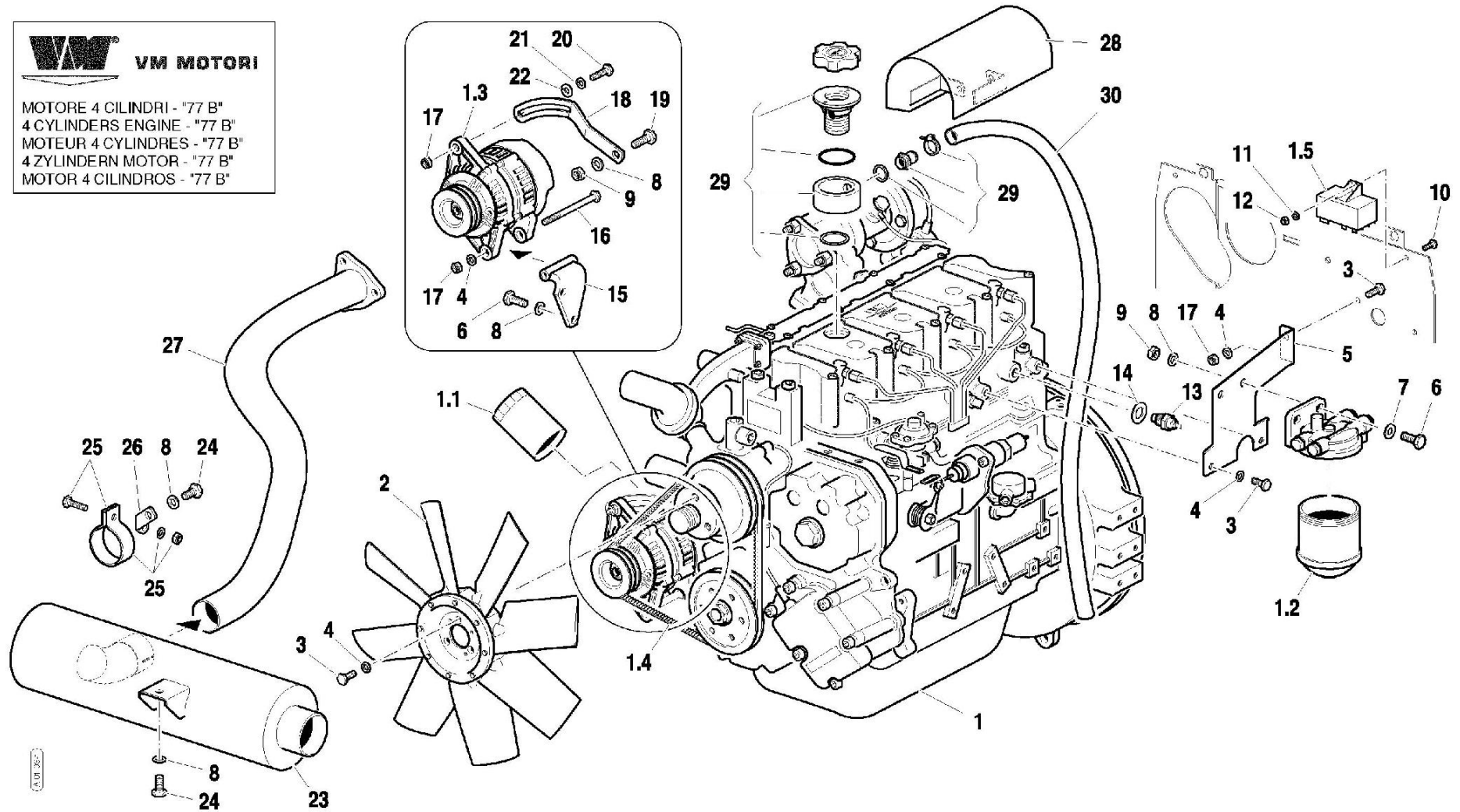
Data

05/2003

1/1

**VM MOTORI**

MOTORE 4 CILINDRI - "77 B"
 4 CYLINDERS ENGINE - "77 B"
 MOTEUR 4 CYLINDRES - "77 B"
 4 ZYLINDER MOTOR - "77 B"
 MOTOR 4 CILINDROS - "77 B"



Pos.	Code	Q.ty	Description	Notes
1	41S60001	0	MOTORE VM D704LTE.20A+SFIATO *	
1.1	58171199	0	OIL FILTER CARTRIDGE	
1.2	58171200	0	FUEL FILTER CARTRIDGE	
1.3	59900344	0	ALTERNATOR	
1.4	59900337	0	BELT	
1.5	59900345	0	CENTRAL PROCESSING UNIT	
2	58174959	0	FAN	
3	31112150	0	SCREW TE M8X20 UNI 5739 8G	
4	F0843643060	0	WASHER 8	
5	56175189	0	RETAINER	
6	31112219	0	SCREW TE M10X25 UNI 5739	
7	31411105	0	WASHER 10,5x21	
8	F0843755000	0	WASHER 10	
9	F0814632000	0	NUT M10	
10	31112090	0	SCREW TE M6X16 UNI 5739 8G	
11	F0843570000	0	WASHER 6	
12	31212060	0	NUT M6	
13	58170233	0	DIGITAL INSTRUMENT	
14	F0844030070	0	COPPER WASHER 16,0x22/1,5	
15	59074727	0	SUPPORT	
16	31112174	0	SCREW TE M8X110 UNI 5737 8.8	
17	F0814574000	0	NUT M8	
18	56174728	0	TENSION ROLLER	
19	31112211	0	SCREW TE M10X30 UNI 5739	
20	31112152	0	SCREW TE M8X30 UNI 5739 8G	
21	31421083	0	WASHER	
22	31411090	0	WASHER 9x24	
23	58174613	0	EXHAUST SILENCER	
24	31112210	0	SCREW TE M10X20 UNI 5739	
25	58175121	0	COLLAR	
26	56075120	0	BRACKET	
27	59075072	0	EXHAUST	
28	59074627	0	GUARD	
29	59900357	0	DIGITAL INSTRUMENT	

SERIAL
START
900302

ENGINE
Power: 90 CV

CODE REV
A0103_1_14789

FERRARI*Thor*MOTORE
ENGINE
MOTEUR
MOTOR

Validità

				90
RS-M	RS-R	MT	AR-M	AR-R
900302				→

Tavola

A.01.03

Rev.

1

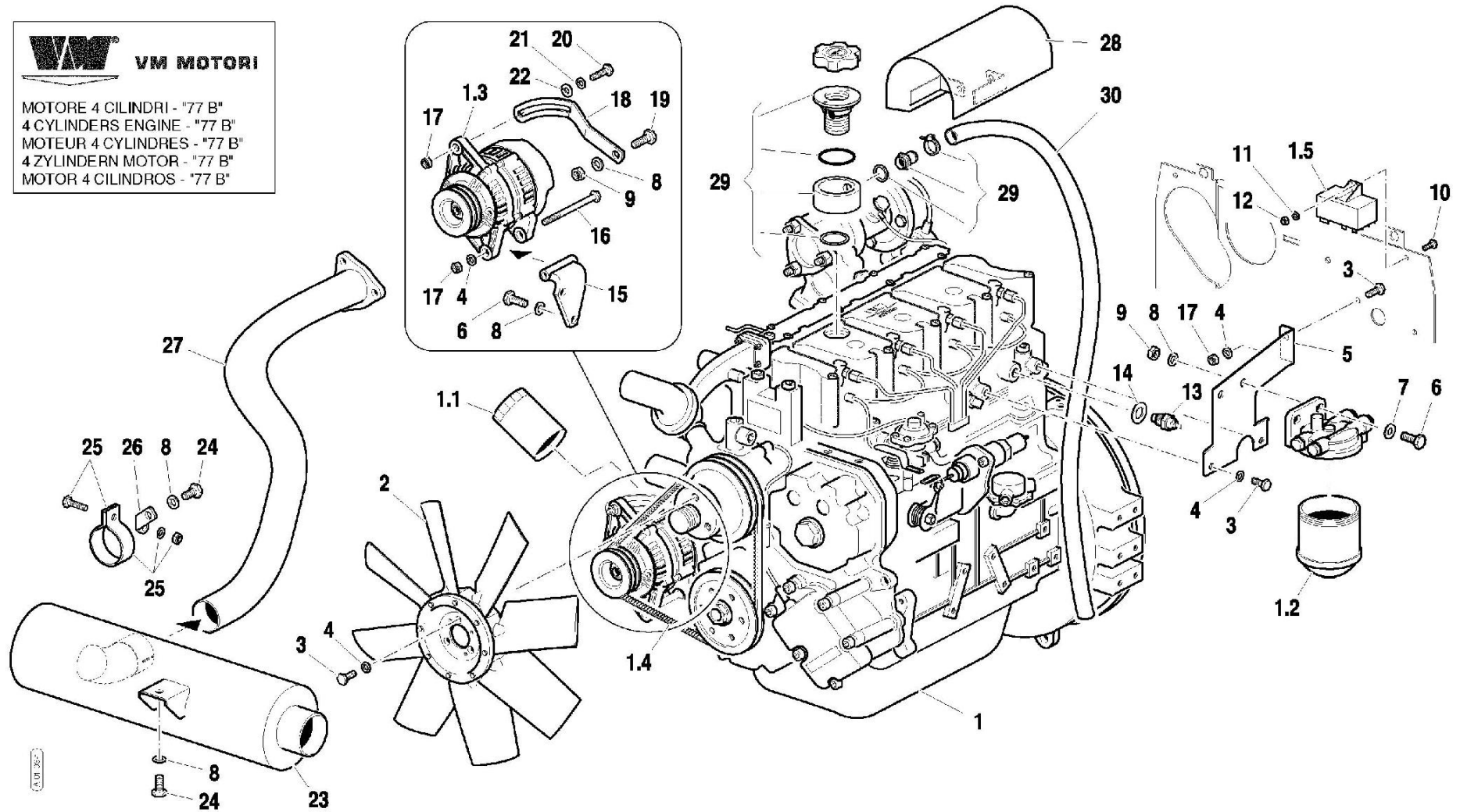
Data

05/2003

1/1

**VM MOTORI**

MOTORE 4 CILINDRI - "77 B"
 4 CYLINDERS ENGINE - "77 B"
 MOTEUR 4 CYLINDRES - "77 B"
 4 ZYLINDER MOTOR - "77 B"
 MOTOR 4 CILINDROS - "77 B"



Pos.	Code	Q.ty	Description	Notes
30	58075607	0	OIL PIPE	

SERIAL
START
900302

ENGINE
Power: 90 CV

CODE REV
A0103_1_14789

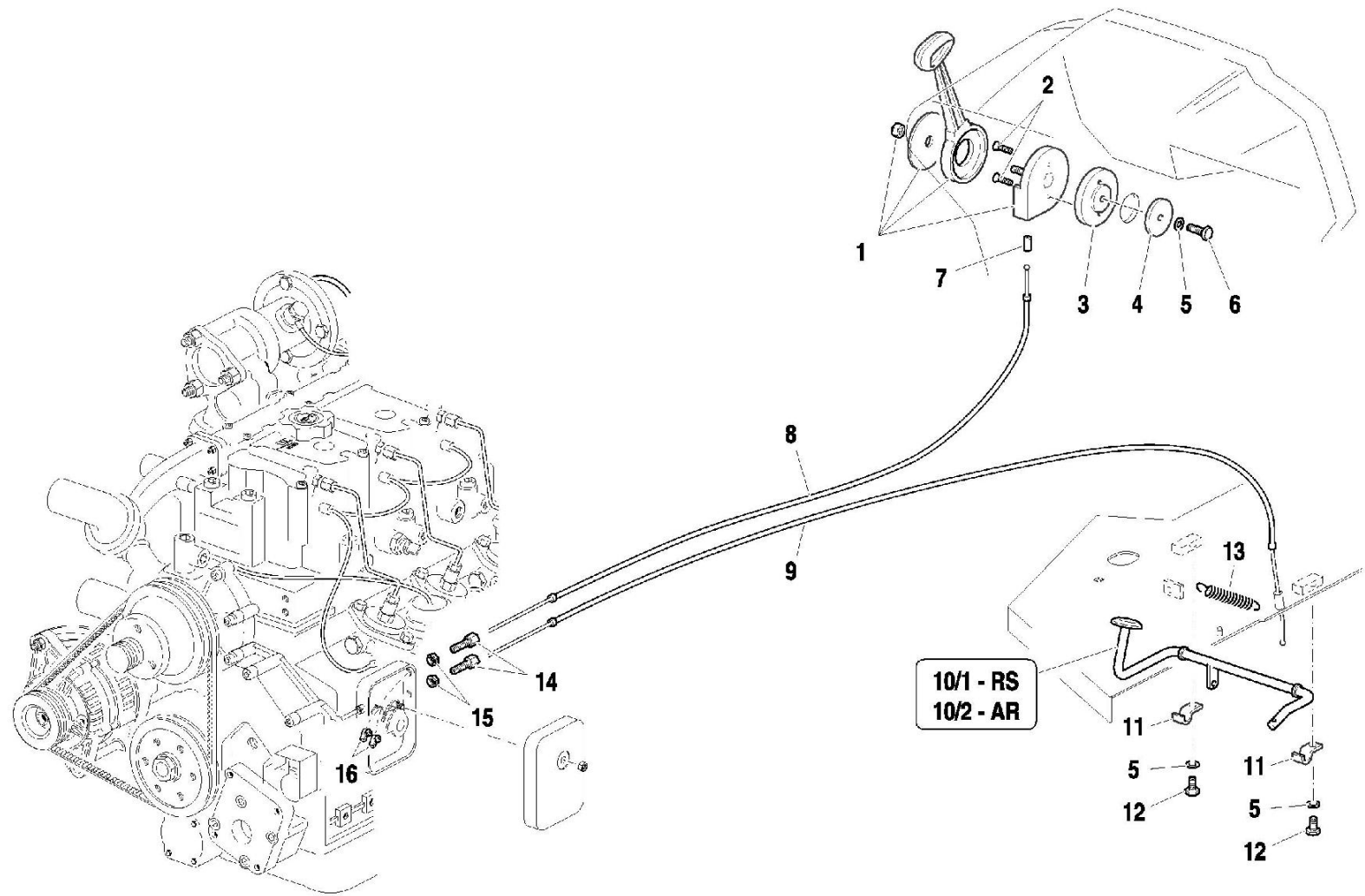


COMANDI MOTORE
ENGINE CONTROLS
COMMANDES MOTEUR
MOTOR ANTRIEBE
MANDOS MOTOR

Validità	
70	
RS-M	AR-M

Tavola	Rev.
A.02.01	0

Data
05/2003



10/1 - RS
10/2 - AR

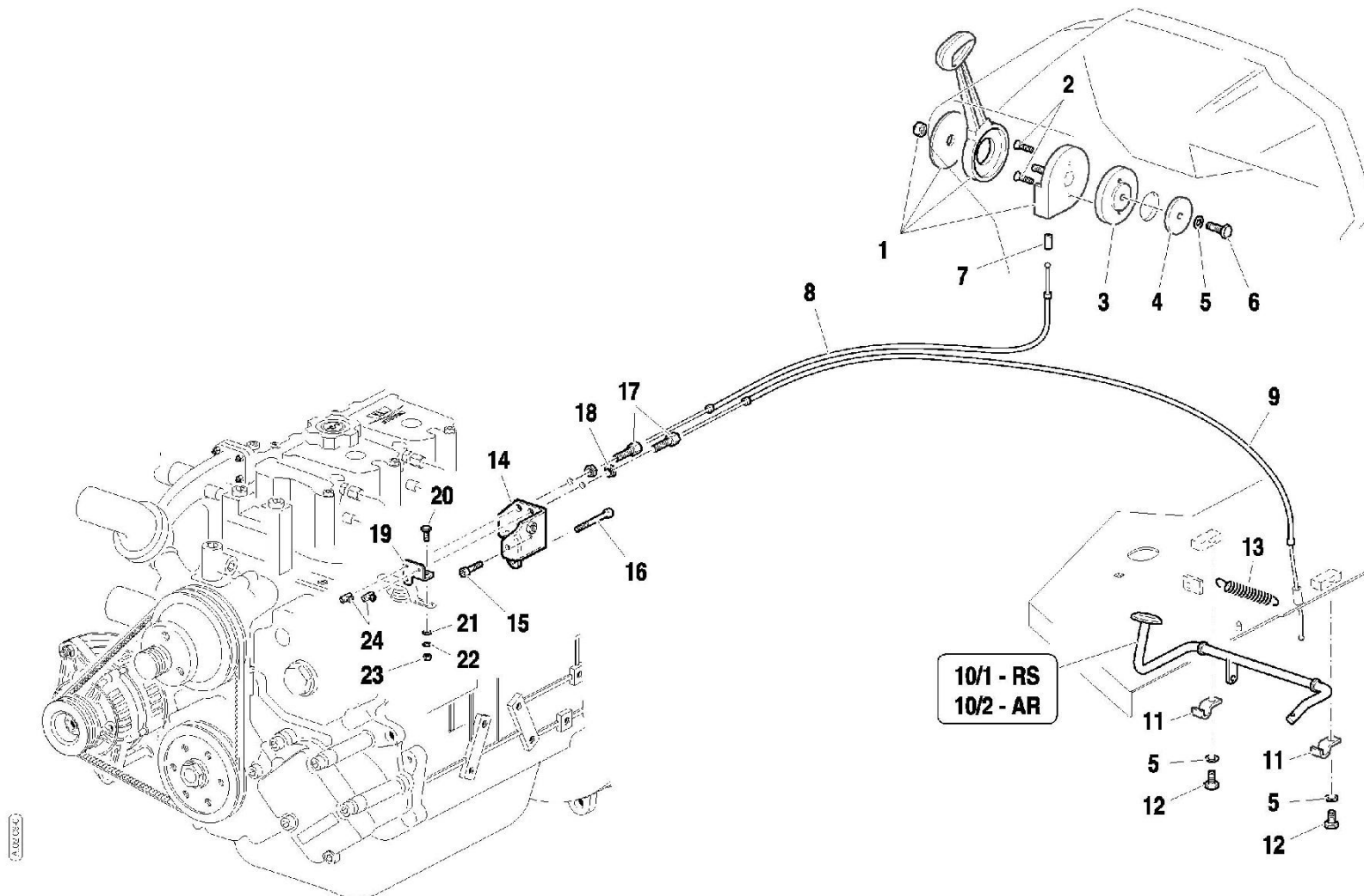
Pos.	Code	Q.ty	Description	Notes
1	F0828029070	0	ACCELERATOR	
2	31132562	0	SCREW TSVEI M6X16 UNI 5933	
3	56171877	0	FLANGE	
4	56171883	0	LOCK WASHER D.45x9/4	
5	F0843643060	0	WASHER 8	
6	31112150	0	SCREW TE M8X20 UNI 5739 8G	
7	F0858520000	0	SLEEVE	
8	58074825	0	CABLE	
9	58072074	0	CABLE	
10/1	59074346	0	ACCEL. PEDAL	
10/2	59073681	0	ACCEL. PEDAL	
11	56071768	0	PLATE	
12	31112148	0	SCREW TE M8X18 UNI 5739 8G	
13	F0831125000	0	SPRING	
14	F0858021000	0	REGISTER	
15	31231080	0	NUT M8	
16	58048002	0	CLAMPING SCREW	



COMANDI MOTORE
ENGINE CONTROLS
COMMANDES MOTEUR
MOTOR ANTRIEBE
MANDOS MOTOR

Validità	
80	90
RS-M	AR-M

Tavola	Rev.	Data
A.02.03	0	05/2003



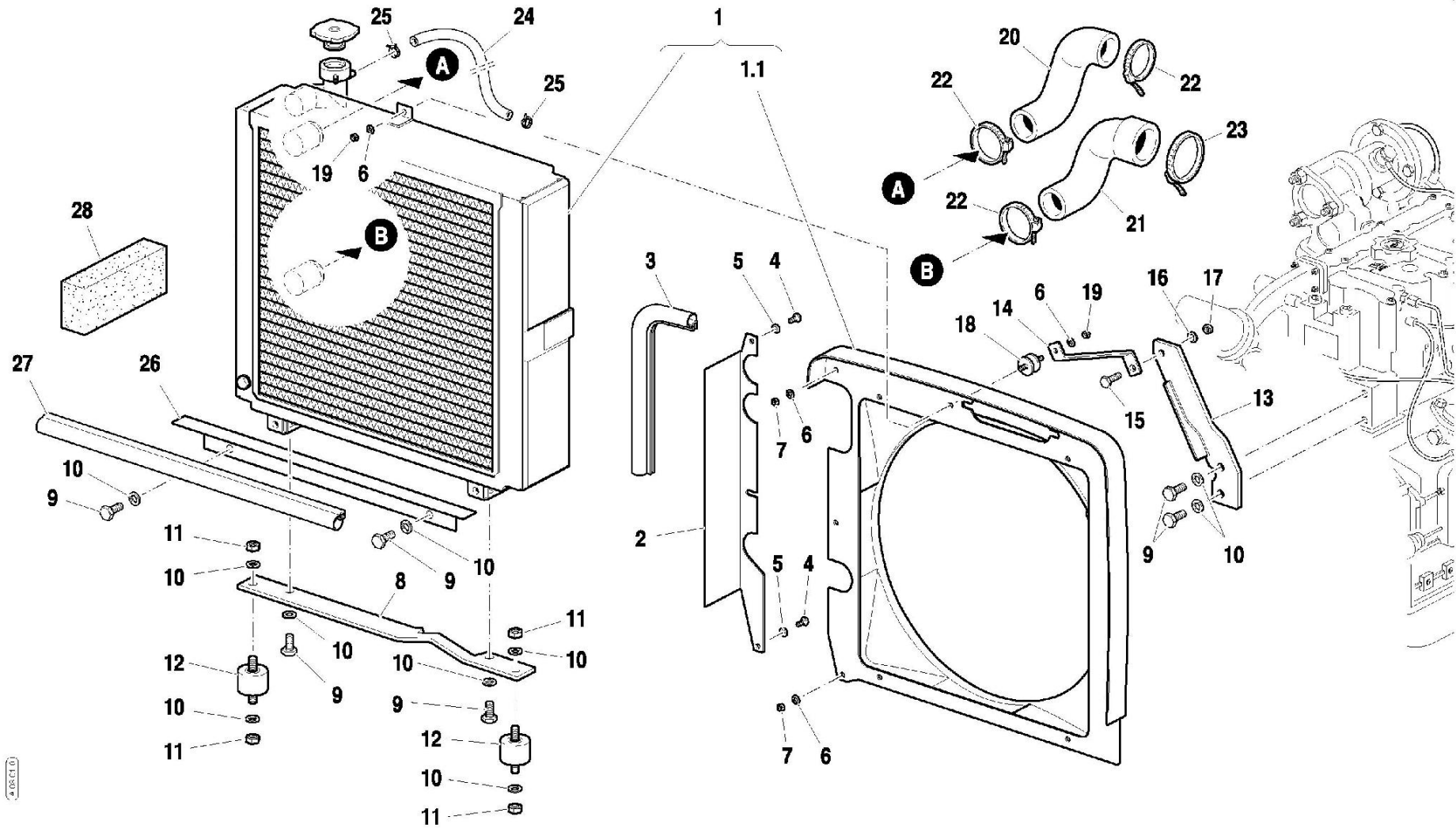
Pos.	Code	Q.ty	Description	Notes
1	F0828029070	0	ACCELERATOR	
2	31132562	0	SCREW TSVEI M6X16 UNI 5933	
3	56171877	0	FLANGE	
4	56171883	0	LOCK WASHER D.45x9/4	
5	F0843643060	0	WASHER 8	
6	31112150	0	SCREW TE M8X20 UNI 5739 8G	
7	F0858520000	0	SLEEVE	
8	58074825	0	CABLE	
9	58072074	0	CABLE	
10/1	59074346	0	ACCEL. PEDAL	
10/2	59073681	0	ACCEL. PEDAL	
11	56071768	0	PLATE	
12	31112148	0	SCREW TE M8X18 UNI 5739 8G	
13	F0831125000	0	SPRING	
14	56174661	0	BRACKET	
15	31152060	0	SCREW TCEI M6X30 UNI 5931	
16	31152068	0	SCREW TCEI M6X55 UNI 5931	
17	F0858021000	0	REGISTER	
18	31231080	0	NUT M8	
19	56174660	0	CONNECTION	
20	31112051	0	SCREW TE M5X14 UNI 5739 8G	
21	31411053	0	WASHER 5,3x10	
22	F0843561000	0	WASHER 5	
23	31211050	0	NUT M5	
24	58048002	0	CLAMPING SCREW	



RADIATORE
COOLER
RADIATEUR
KÜHLER
RADIADOR

Validità				
70				
RS-M	RS-R	MT	AR-M	AR-R

Tavola	Rev.	Data
A.03.01	0	05/2003



Pos.	Code	Q.ty	Description	Notes
1	58175023	0	RADIATOR	
1.1	58175025	0	DUCT	
2	56175194	0	HOLDING	
3	P00000026000	0	GASKET	
4	31112082	0	SCREW TE M6X12 UNI 5739 8G	
5	31411064	0	WASHER 6,4x12,5	
6	F0843570000	0	WASHER 6	
7	31211060	0	NUT M6	
8	56174994	0	RETAINER	
9	31112210	0	SCREW TE M10X20 UNI 5739	
10	F0843755000	0	WASHER 10	
11	F0814632000	0	NUT M10	
12	58174356	0	SILENT-BLOCK	
13	59074996	0	FIXING BRACKET	
14	56174631	0	FIXING BRACKET	
15	31112151	0	SCREW TE M8X25 UNI 5739 8G	
16	F0843643060	0	WASHER 8	
17	F0814574000	0	NUT M8	
18	F0849206005	0	SILENT-BLOCK	
19	F0814545000	0	NUT M6	
20	55174632	0	SLEEVE	
21	55174633	0	SLEEVE	
22	F0817535000	0	CLAMP	
23	F0817550000	0	CLAMP	
24	58070873	0	VENT HOSE	
25	F0817512000	0	CLAMP	
26	56174995	0	HOLDING	
28	57375461	0	CELLULAR FOAM	

SERIAL

COOLER
Power: 70 CV

CODE REV

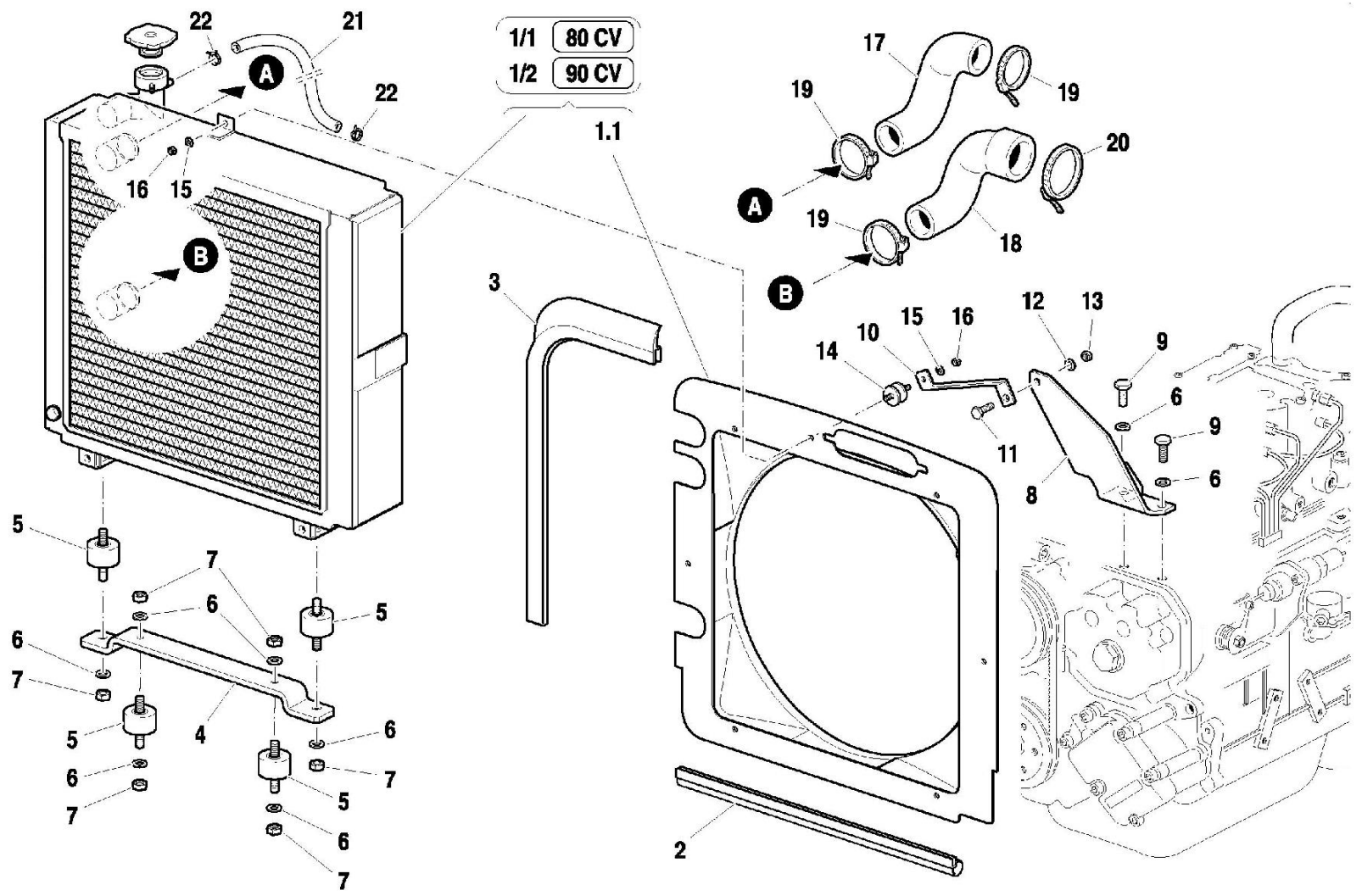
A0301_0_14926



RADIATORE
COOLER
RADIATEUR
KÜHLER
RADIADOR

Validità				
	80	90		
RS-M	RS-R	MT	AR-M	AR-R

Tavola	Rev.	Data
A.03.02	0	05/2003



1050701

Pos.	Code	Q.ty	Description	Notes
1/1	58174605	0	RADIATOR	
1.1	58175085	0	DUCT	
1/2	58174604	0	RADIATOR	
2	P00000026000	0	GASKET	
3	F0256809050	0	GASKET	
4	56174629	0	FIXING BRACKET	
5	58174608	0	SILENT-BLOCK	
6	F0843755000	0	WASHER 10	
7	F0814632000	0	NUT M10	
8	59074630	0	FIXING BRACKET	
9	31112219	0	SCREW TE M10X25 UNI 5739	
10	56174631	0	FIXING BRACKET	
11	31112151	0	SCREW TE M8X25 UNI 5739 8G	
12	F0843643060	0	WASHER 8	
13	F0814574000	0	NUT M8	
14	F0849206005	0	SILENT-BLOCK	
15	F0843570000	0	WASHER 6	
16	F0814545000	0	NUT M6	
17	55174632	0	SLEEVE	
18	55174633	0	SLEEVE	
19	F0817535000	0	CLAMP	
20	F0817550000	0	CLAMP	
21	58074874	0	VENT HOSE	
22	F0817512000	0	CLAMP	

SERIAL

COOLER

Power: 80 CV, 90 CV

CODE REV

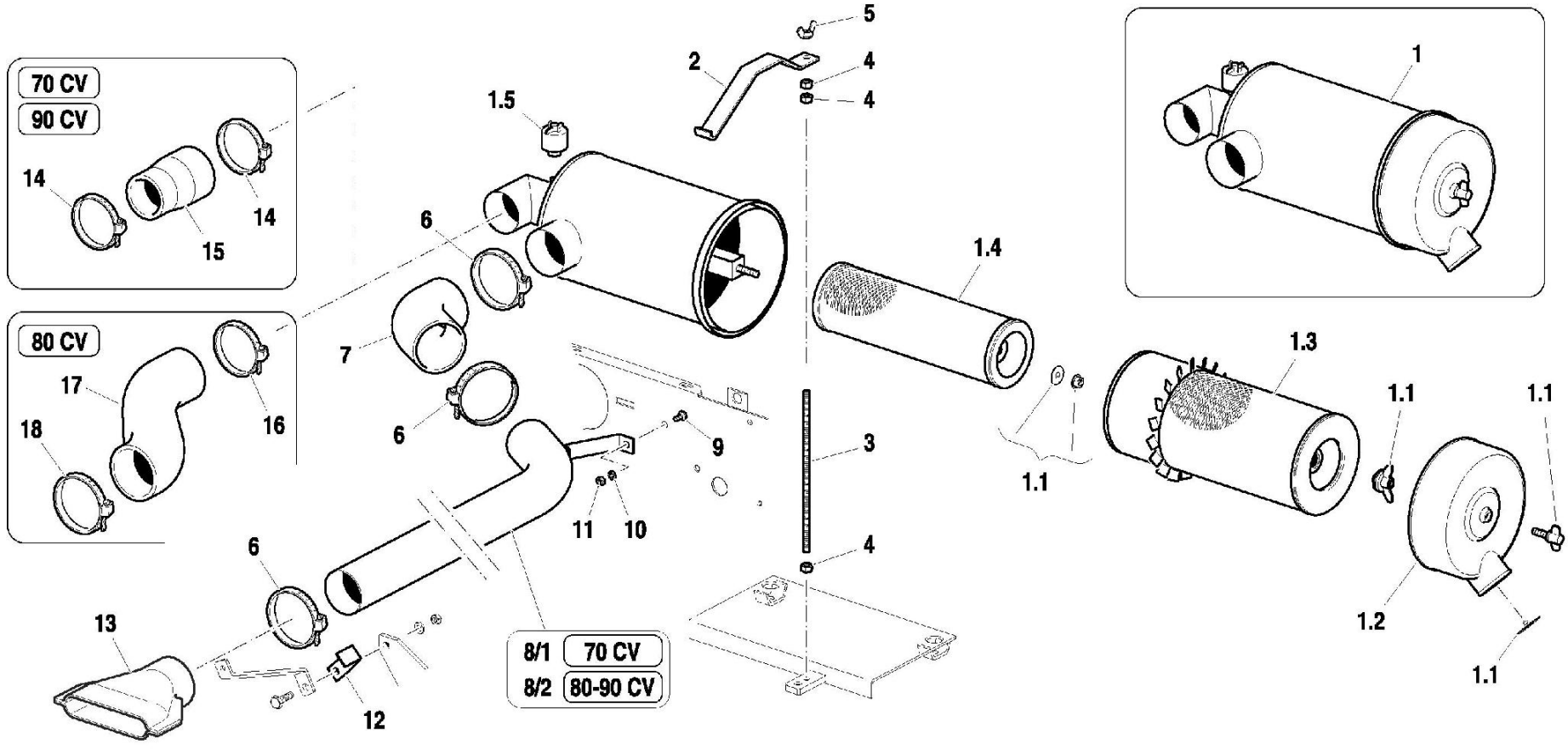
A0302_0_14955



FILTRO ARIA
 AIR FILTER
 FILTRE À AIR
 LUFTFILTER
 FILTRO DEL AIRE

Validità				
70	80	90		
RS-M	RS-R	MT	AR-M	AR-R

Tavola	Rev.	Data
A.04.01	0	05/2003



Pos.	Code	Q.ty	Description	Notes
1	58172359	0	AIR FILTER	
1.1	59900353	0	KIT	
1.2	59900347	0	COVER	
1.3	58171028	0	CARTOUCHE	
1.4	58171027	0	CARTOUCHE	
1.5	58173165	0	INDICATOR	
2	56174636	0	FIXING BRACKET	
3	56174635	0	ROD	
4	F0814574000	0	NUT M8	
5	31200501	0	NUT M8	
6	F0817568100	0	CLAMP	
7	55172355	0	SLEEVE	
8/1	59075190	0	PIPE	
8/2	59074638	0	PIPE	
9	31112082	0	SCREW TE M6X12 UNI 5739 8G	
10	F0843570000	0	WASHER 6	
11	F0814574000	0	NUT M8	
12	56174637	0	FIXING BRACKET	
13	57372341	0	SOCKET	
14	F0817568000	0	CLAMP	
15	55174760	0	SLEEVE	
16	F0817568000	0	CLAMP	
17	55174761	0	SLEEVE	
18	F0817568100	0	CLAMP	

SERIAL

AIR FILTER

Power: 70 CV, 80 CV, 90 CV

CODE REV

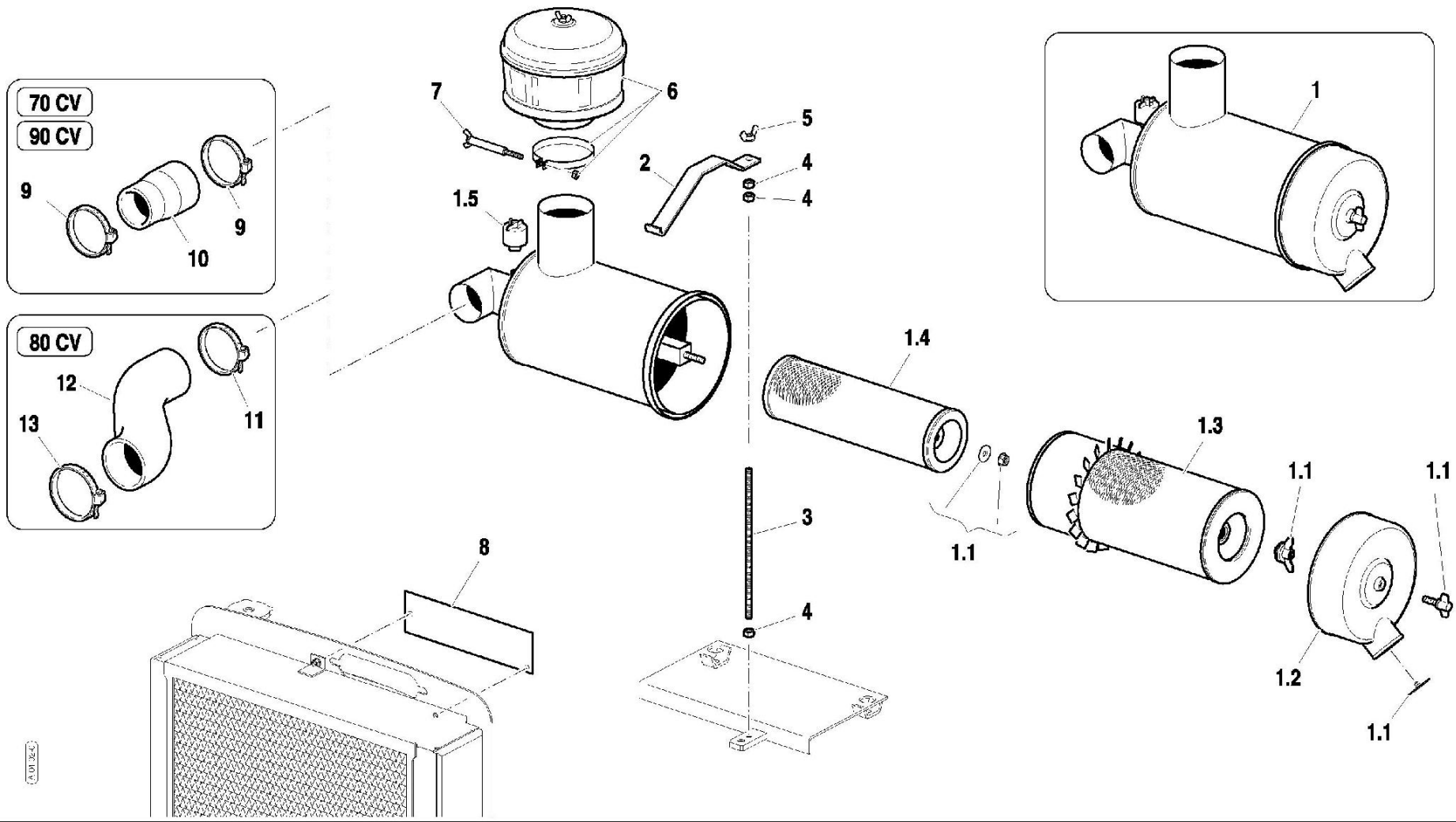
A0401_0_14980



FILTRO ARIA CON PRESA D'ARIA ESTERNA
 AIR FILTER WITH EXTERNAL AIR INTAKE
 FILTRE À AIR AVEC PRISE DE L'AIR EXTÉRIEUR
 LUFILTER MIT AUSSENLUFTKLAPPE
 FILTRO DE AIRE CON TOMA DE AIRE EXTERNA

Validità				
70	80	90		
RS-M	RS-R	MT	AR-M	AR-R

Tavola	Rev.	Data
A.04.02	0	05/2003



A.01.26.5

Pos.	Code	Q.ty	Description	Notes
1	58175044	0	AIR FILTER	
1.1	59900353	0	KIT	
1.2	59900347	0	COVER	
1.3	58171028	0	CARTOUCHE	
1.4	58171027	0	CARTOUCHE	
1.5	58173165	0	INDICATOR	
2	56174636	0	FIXING BRACKET	
3	56174635	0	ROD	
4	F0814574000	0	NUT M8	
5	31200501	0	NUT M8	
6	58171069	0	PRECLEANER	
7	59073184	0	SCREW	
8	56174976	0	STRIKER PLATE	
9	F0817568000	0	CLAMP	
10	55174760	0	SLEEVE	
11	F0817568000	0	CLAMP	
12	55174761	0	SLEEVE	
13	F0817568100	0	CLAMP	

SERIAL

AIR FILTER WITH EXTERNAL AIR INTAKE

Power: 70 CV, 80 CV, 90 CV

CODE REV

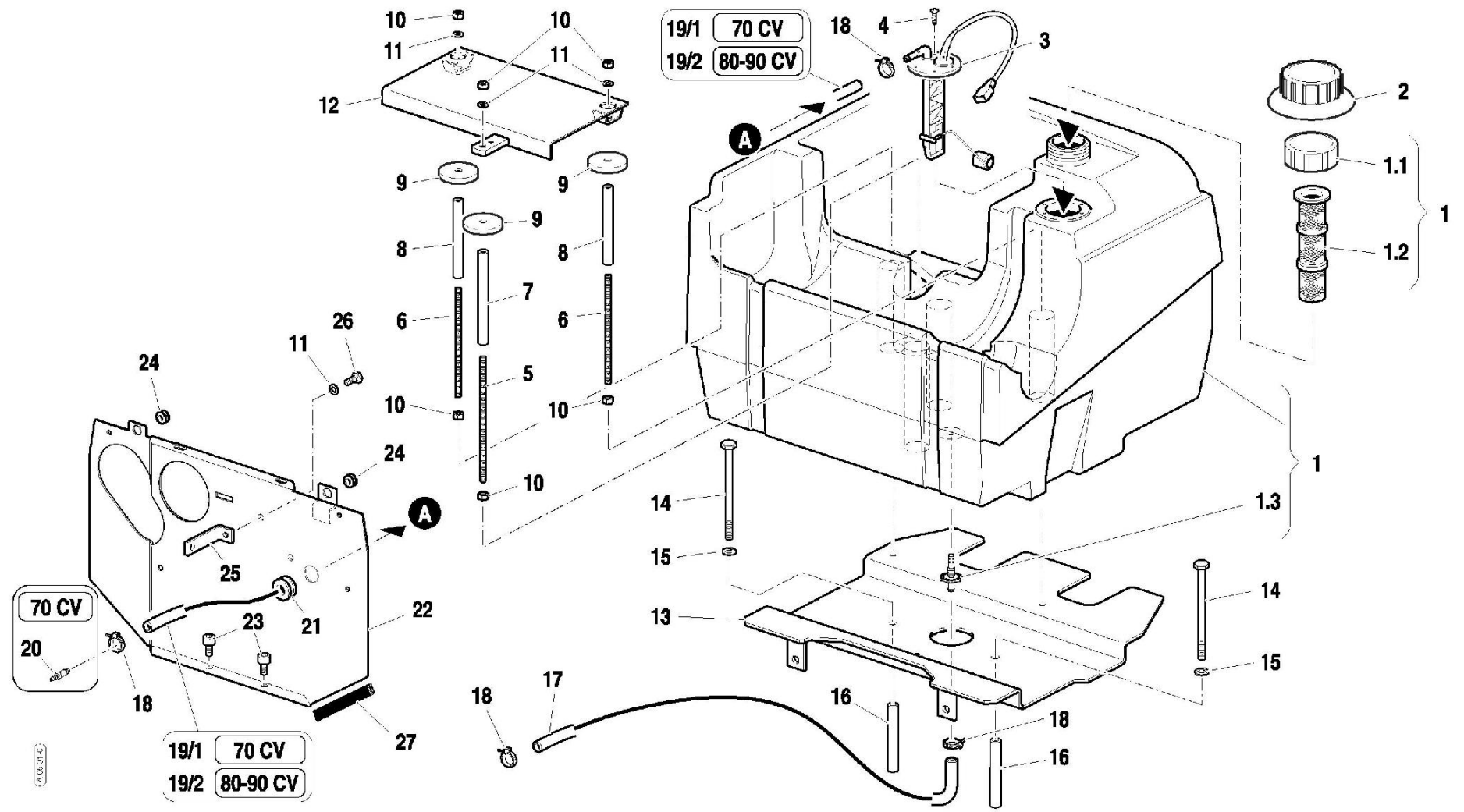
A0402_0_15005



SERBATOIO COMBUSTIBILE
 FUEL TANK
 RÉSERVOIR À COMBUSTIBLE
 KRAFTSTOFFTANK
 DEPOSITO COMBUSTIBILE

Validità				
70	80	90		
RS-M	RS-R	MT	AR-M	AR-R

Tavola	Rev.	Data
A.05.01	0	05/2003



Pos.	Code	Q.ty	Description	Notes
1	55274314	0	FUEL TANK	
1.1	F0849500001	0	TANK COVER	
1.2	F0849500002	0	FILTER	
1.3	57174915	0	PIPE FITTING	
2	57371900	0	LINING	
3	58170238	0	CONTROL	
4	F0861867050	0	SCREW M4,2X19 DIN 7981	
5	56174619	0	ROD	
6	56174620	0	ROD	
7	56174621	0	SPACER	
8	56174622	0	SPACER	
9	56170275	0	SPACER	
10	F0814574000	0	NUT M8	
11	F0843643060	0	WASHER 8	
12	59074639	0	BATTERY SUPPORT	
13	59072380	0	SUPPORT	
14	31111218	0	SCREW TE M10X140 UNI 5737 8G	
15	F0843755000	0	WASHER 10	
16	56170276	0	SPACER	
17	58070690	0	PIPE	
18	F0817512000	0	CLAMP	
19/1	58075193	0	FLEXIBLE HOSE	
19/2	58074895	0	PIPE	
20	56172950	0	PIPE FITTING	
21	58171901	0	CABLE GLAND 15,5-24-32-2	
22	59074617	0	DIVISION	
23	F0862464050	0	SCREW UNI 5931	
24	F0825414000	0	CABLE GLAND 7-15-18,5-2,5	
25	56174618	0	FIXING BRACKET	
26	31112150	0	SCREW TE M8X20 UNI 5739 8G	
27	F0256808000	0	FLAT BAND	

SERIAL

FUEL TANK

Power: 70 CV, 80 CV, 90 CV

CODE REV

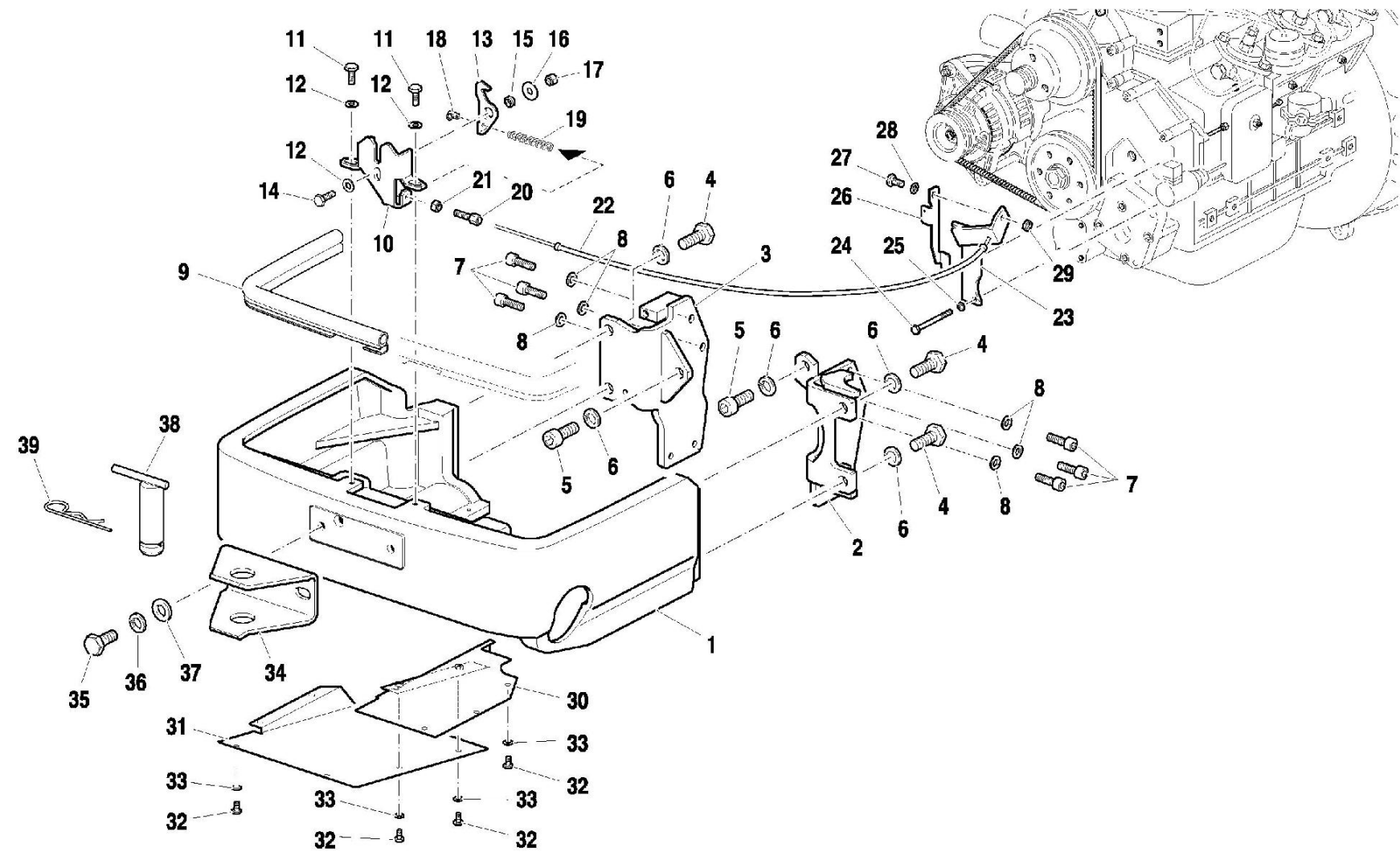
A0501_0_15024



SUPPORTO ANTERIORE
FRONT SUPPORT
SUPPORT ANTERIEUR
VORDERLAGER
SOPORTE ANTERIOR

Validità				
70				
RS-M	RS-R	MT	AR-M	AR-R

Tavola	Rev.	Data
B.01.01	0	05/2003



01010

Pos.	Code	Q.ty	Description	Notes
1	51175000	0	FRONT SUPPORT	
2	59075541	0	LEFT BRACKET	
3	59075542	0	RIGHT YOKE	
4	31112328	0	SCREW TE M14X35 UNI 5739	
5	F0864203050	0	SCREW M14X35 UNI5931	
6	F0843921030	0	WASHER 14	
7	31152097	0	SCREW TCEI M10X30 UNI 5931	
8	F0843755000	0	WASHER 10	
9	58174882	0	HOOD SEAL	
10	56174657	0	FIXING BRACKET	
11	31112150	0	SCREW TE M8X20 UNI 5739 8G	
12	31411084	0	WASHER 8,4x17	
13	56174658	0	HOOD HOOK	
14	31112151	0	SCREW TE M8X25 UNI 5739 8G	
15	56174659	0	SPACER	
16	31411090	0	WASHER 9x24	
17	31241080	0	SELFLOCK NUT M8	
18	58048002	0	CLAMPING SCREW	
19	F0831065000	0	SPRING	
20	F0858021000	0	REGISTER	
21	31231080	0	NUT M8	
22	58075231	0	CABLE	
23	59075208	0	SUPPORT	
24	31112097	0	SCREW TE M6X70 UNI 5737 8G	
25	F0843570000	0	WASHER 6	
26	56174691	0	LEVER	
27	31111151	0	SCREW TE M8X16 UNI 5739 8G	
28	F0843643060	0	WASHER 8	
29	F0814569000	0	NUT M8 UNI 5589 CL:8	
30	59075242	0	SHIELD	
31	56175243	0	SHIELD	
32	31112082	0	SCREW TE M6X12 UNI 5739 8G	
33	F0843570000	0	WASHER 6	
34	56174873	0	TOW HOOK	

SERIAL

FRONT SUPPORT

Power: 70 CV

CODE REV

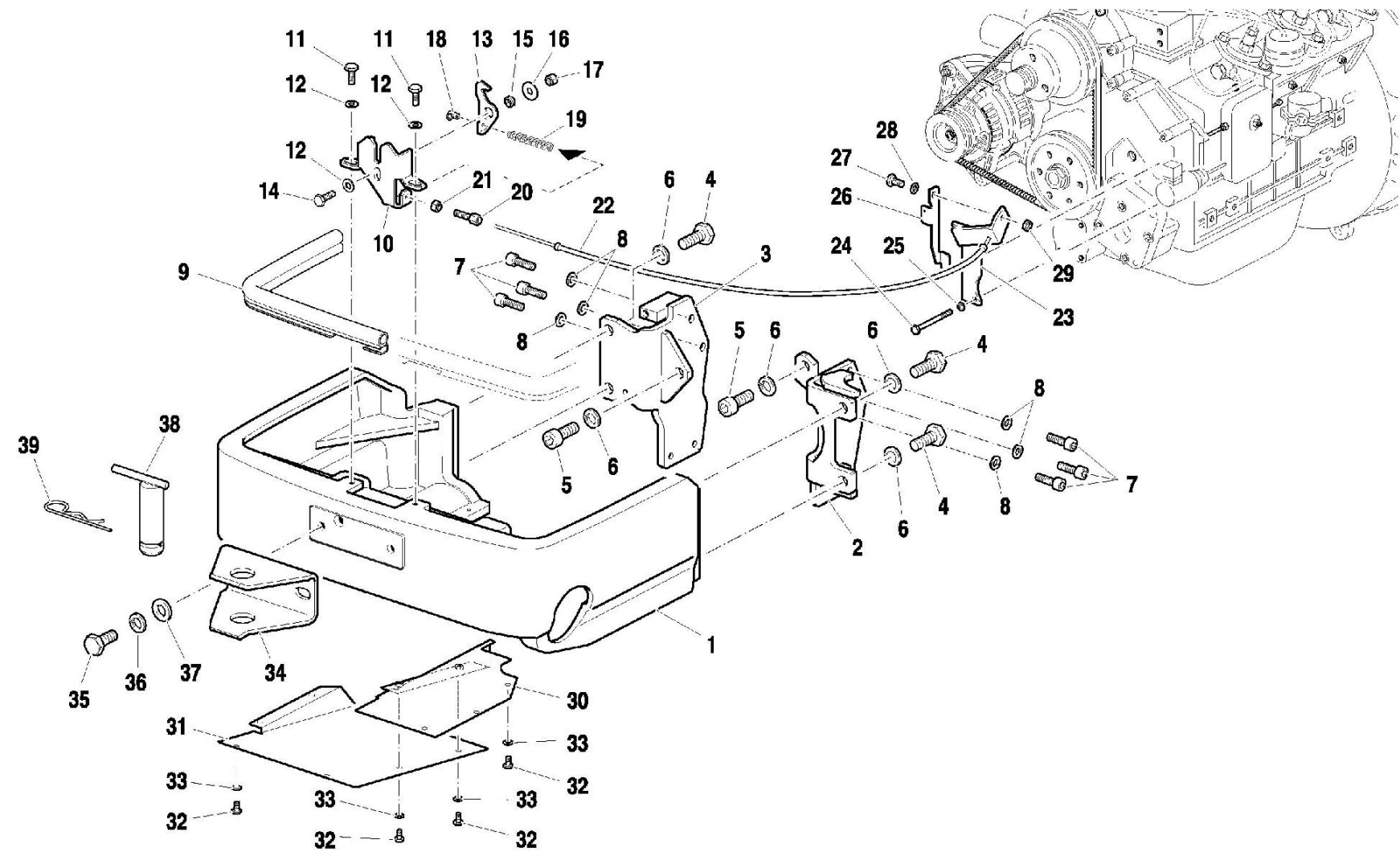
B0101_0_15056



SUPPORTO ANTERIORE
FRONT SUPPORT
SUPPORT ANTERIEUR
VORDERLAGER
SOPORTE ANTERIOR

Validità				
70				
RS-M	RS-R	MT	AR-M	AR-R

Tavola	Rev.	Data
B.01.01	0	05/2003



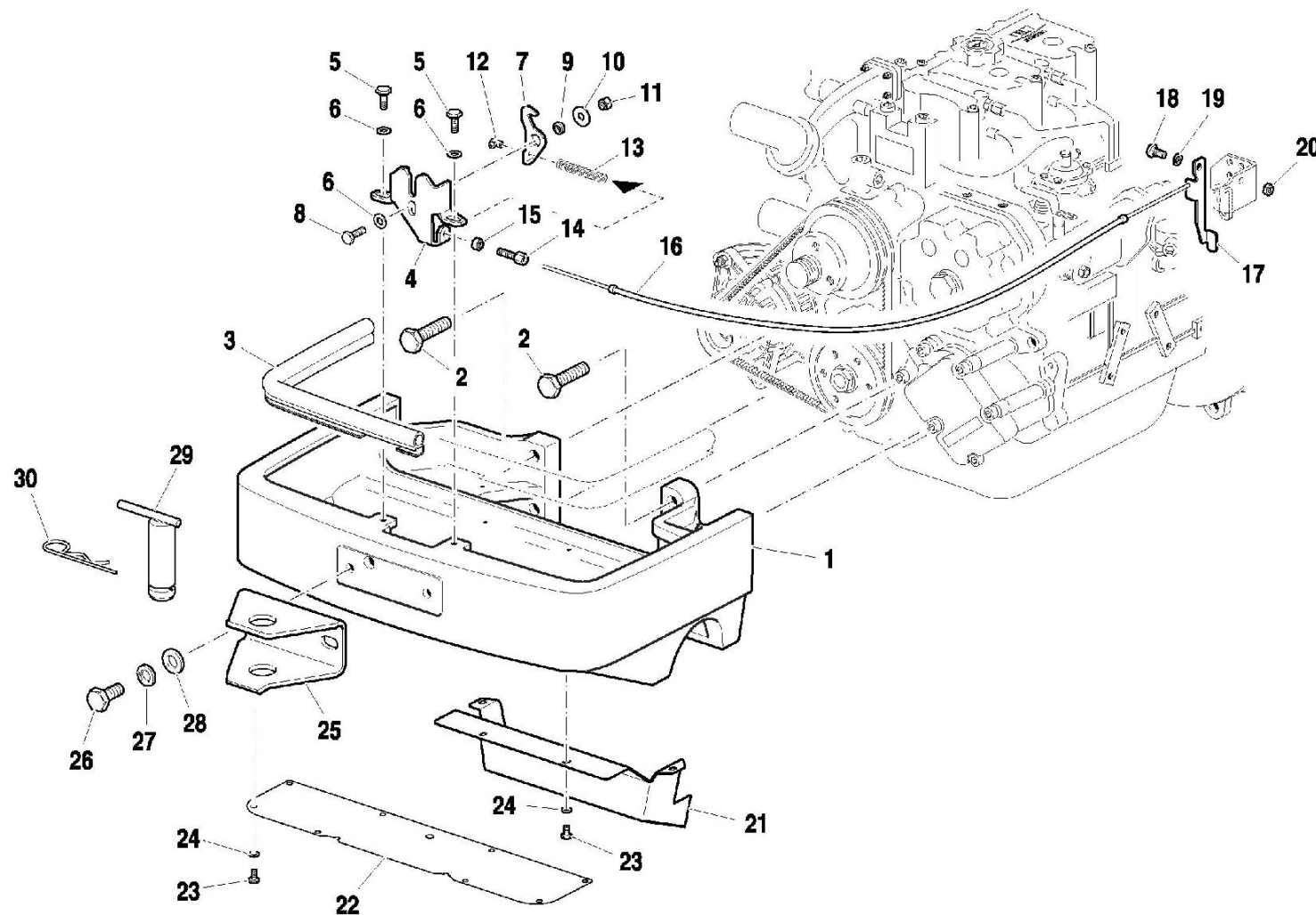
Pos.	Code	Q.ty	Description	Notes
35	31112328	0	SCREW TE M14X35 UNI 5739	
36	F0843921030	0	WASHER 14	
37	31411150	0	WASHER 15x28	
38	59075283	0	PIN	
39	F0851497000	0	SPLIT PIN	



SUPPORTO ANTERIORE
FRONT SUPPORT
SUPPORT ANTERIEUR
VORDERLAGER
SOPORTE ANTERIOR

Validità				
80		90		
RS-M	RS-R	MT	AR-M	AR-R

Tavola	Rev.	Data
B.01.02	0	05/2003



Pos.	Code	Q.ty	Description	Notes
1	51175800	0	FRONT SUPPORT	
2	31111331	0	SCREW TE M14X50 UNI5739 8G	
3	58174882	0	HOOD SEAL	
4	56174657	0	FIXING BRACKET	
5	31112150	0	SCREW TE M8X20 UNI 5739 8G	
6	31411084	0	WASHER 8,4x17	
7	56174658	0	HOOD HOOK	
8	31112151	0	SCREW TE M8X25 UNI 5739 8G	
9	56174659	0	SPACER	
10	31411090	0	WASHER 9x24	
11	31241080	0	SELFLOCK NUT M8	
12	58048002	0	CLAMPING SCREW	
13	F0831065000	0	SPRING	
14	F0858021000	0	REGISTER	
15	31231080	0	NUT M8	
16	58074831	0	CABLE	
17	56174691	0	LEVER	
18	31111151	0	SCREW TE M8X16 UNI 5739 8G	
19	F0843643060	0	WASHER 8	
20	F0814569000	0	NUT M8 UNI 5589 CL:8	
21	56175158	0	SHIELD	
22	56175799	0	DIVISION	
23	31112082	0	SCREW TE M6X12 UNI 5739 8G	
24	F0843570000	0	WASHER 6	
25	56174873	0	TOW HOOK	
26	31112328	0	SCREW TE M14X35 UNI 5739	
27	F0843921030	0	WASHER 14	
28	31411150	0	WASHER 15x28	
29	59075283	0	PIN	
30	F0851497000	0	SPLIT PIN	

SERIAL

FRONT SUPPORT
Power: 80 CV, 90 CV

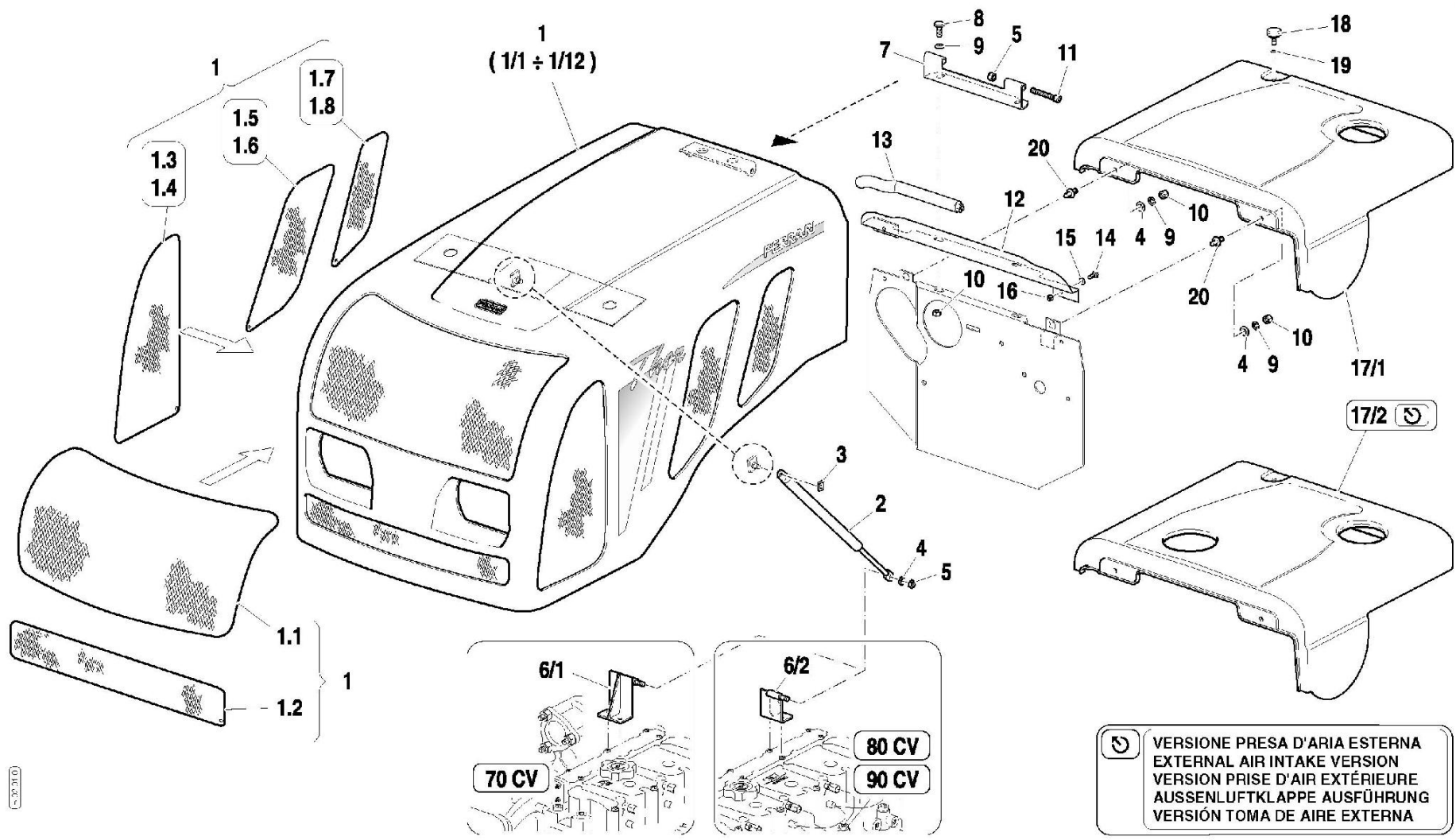
CODE REV
B0102_0_15096



COFANO
BONNET
CAPOT
HAUBE
CAPO

Validità				
70	80	90		
RS-M	RS-R	MT	AR-M	AR-R

Tavola	Rev.	Data
B.02.01	0	05/2003



Pos.	Code	Q.ty	Description	Notes
1.1	56174569	0	FRONT GRILL	
1/1	59900298	0	COMPLETE HOOD	
1/10	59900307	0	COMPLETE HOOD	
1/11	59900308	0	COMPLETE HOOD	
1/12	59900309	0	COMPLETE HOOD	
1/2	59900299	0	COMPLETE HOOD	
1.2	56174649	0	FRONT GRILL	
1.3	56174647	0	FRONT GRILL	
1/3	59900300	0	COMPLETE HOOD	
1/4	59900301	0	COMPLETE HOOD	
1.4	56174648	0	FRONT GRILL	
1.5	56174650	0	FRONT GRILL	
1/5	59900302	0	COMPLETE HOOD	
1/6	59900303	0	COMPLETE HOOD	
1.6	56175365	0	FRONT GRILL	
1.7	56174651	0	FRONT GRILL	
1/7	59900304	0	COMPLETE HOOD	
1/8	59900305	0	COMPLETE HOOD	
1.8	56175364	0	FRONT GRILL	
1/9	59900306	0	COMPLETE HOOD	
2	P23641000000	0	SPRING	
3	58170436	0	CLIP	
4	31411084	0	WASHER 8,4x17	
5	F0814585000	0	SELFLOCK NUT M8	
6/1	59075602	0	BRACKET	
6/2	59075601	0	BRACKET	
7	56174654	0	BRACKET	
8	31112150	0	SCREW TE M8X20 UNI 5739 8G	
9	F0843643060	0	WASHER 8	
10	F0814574000	0	NUT M8	
11	31152088	0	SCREW TCEI M8X55 UNI 5931	
12	56174656	0	HOLDING	
13	P00000026000	0	GASKET	
14	31111091	0	SCREW E M6X14 UNI 5739 8G	

SERIAL

BONNET

Power: 70 CV, 80 CV, 90 CV

CODE REV

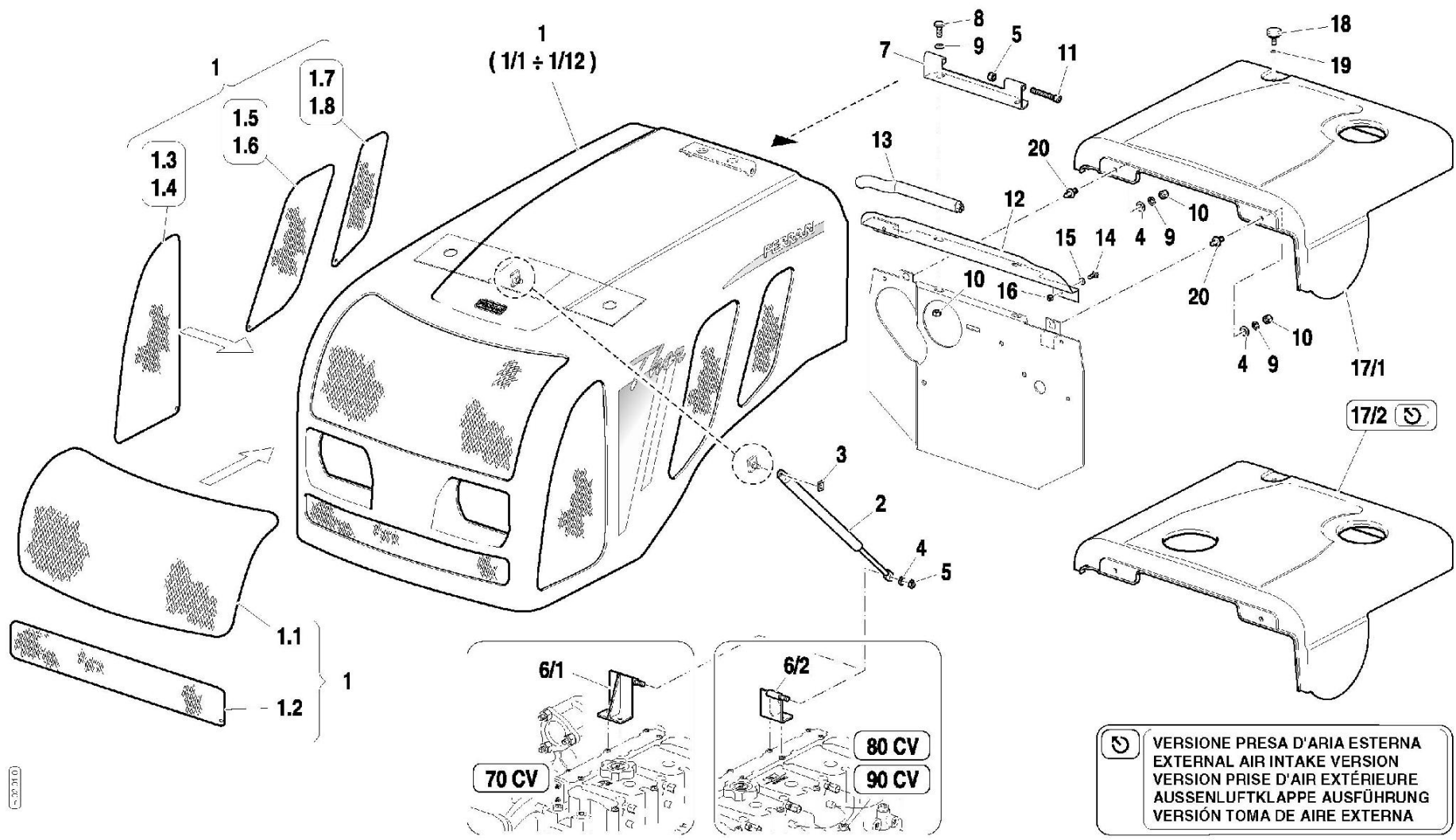
B0201_0_15127



COFANO
BONNET
CAPOT
HAUBE
CAPO

Validità				
70	80	90		
RS-M	RS-R	MT	AR-M	AR-R

Tavola	Rev.	Data
B.02.01	0	05/2003



523110

Pos.	Code	Q.ty	Description	Notes
15	F0843570000	0	WASHER 6	
16	31212060	0	NUT M6	
17/1	57374554	0	COVER	
17/2	57374977	0	COVER	
18	56174835	0	KNOB	
19	35211060	0	SEEGER RING E 6 UNI 7434	
20	59074662	0	PIN	

FERRARI*Thor*

PEDANE
 BOARDS
 MARCHEPIEDS
 FUSSBRETT
 ESTRIBOS

Validità

70	80	90
		AR-M

Tavola

B.04.04

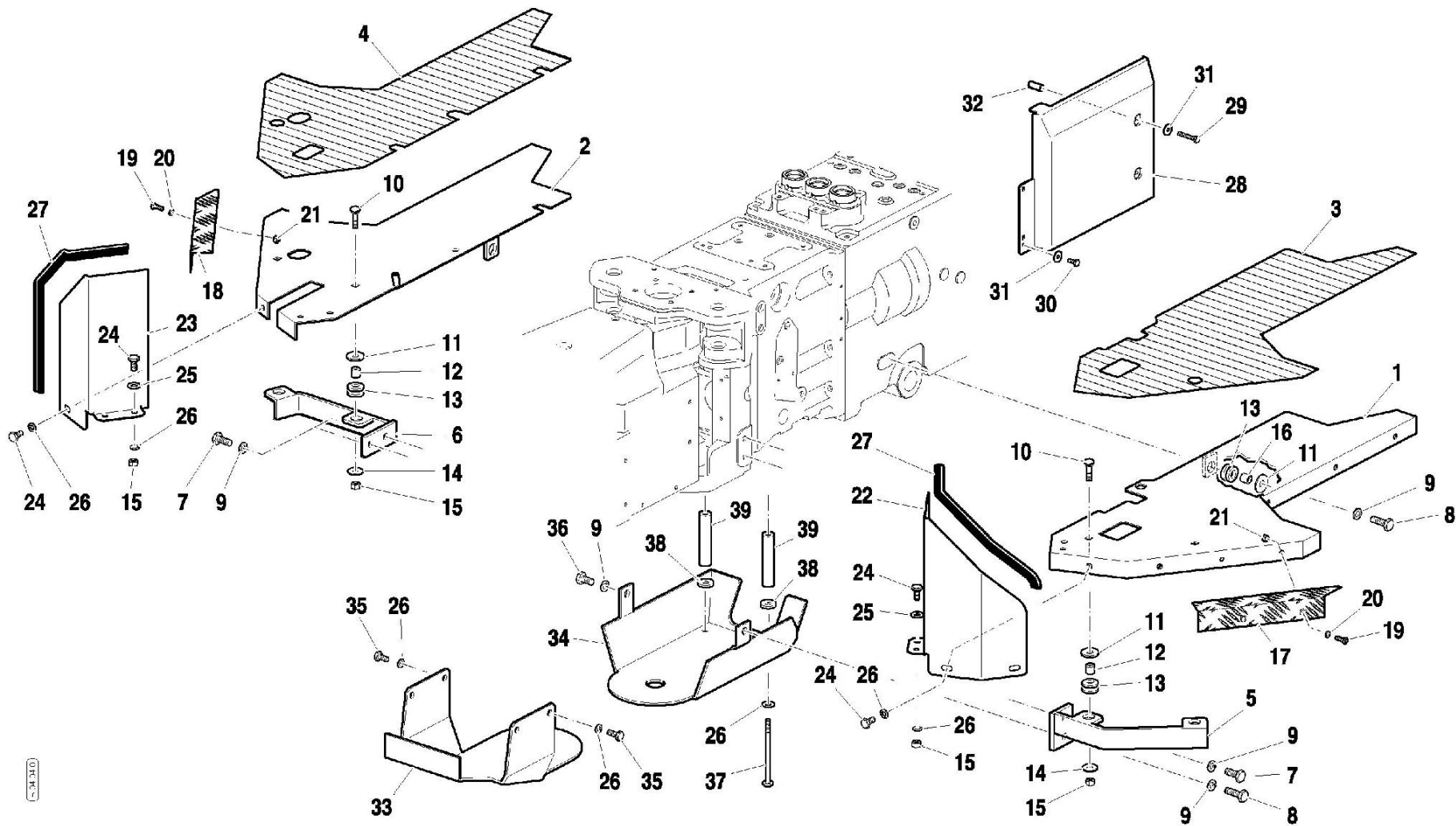
Rev.

0

Data

05/2003

1/1



Pos.	Code	Q.ty	Description	Notes
1	59074603	0	LEFT FOOTBOARD	
2	59074602	0	RIGHT FOOTBOARD	
3	57374593	0	FOOTREST COVER	
4	57374592	0	FOOTREST COVER	
5	59073678	0	SUPPORT	
6	59073674	0	SUPPORT	
7	31112219	0	SCREW TE M10X25 UNI 5739	
8	31112211	0	SCREW TE M10X30 UNI 5739	
9	F0843755000	0	WASHER 10	
10	31122804	0	SCREW TTQ M8X30 UNI 5731	
11	F0843818000	0	WASHER 11x30/2,5	
12	56171996	0	SPACER	
13	55175174	0	BLOCK	
14	31411090	0	WASHER 9x24	
15	F0814574000	0	NUT M8	
16	56171954	0	SPACER	
17	57275029	0	ANGULAR	
18	57275031	0	ANGULAR	
19	F0862479035	0	SCREW M6X16 7380	
20	F0843570000	0	WASHER 6	
21	31211060	0	NUT M6	
22	56174667	0	FOOTBOARD PROTECTION	
23	56174666	0	FOOTBOARD PROTECTION	
24	31112148	0	SCREW TE M8X18 UNI 5739 8G	
25	31411084	0	WASHER 8,4x17	
26	F0843643060	0	WASHER 8	
27	F0256808000	0	FLAT BAND	
28	57374532	0	DIVISION	
29	31112092	0	SCREW TE M6X35 UNI 5739 8G	
30	31111091	0	SCREW E M6X14 UNI 5739 8G	
31	31411066	0	WASHER 6,6x18	
32	56174668	0	SPACER	
33	59075717	0	SHIELD	
34	59075716	0	SHIELD	

SERIAL

BOARDS

Power: 70 CV, 80 CV, 90 CV

CODE REV

B0404_0_15361

FERRARI*Thor*PEDANE
BOARDS
MARCHEPIEDS
FUSSBRETT
ESTRIBOS

Validità

70	80	90
		AR-M

Tavola

B.04.04

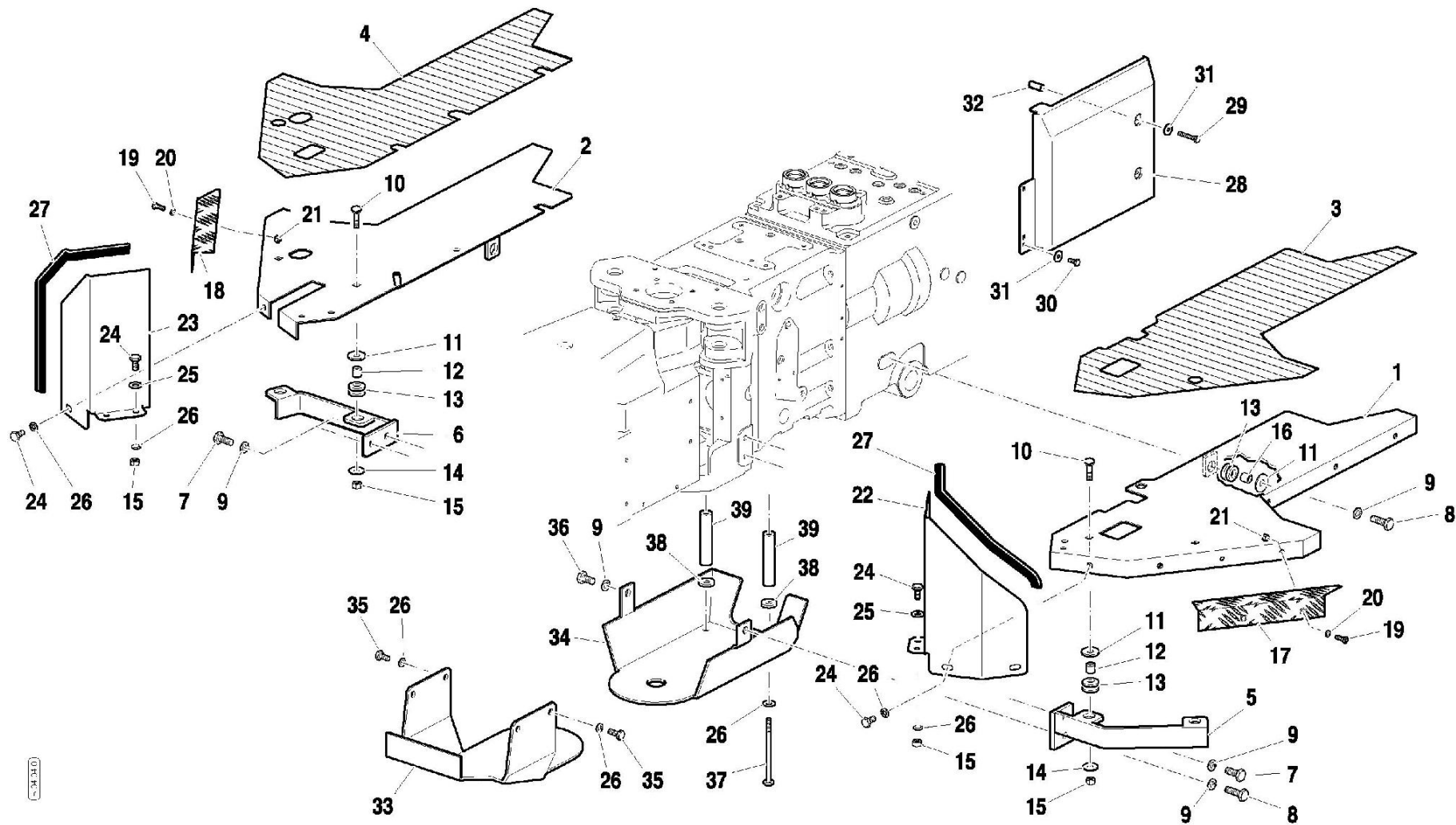
Rev.

0

Data

05/2003

1/1



100

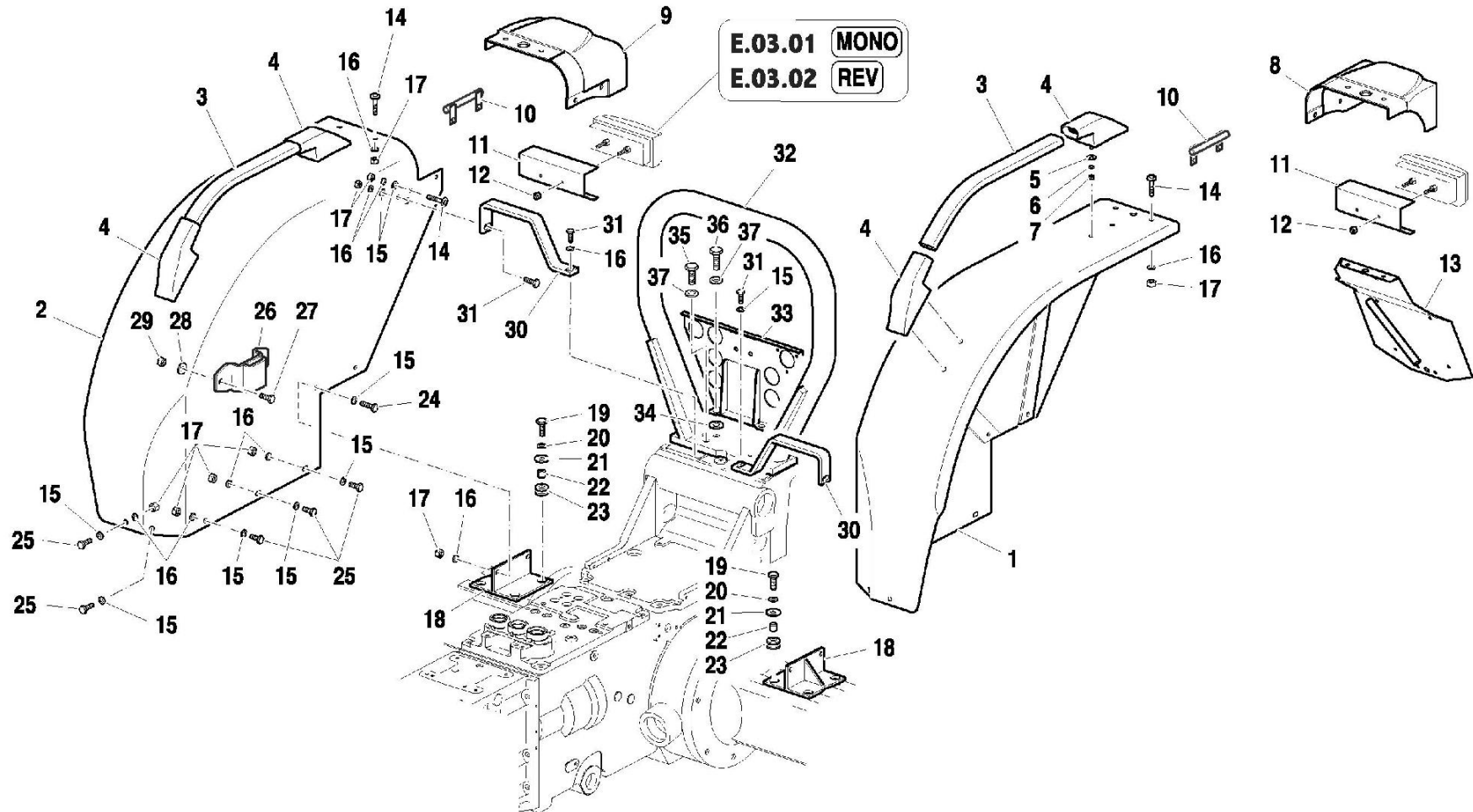
Pos.	Code	Q.ty	Description	Notes
35	31112150	0	SCREW TE M8X20 UNI 5739 8G	
36	31112210	0	SCREW TE M10X20 UNI 5739	
37	31112178	0	SCREW TE M8X130 UNI 5737	
38	F0843711000	0	WASHER D.24x8,5/4	
39	56175718	0	SPACER	



PARAFANGHI POSTERIORI
REAR MUDGUARDS
AILES POSTERIEURES
HINTERKOTFLÜGEL
GUARDABARROSES POSTERIORES

Validità		
70	80	90
		AR-M AR-R

Tavola	Rev.	Data
B.05.03	- 0	05/2003



Pos.	Code	Q.ty	Description	Notes
1	59074675	0	LEFT REAR FENDER	
2	59074676	0	RIGHT REAR FENDER	
3	56174337	0	MUDGUARD HANDLE	
4	55072935	0	SUPPORT	
5	31411066	0	WASHER 6,6x18	
6	F0843570000	0	WASHER 6	
7	31211060	0	NUT M6	
8	57374133	0	SUPPORT	
9	57374134	0	SUPPORT	
10	59074391	0	CABLE BARRIER RAIL	
11	56171938	0	BRACKET	
12	31241051	0	SELFLOCK NUT M5	
13	59075081	0	LICENCE PLATE HOLD	
14	F0862479030	0	SCREW M8X20 7380	
15	31411084	0	WASHER 8,4x17	
16	F0843643060	0	WASHER 8	
17	F0814573000	0	NUT M8	
18	59074249	0	FIXING BRACKET	
19	31112211	0	SCREW TE M10X30 UNI 5739	
20	F0843755000	0	WASHER 10	
21	F0843818000	0	WASHER 11x30/2,5	
22	56171954	0	SPACER	
23	55175174	0	BLOCK	
24	31112152	0	SCREW TE M8X30 UNI 5739 8G	
25	31111151	0	SCREW TE M8X16 UNI 5739 8G	
26	59070592	0	LEVER BEARING	
27	31112208	0	SCREW TE M10X16 UNI 5739	
28	31411105	0	WASHER 10,5x21	
29	31212100	0	NUT M10	
30	56174642	0	WING HOLDER	
31	31112146	0	SCREW TE M8X22 UNI 5739 8G	
32	59071091	0	SAFETY ROLL BAR	
33	59071966	0	CONNECTION	
34	F0843878000	0	SPACER D.30x12,5/6	

SERIAL

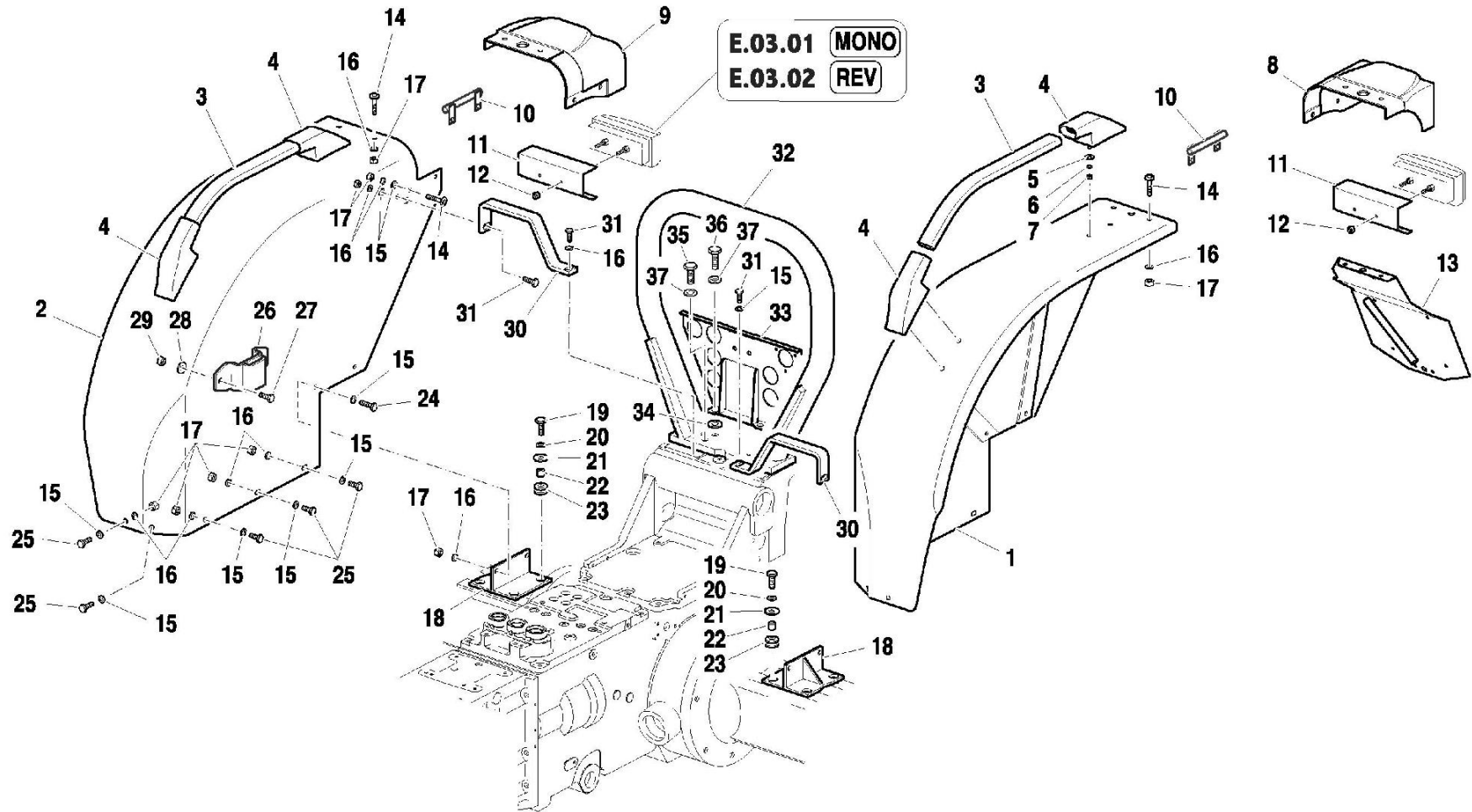
REAR MUDGUARDS
Power: 70 CV, 80 CV, 90 CV

CODE REV

B0503_0_15535

Validità			
70	80	90	
		AR-M	AR-R

Tavola	Rev.	Data
B.05.03	- 0	05/2003



Pos.	Code	Q.ty	Description	Notes
35	31112264	0	SCREW TE M12X35 UNI 5739	
36	31112265	0	SCREW TE M12X40 UNI 5739	
37	F0843843060	0	WASHER 12	

SERIAL

REAR MUDGUARDS
Power: 70 CV, 80 CV, 90 CV

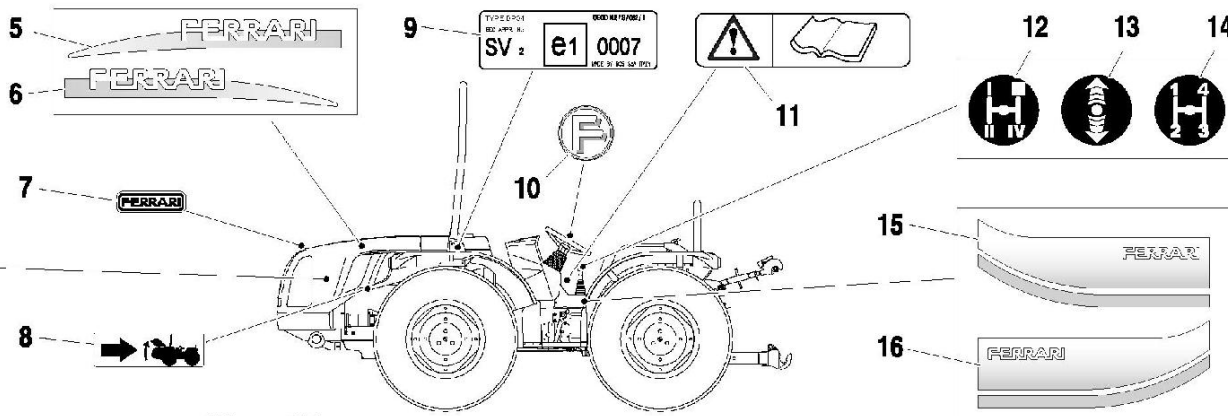
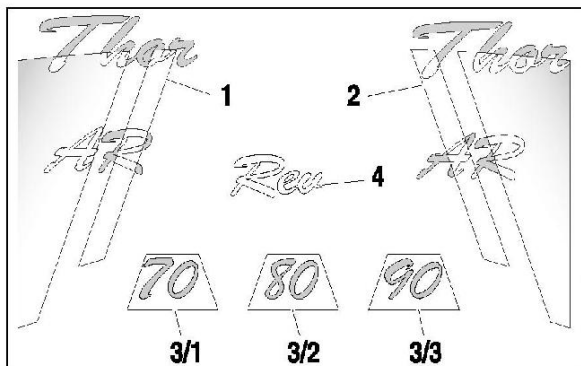
CODE REV
B0503_0_15535



TARGHE E ADESIVI
 PLATES AND STICKERS
 PLAQUETTES ET ADHÉSIFS
 SCHILDER U. AUFKLEBER
 TARJETAS Y ADHESIVOS

Validità		
70	80	90
		AR-M AR-R

Tavola	Rev.	Data
B.07.03	0	05/2003



Made by UIC S.p.A. - REDUCED CASE FILE
 STABILIMENTO GILIZZARZA (ME)

27

26

28

29

30

31

32

33

34

35

36

37

38

39

40

41

42

43

44

45

46

47

48

49

50

51

52

53

54

55

56

57

58

59

60

61

62

63

64

65

66

67

68

69

70

71

72

73

74

75

76

77

78

79

80

81

82

83

84

85

86

87

88

89

90

91

92

93

94

95

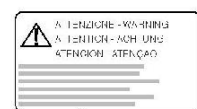
96

97

98

99

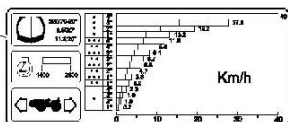
100



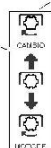
25



24



23



22



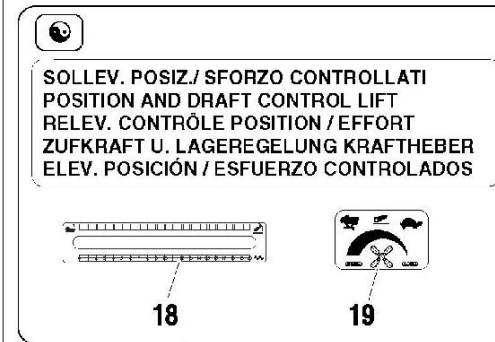
21



20



17



19

18

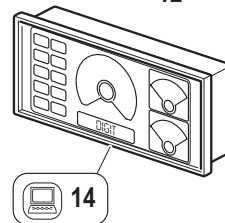
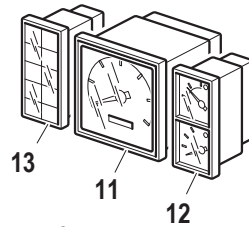
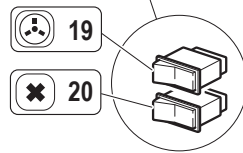
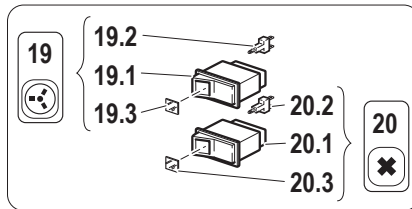
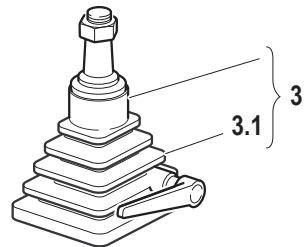
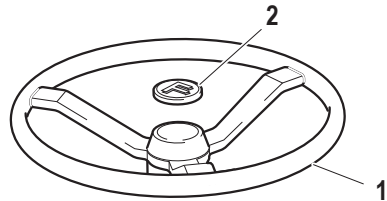
Pos.	Code	Q.ty	Description	Notes
1	58074792	0	DECAL	
2	58074793	0	DECAL	
3/1	58074790	0	DECAL	
3/2	58074789	0	DECAL	
3/3	58074788	0	DECAL	
4	58074791	0	DECAL	
5	58074786	0	DECAL	
6	58074787	0	DECAL	
7	58074837	0	DECAL	
8	58074841	0	DECAL	
9	58073644	0	PLATE	
10	58074777	0	DECAL	
11	58074880	0	PLATE	
12	58074221	0	DECAL	
13	58074220	0	DECAL	
14	58074222	0	DECAL	
15	58074839	0	DECAL	
16	58074846	0	DECAL	
17	58075022	0	PLATE	
18	58075153	0	DECAL	
19	58075250	0	DECAL	
20	58075021	0	DECAL	
21	58074848	0	PLATE	
22	58072575	0	PLATE	
23	58074875	0	PLATE	
24	F0854067050	0	PLATE	
25	58073156	0	PLATE	
26	58072737	0	PLATE	
27	F0808518050	0	RIVET 3,5x6,5	
28	58072509	0	INSTRUCTION PLATE	
29	58072517	0	INSTRUCTION PLATE	
30	58072511	0	INSTRUCTION PLATE	
31	58072510	0	INSTRUCTION PLATE	
32	F0907170122	0	LIBRETTO U/M 70-90 GIALLO F*	


SERIAL


PLATES AND STICKERS
 Power: 70 CV, 80 CV, 90 CV

CODE REV

B0703_0_15684

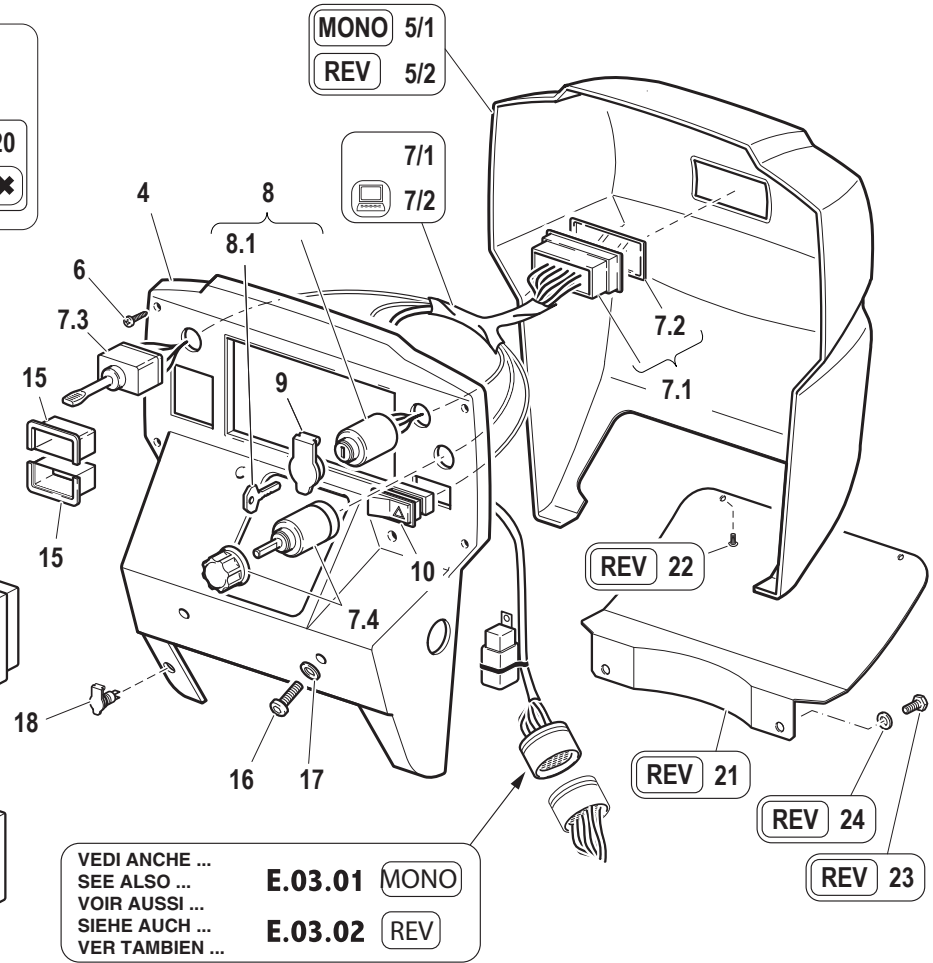


 **PRESA DI FORZA CON FRIZIONE INDIPENDENTE**
POWER TAKE-OFF WITH INDEPENDENT CLUTCH
PRISE DE FORCE AVEC EMBRAYAGE INDEPEND.
ZAPFWELLE MIT UNABHÄNGIGER KUPPLUNG
TOMA DE FUERZA CON EMBRAGUE INDEPEND.


 **DIFFERENZIALE CON BLOCCAGGIO ELETTOIDRAUL.**
DIFFERENTIAL WITH ELECTROHYDRAULIC LOCKING
DIFFERENTIEL AVEC BLOCAGE ÉLECTROHYDR.
DIFFERENTIAL MIT ELEKTROHYDR. SPERRE
DIFERENCIAL CON BLOQUEO ELECTROHIDRÁULICO


 **QUADRO STRUMENTAZIONE DIGITALE**
DIGITAL INSTRUMENT DISPLAY
TABLEAU DE L'INSTRUMENTATION DIGITALE
DIGITALES GERÄT TAFEL
CUADRANTE DE LA INSTRUMENTACIÓN DIGITAL

080717



VEDI ANCHE ...
SEE ALSO ...
VOIR AUSSI ...
SIEHE AUCH ...
VER TAMBIEN ...

E.03.01  **MONO**

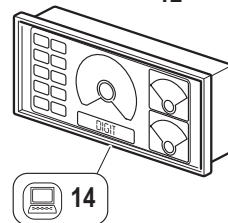
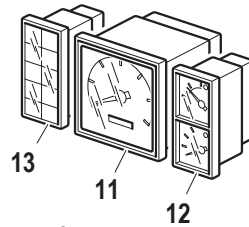
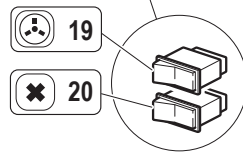
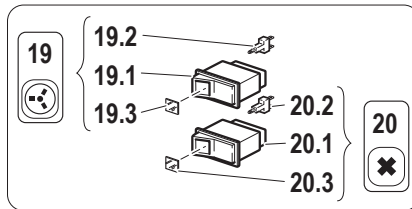
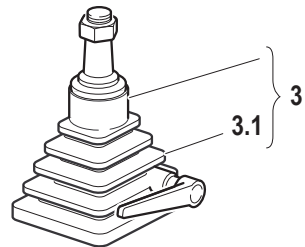
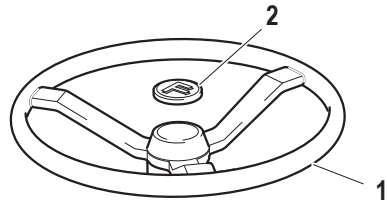
E.03.02  **REV**


Pos.	Code	Q.ty	Description	Notes
1	F0865040000	1	STEERING WHEEL	
2	59900354	1	PLUG	
3	F0865474000	1	UNIT	
3.1	F0865474005	1	BELLOWS	
4	55274441	1	INSTRUMENT PANEL	
5/1	55271852	1	INSTRUMENT PANEL	
5/2	55271644	1	INSTRUMENT PANEL	
6	31510053	1	RIBBED SCREW TC 4,8X32	
7/1	58075776	1	CABLE	
7.1	58170453	1	FUSE BOX	
7.2	58172267	1	COVER	
7/2	58075384	1	CABLE	
7.3	F0825436000	1	SWITCH	
7.4	F0825436003	1	SWITCH	
8	30000614	1	PANEL	
8.1	F0825500220	1	KEY	
9	F0825400060	1	COVER	
10	F0825115010	1	PUSH-BUTTON	
11	58175772	1	DIGITAL INSTRUMENT	
12	58175769	1	DIGITAL INSTRUMENT	
13	58175770	1	WARNING LIGHT HOLDER	
14	58174928	1	INSTRUMENT	
15	58170376	1	TERMINAL FOR SWITCH	
16	F0862479020	1	SCREW M8X16 7380	
17	31411084	1	WASHER 8,4x17	
18	F0825403050	1	SOCKET	
19	58170344	1	CHANGE-OVER SWITCH	
19.1	58173116	1	CHANGE-OVER SWITCH	
19.2	58173119	1	LAMP	
19.3	58173120	1	GLASS	
20	58170345	1	CHANGE-OVER SWITCH	
20.1	58173116	1	CHANGE-OVER SWITCH	
20.2	58173119	1	LAMP	
20.3	58173121	1	GLASS	


SERIAL
START
903080

DASHBOARD
Power: 70 CV, 80 CV, 90 CV

CODE REV
B0801_1_69100

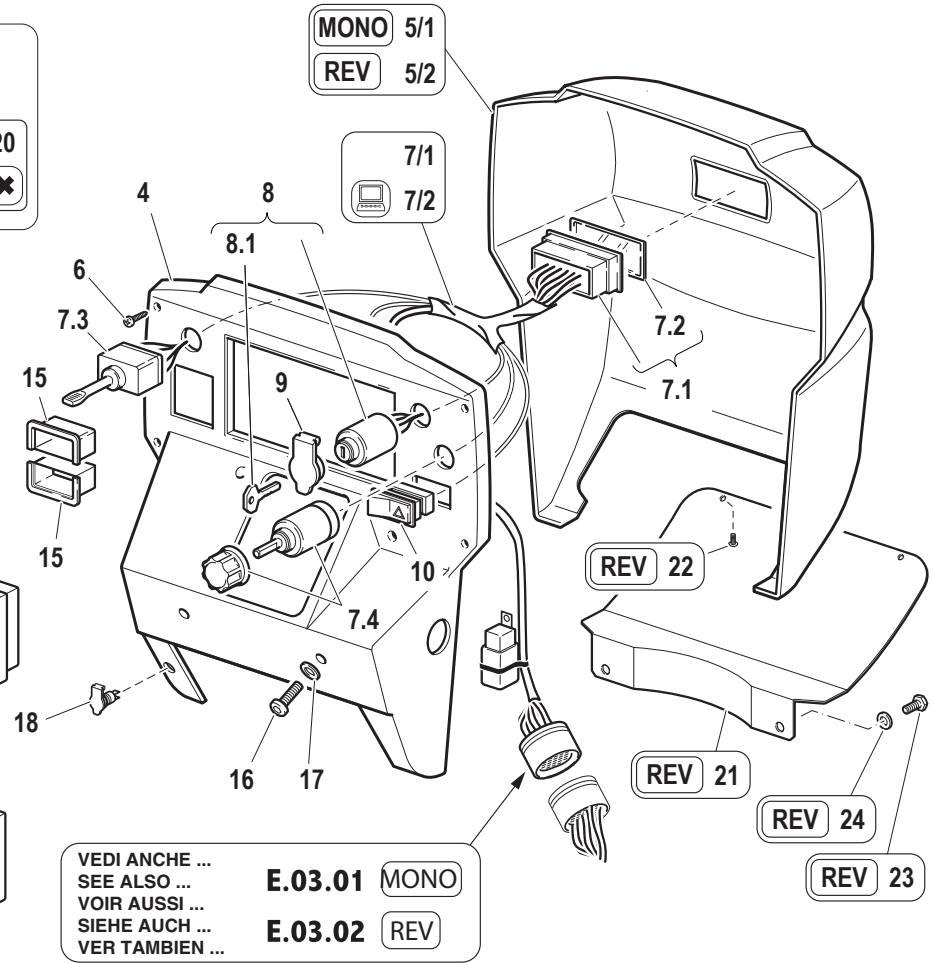


 **PRESA DI FORZA CON FRIZIONE INDIPENDENTE**
POWER TAKE-OFF WITH INDEPENDENT CLUTCH
PRISE DE FORCE AVEC EMBRAYAGE INDEPEND.
ZAPFWELLE MIT UNABHÄNGIGER KUPPLUNG
TOMA DE FUERZA CON EMBRAGUE INDEPEND.


 **DIFFERENZIALE CON BLOCCAGGIO ELETTOIDRAUL.**
DIFFERENTIAL WITH ELECTROHYDRAULIC LOCKING
DIFFERENTIEL AVEC BLOCAGE ÉLECTROHYDR.
DIFFERENTIAL MIT ELEKTROHYDR. SPERRE
DIFERENCIAL CON BLOQUEO ELECTROHIDRÁULICO


 **QUADRO STRUMENTAZIONE DIGITALE**
DIGITAL INSTRUMENT DISPLAY
TABLEAU DE L'INSTRUMENTATION DIGITALE
DIGITALES GERÄT TAFEL
CUADRANTE DE LA INSTRUMENTACIÓN DIGITAL

080717



VEDI ANCHE ...
SEE ALSO ...
VOIR AUSSI ...
SIEHE AUCH ...
VER TAMBIEN ...

E.03.01  **MONO**

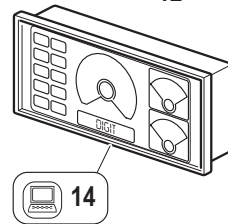
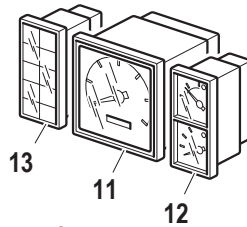
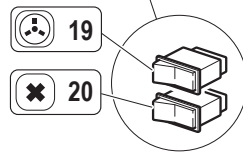
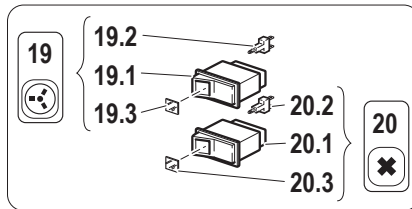
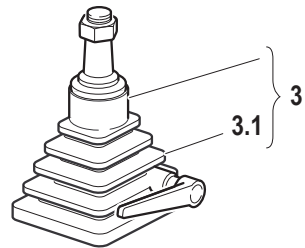
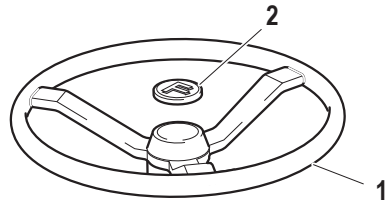
E.03.02  **REV**


Pos.	Code	Q.ty	Description	Notes
21	57374553	1	COVER	
22	F0861867001	1	SCREW M4,2X16 DIN 7981	
23	31112149	1	SCREW TE M8X12 UNI 5739 8G	
24	31411084	1	WASHER 8,4x17	


SERIAL
START
903080

DASHBOARD
Power: 70 CV, 80 CV, 90 CV

CODE REV
B0801_1_69100

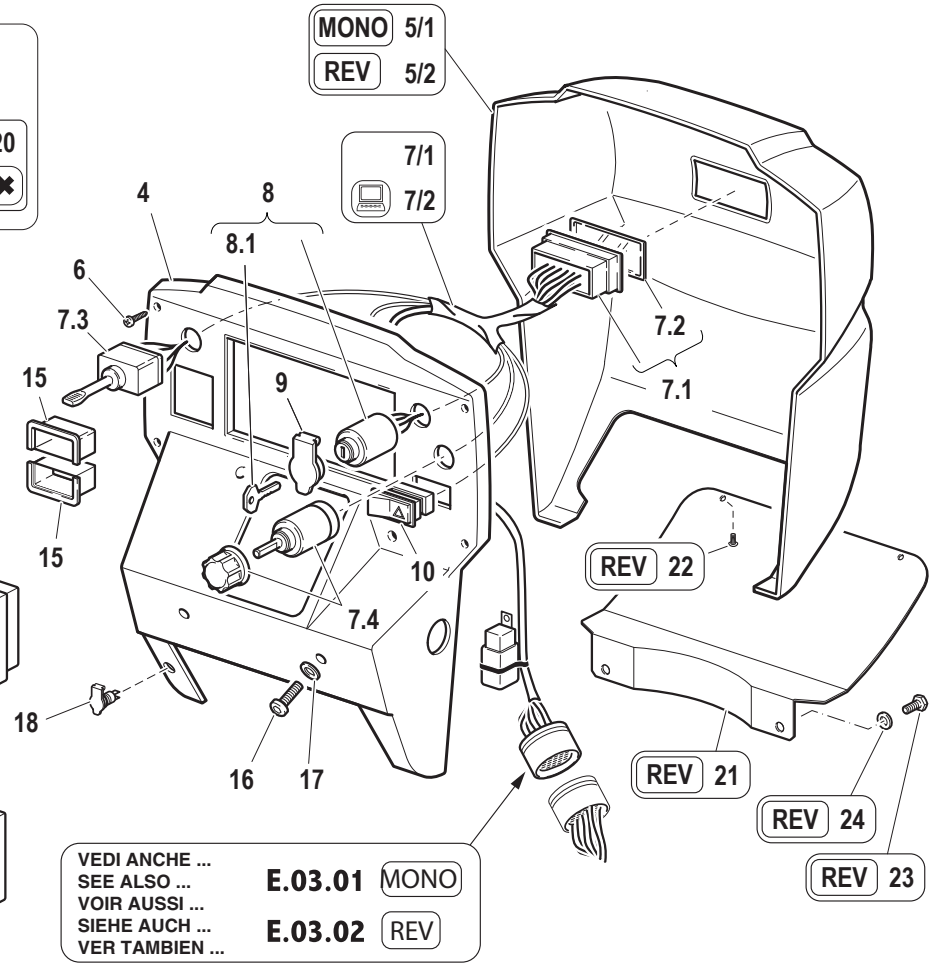


 **PRESA DI FORZA CON FRIZIONE INDIPENDENTE**
POWER TAKE-OFF WITH INDEPENDENT CLUTCH
PRISE DE FORCE AVEC EMBRAYAGE INDEPEND.
ZAPFWELLE MIT UNABHÄNGIGER KUPPLUNG
TOMA DE FUERZA CON EMBRAGUE INDEPEND.

 **DIFFERENZIALE CON BLOCCAGGIO ELETTOIDRAUL.**
DIFFERENTIAL WITH ELECTROHYDRAULIC LOCKING
DIFFERENTIEL AVEC BLOCAGE ÉLECTROHYDR.
DIFFERENTIAL MIT ELEKTROHYDR. SPERRE
DIFERENCIAL CON BLOQUEO ELECTROHIDRÁULICO

 **QUADRO STRUMENTAZIONE DIGITALE**
DIGITAL INSTRUMENT DISPLAY
TABLEAU DE L'INSTRUMENTATION DIGITALE
DIGITALES GERÄT TAFEL
CUADRANTE DE LA INSTRUMENTACIÓN DIGITAL

0.08.01.2

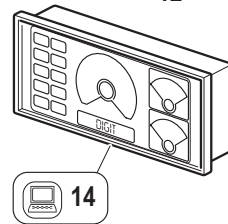
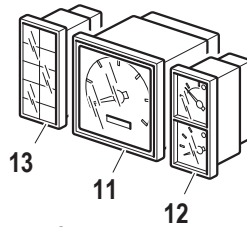
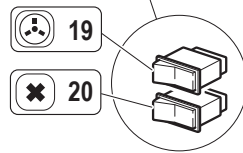
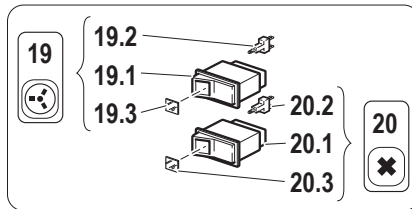
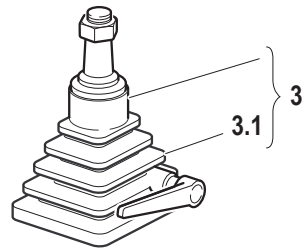
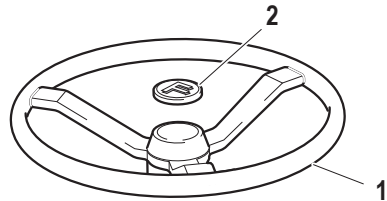



Pos.	Code	Q.ty	Description	Notes
1	F0865040000	1	STEERING WHEEL	
2	59900354	1	PLUG	
3	F0865474000	1	UNIT	
3.1	F0865474005	1	BELLOWS	
4	55274441	1	INSTRUMENT PANEL	
5/1	55271852	1	INSTRUMENT PANEL	
5/2	55271644	1	INSTRUMENT PANEL	
6	31510053	1	RIBBED SCREW TC 4,8X32	
7/1	58075776	1	CABLE	
7.1	58170453	1	FUSE BOX	
7.2	58172267	1	COVER	
7/2	58075384	1	CABLE	
7.3	F0825436000	1	SWITCH	
7.4	F0825436003	1	SWITCH	
8	30000614	1	PANEL	
8.1	F0825500220	1	KEY	
9	F0825400060	1	COVER	
10	F0825115010	1	PUSH-BUTTON	
11	58176229	1	TRACTOR METER	
12	58175769	1	DIGITAL INSTRUMENT	
13	58175770	1	WARNING LIGHT HOLDER	
14	58174928	1	INSTRUMENT	
15	58170376	1	TERMINAL FOR SWITCH	
16	F0862479020	1	SCREW M8X16 7380	
17	31411084	1	WASHER 8,4x17	
18	F0825403050	1	SOCKET	
19	58170344	1	CHANGE-OVER SWITCH	
19.1	58173116	1	CHANGE-OVER SWITCH	
19.2	58173119	1	LAMP	
19.3	58173120	1	GLASS	
20	58170345	1	CHANGE-OVER SWITCH	
20.1	58173116	1	CHANGE-OVER SWITCH	
20.2	58173119	1	LAMP	
20.3	58173121	1	GLASS	


SERIAL
START
903605

DASHBOARD
Power: 70 CV, 80 CV, 90 CV

CODE REV
B0801_2_69139

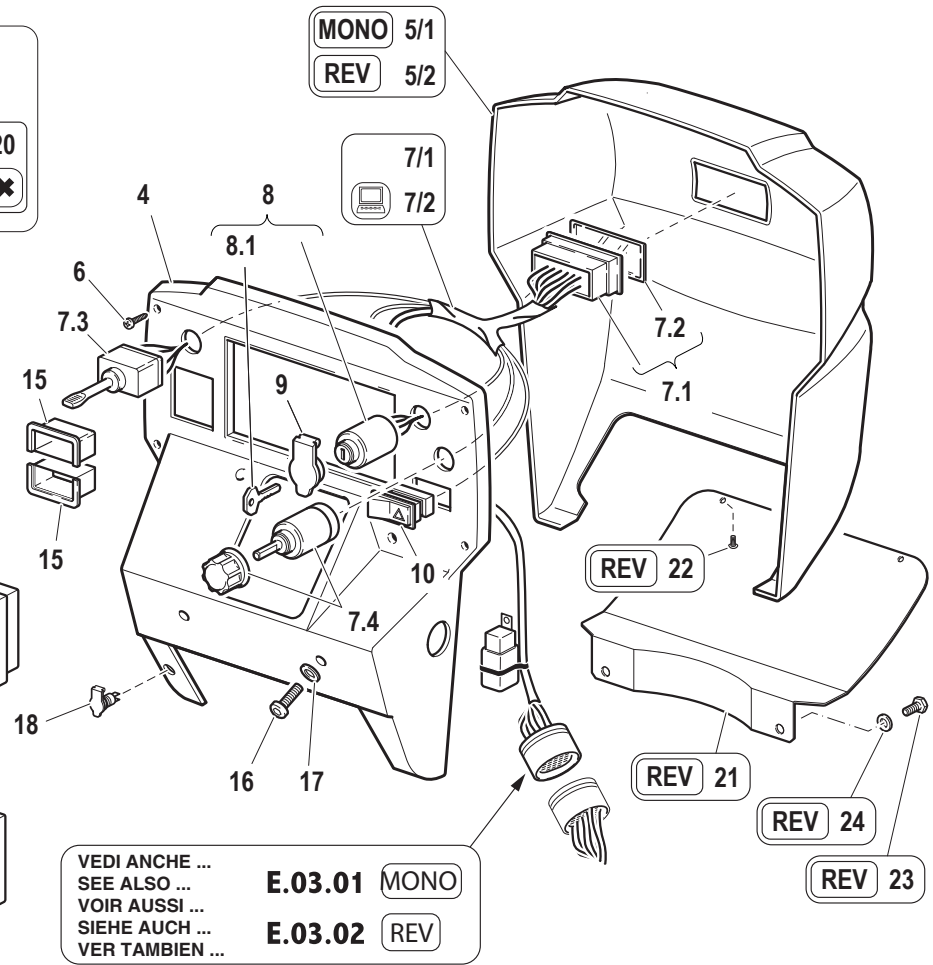


 **PRESA DI FORZA CON FRIZIONE INDIPENDENTE**
POWER TAKE-OFF WITH INDEPENDENT CLUTCH
PRISE DE FORCE AVEC EMBRAYAGE INDEPEND.
ZAPFWELLE MIT UNABHÄNGIGER KUPPLUNG
TOMA DE FUERZA CON EMBRAGUE INDEPEND.


 **DIFFERENZIALE CON BLOCCAGGIO ELETTOIDRAUL.**
DIFFERENTIAL WITH ELECTROHYDRAULIC LOCKING
DIFFERENTIEL AVEC BLOCAGE ÉLECTROHYDR.
DIFFERENTIAL MIT ELEKTROHYDR. SPERRE
DIFERENCIAL CON BLOQUEO ELECTROHIDRÁULICO


 **QUADRO STRUMENTAZIONE DIGITALE**
DIGITAL INSTRUMENT DISPLAY
TABLEAU DE L'INSTRUMENTATION DIGITALE
DIGITALES GERÄT TAFEL
CUADRANTE DE LA INSTRUMENTACIÓN DIGITAL

0.08.01.2



VEDI ANCHE ...
SEE ALSO ...
VOIR AUSSI ...
SIEHE AUCH ...
VER TAMBIEN ...

E.03.01  **MONO**

E.03.02  **REV**

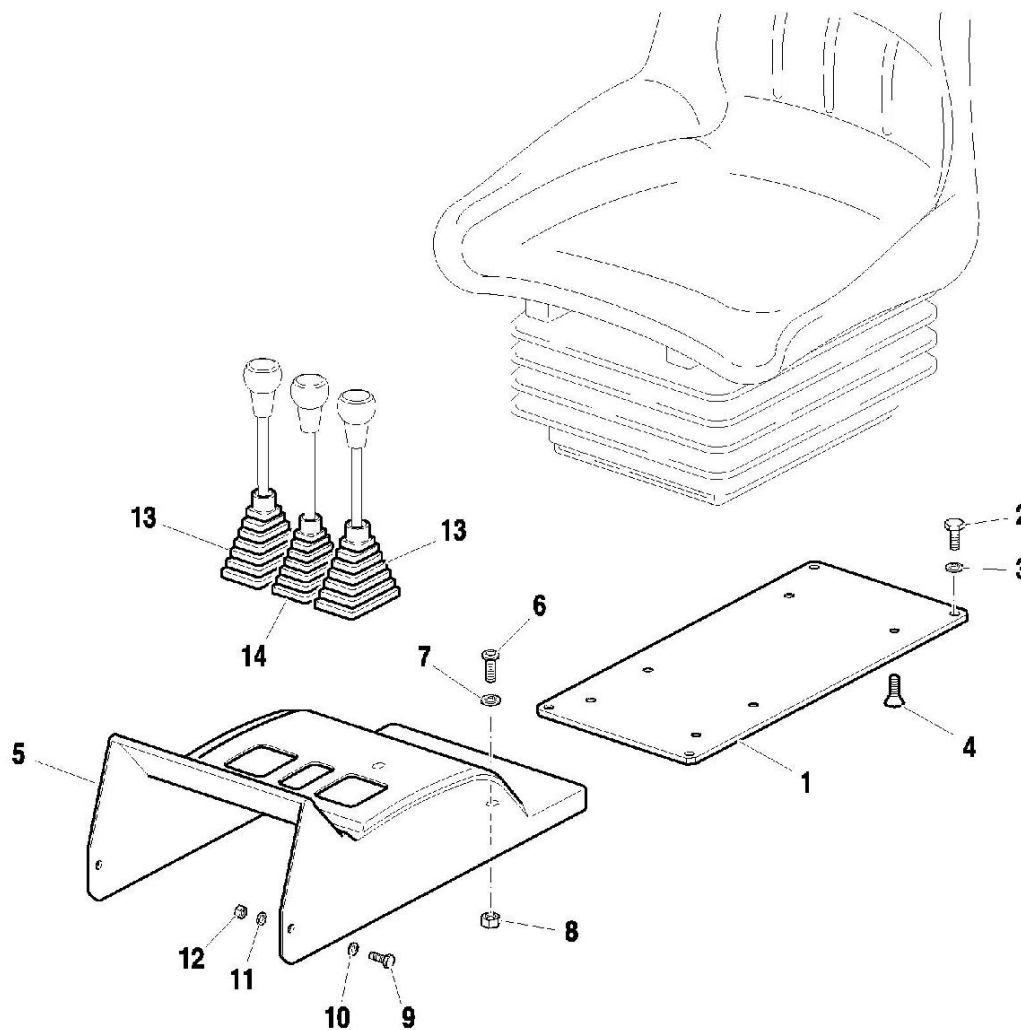
Pos.	Code	Q.ty	Description	Notes
21	57374553	1	COVER	
22	F0861867001	1	SCREW M4,2X16 DIN 7981	
23	31112149	1	SCREW TE M8X12 UNI 5739 8G	
24	31411084	1	WASHER 8,4x17	



SUPPORTO SEDILE / COPERTURA LEVE CAMBIO
SEAT SUPPORT / GEAR LEVERS COVER
SIEGE SUPPORT / COUVERTURE LEVIERS VITESSE
SITZLAGER / GETRIEBEBEBELNDECKEL
SOPORTE ASIENTO / COBERTURA PALANCAS CAMBIO

Validità		
70	80	90
RS-M		AR-M

Tavola	Rev.	Data
B.09.01	0	05/2003



Pos.	Code	Q.ty	Description	Notes
1	56174643	0	FIXING PLATE	
2	31112147	0	SCREW TE M8X18 UNI 5739 8G	
3	F0843643060	0	WASHER 8	
4	F0862481000	0	SCREW M8x16 UNI 5933	
5	57374892	0	COVER	
6	F0862479032	0	SCREW M8X25 7380	
7	31411084	0	WASHER 8,4x17	
8	F0814647000	0	NUT M10	
9	31112090	0	SCREW TE M6X16 UNI 5739 8G	
10	31411064	0	WASHER 6,4x12,5	
11	F0843570000	0	WASHER 6	
12	31211060	0	NUT M6	
13	55174163	0	BELLOWS	
14	55174162	0	BELLOWS	

SERIAL

SEAT SUPPORT / GEAR LEVERS COVER

Power: 70 CV, 80 CV, 90 CV

CODE REV

B0901_0_15758

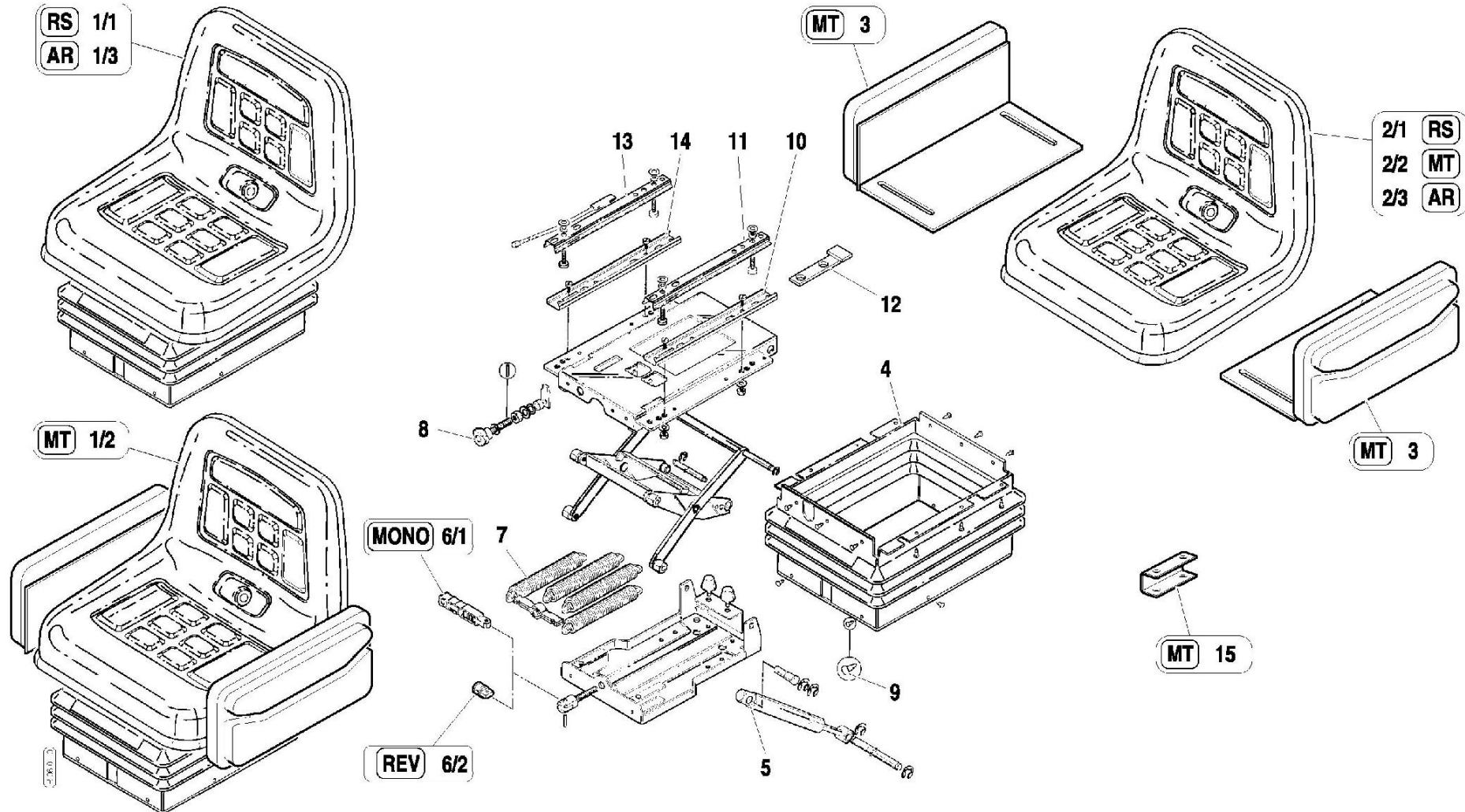
FERRARI*Thor*

SEDILE (MODELLO STANDARD)
 SEAT (STANDARD)
 SIEGE (SERIE)
 SITZ (SERIEN)
 ASIENTO (SERIE)

Validità				
70	80	90		
RS-M	RS-R	MT	AR-M	AR-R

Tavola	Rev.	Data
B.12.01	0	05/2003

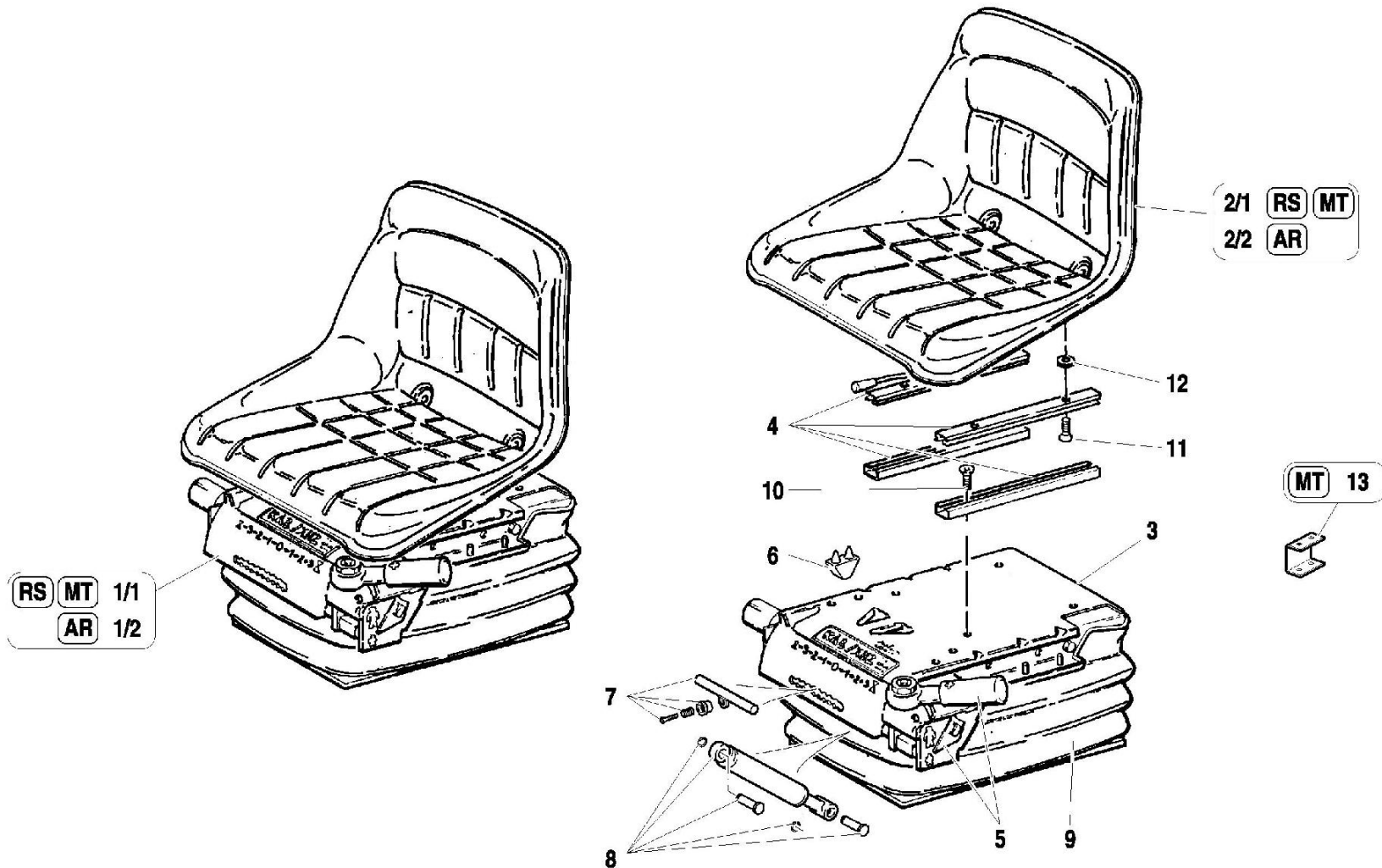
1/1



Pos.	Code	Q.ty	Description	Notes
1/1	F0190032529	0	SEAT	
1/2	58170959	0	SEAT	
1/3	58170995	0	SEAT	
2/1	59900151	0	SEAT CAVITY	
2/2	59900182	0	SEAT CAVITY	
2/3	59900162	0	SEAT CAVITY	
3	58171239	0	SIDE PANEL	
4	59900159	0	BELLOWS	
5	59900156	0	SHOCKS ABSORBER	
6/1	59900155	0	LEVER	
6/2	56172172	0	SMALL BLOCK	
7	59900154	0	SPRING	
8	59900153	0	KNOB	
9	59900158	0	SCREW	
10	59900157	0	LOWER GUIDE	
11	59900160	0	GUIDE	
12	59071241	0	STOP PLATE	
13	59900161	0	GUIDE	
14	59900152	0	LOWER GUIDE	
15	56175206	0	BRACKET	

Validità				
70	80	90		
RS-M	RS-R	MT	AR-M	AR-R

Tavola	Rev.	Data
B.12.02	0	05/2003



Pos.	Code	Q.ty	Description	Notes
1/1	59900200	0	SEAT	
1/2	59900199	0	SEAT	
2/1	F0150036215	0	SEAT CAVITY	
2/2	F0150036216	0	SEAT CAVITY	
3	F0150036219	0	SPRING	
4	58173437	0	SEAT GUIDE	
5	59900183	0	CONTROL	
6	59900184	0	SPRINGS LIMITER	
7	59900185	0	CONTROL	
8	59900186	0	SHOCKS ABSORBER	
9	59900187	0	BELLOWS	
10	31111151	0	SCREW TE M8X16 UNI 5739 8G	
11	F0862495010	0	SCREW M8X16 UNI 5931	
12	F0843696000	0	WASHER D.24x8/6	
13	56171223	0	BRACKET	

SERIAL

SEAT (KAB)

Power: 70 CV, 80 CV, 90 CV

CODE REV

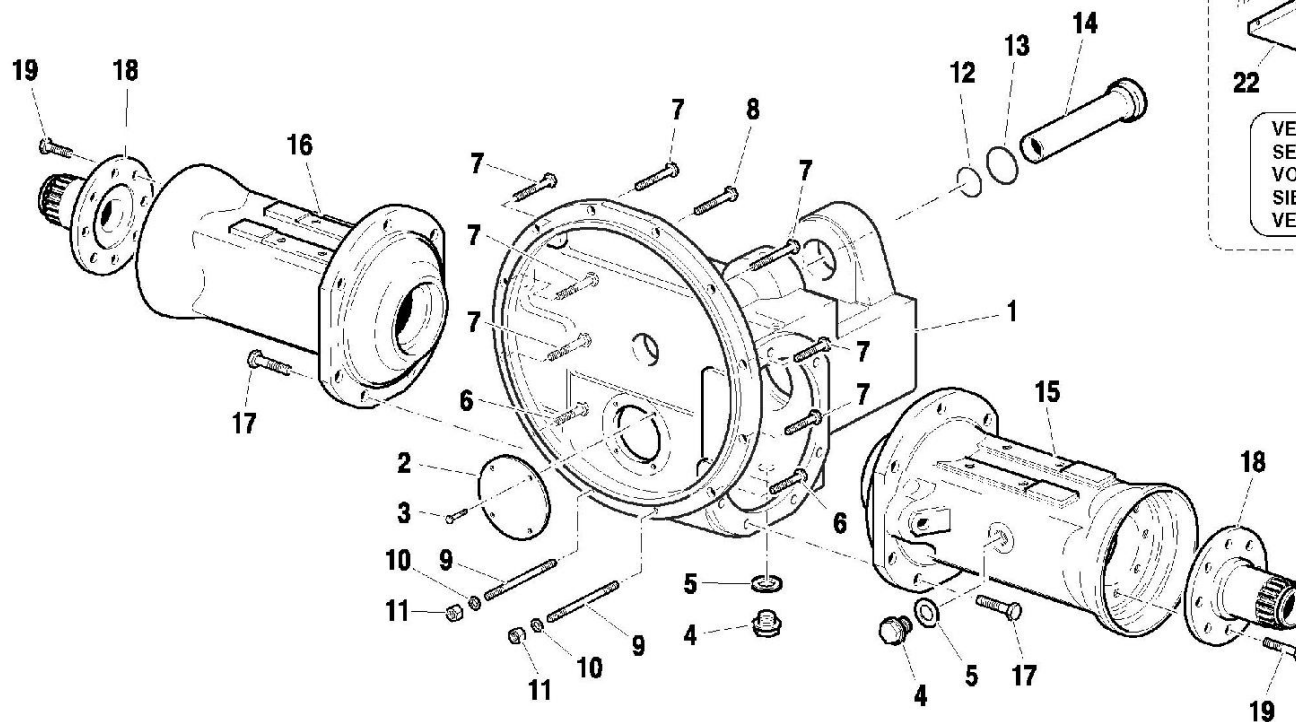
B1202_0_15889



PONTE ANTERIORE
 FRONT AXLE
 PONT AVANT
 VORDERACHSE
 PUENTE DELANTERO

Validità		
70	80	90
		AR-M AR-R

Tavola	Rev.	Data
C.01.02	0	05/2003



VEDI ANCHE ...
 SEE ALSO ...
 VOIR AUSSI ...
 SIEHE AUCH ...
 VER TAMBIEN ...

D.01.02

 **QUADRO STRUMENTAZIONE DIGITALE**
DIGITAL INSTRUMENT DISPLAY
TABLEAU DE L'INSTRUMENTATION DIGITALE
DIGITALES GERÄT TAFEL
CUADRANTE DE LA INSTRUMENTACIÓN DIGITAL

001002

Pos.	Code	Q.ty	Description	Notes
1	51174448	0	FRONT AXLE HOUSING	
2	51174467	0	FRONT COVER	
3	31112090	0	SCREW TE M6X16 UNI 5739 8G	
4	56370081	0	PLUG	
5	F0844273090	0	GASKET 22X28X1,5 CU 99,5	
6	31112211	0	SCREW TE M10X30 UNI 5739	
7	31112212	0	SCREW TE M10X35 UNI 5739	
8	31112213	0	SCREW TE M10X40 UNI 5739	
9	F0838475000	0	STUD BOLT M10X90 UNI 5911 8.8	
10	F0814632000	0	NUT M10	
11	F0843755000	0	WASHER 10	
12	F0803209000	0	O-RING 3156	
13	F0803209070	0	O-RING 3187	
14	59070012	0	PIPE	
15	51173806	0	FRONT AXLE HOUSING	
16	51173805	0	FRONT AXLE HOUSING	
17	F0864222010	0	SCREW M14X1,5/40 5738	
18	56373800	0	SUPPORT	
19	F0863890010	0	SCREW M12x1,75x35	
20	58175209	0	SENSOR	
21	56174919	0	BRACKET	
22	56172538	0	LAMINATION	
23	31112082	0	SCREW TE M6X12 UNI 5739 8G	
24	F0843570000	0	WASHER 6	

SERIAL

FRONT AXLE
Power: 70 CV, 80 CV, 90 CV

CODE REV

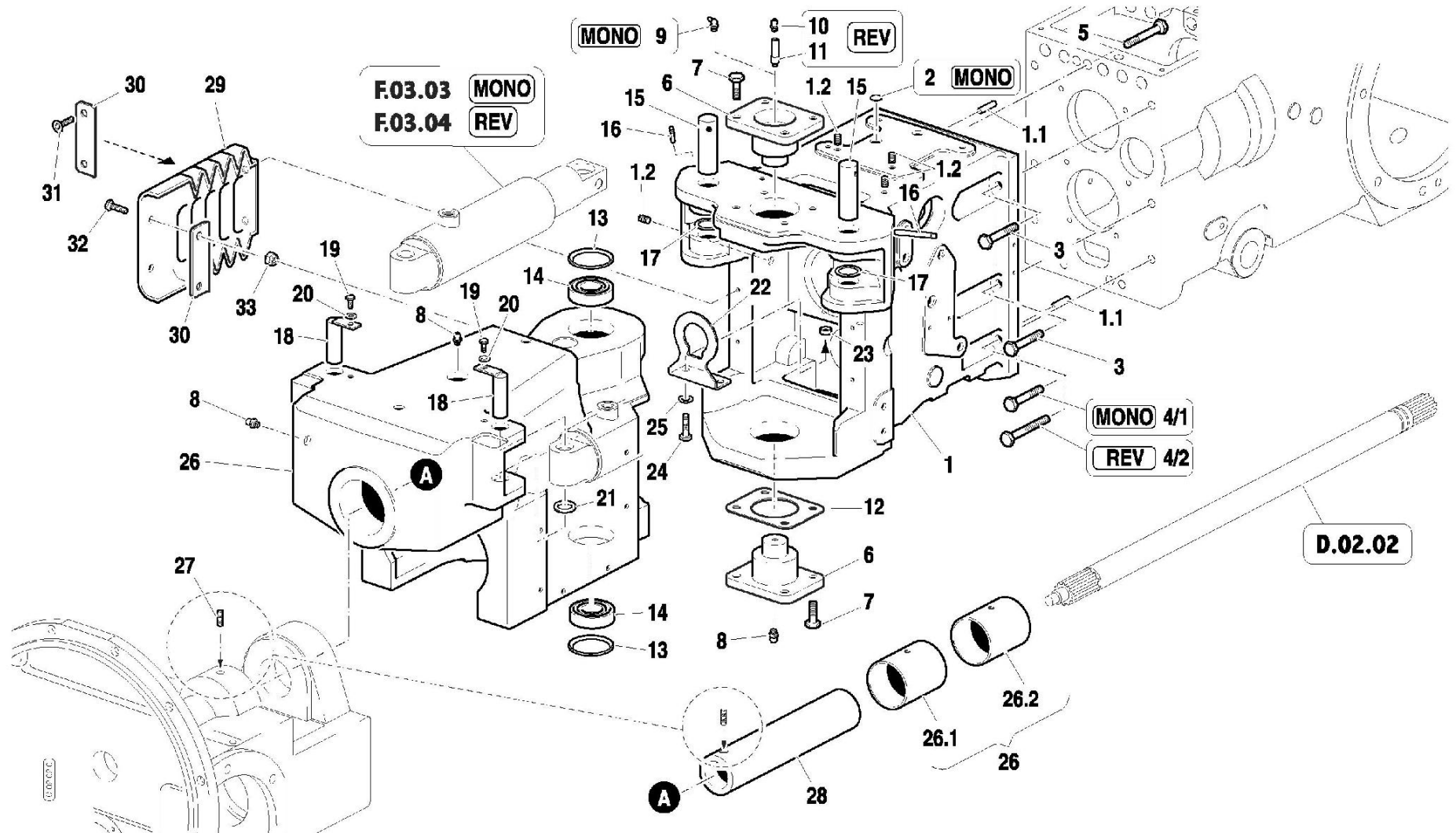
C0102_0_15959



CORPO CENTRALE
CENTRAL SECTION
CORPS CENTRAL
ZENTRALGEHÄUSE
CUERPO CENTRAL

Validità		
70	80	90
		AR-M AR-R

Tavola	Rev.	Data
C.02.02	0	05/2003



Pos.	Code	Q.ty	Description	Notes
1	59276003	0	BOX	
1.1	56570016	0	CYLINDRICAL PLUG	
1.2	58070743	0	PLUG	
2	F0852540050	0	PLUG	
3	F0863925000	0	SCREW M12X40 UNI 5737	
4/1	F0863925000	0	SCREW M12X40 UNI 5737	
4/2	F0863997010	0	SCREW M12X50 UNI 5737	
5	F0863951000	0	SCREW M12X45 UNI 5737	
6	52373668	0	JOINT PIN	
7	F0863267050	0	SCREW M10x25	
8	F0826056000	0	LUBRICATOR M10 UNI 7663A	
9	F0826057000	0	LUBRICATOR M10x1,5 45° UNI7663B	
10	F0826056000	0	LUBRICATOR M10 UNI 7663A	
11	56174493	0	EXTENSION	
12	52173669	0	SHIM	
12	52173670	0	SHIM	
12	52173671	0	SHIM	
12	52173672	0	SHIM	
12	52173673	0	SHIM	
13	58170077	0	GASKET	
14	F0812838000	0	BEARING 32007 (35x62x18 R)	
15	56374556	0	HINGE PIN	
16	56370178	0	SCREW	
17	56374557	0	SPACER	
18	59070838	0	HINGE PIN	
19	31111151	0	SCREW TE M8X16 UNI 5739 8G	
20	F0843643060	0	WASHER 8	
21	F0844240000	0	WASHER 20,5x33/3	
22	59075813	0	BRACKET	
23	56170364	0	SPACER	
24	31112146	0	SCREW TE M8X22 UNI 5739 8G	
25	F0843643060	0	WASHER 8	
26	59276002	0	BOX	
26.1	56274890	0	BUSHING	

SERIAL

CENTRAL SECTION
Power: 70 CV, 80 CV, 90 CV

CODE REV

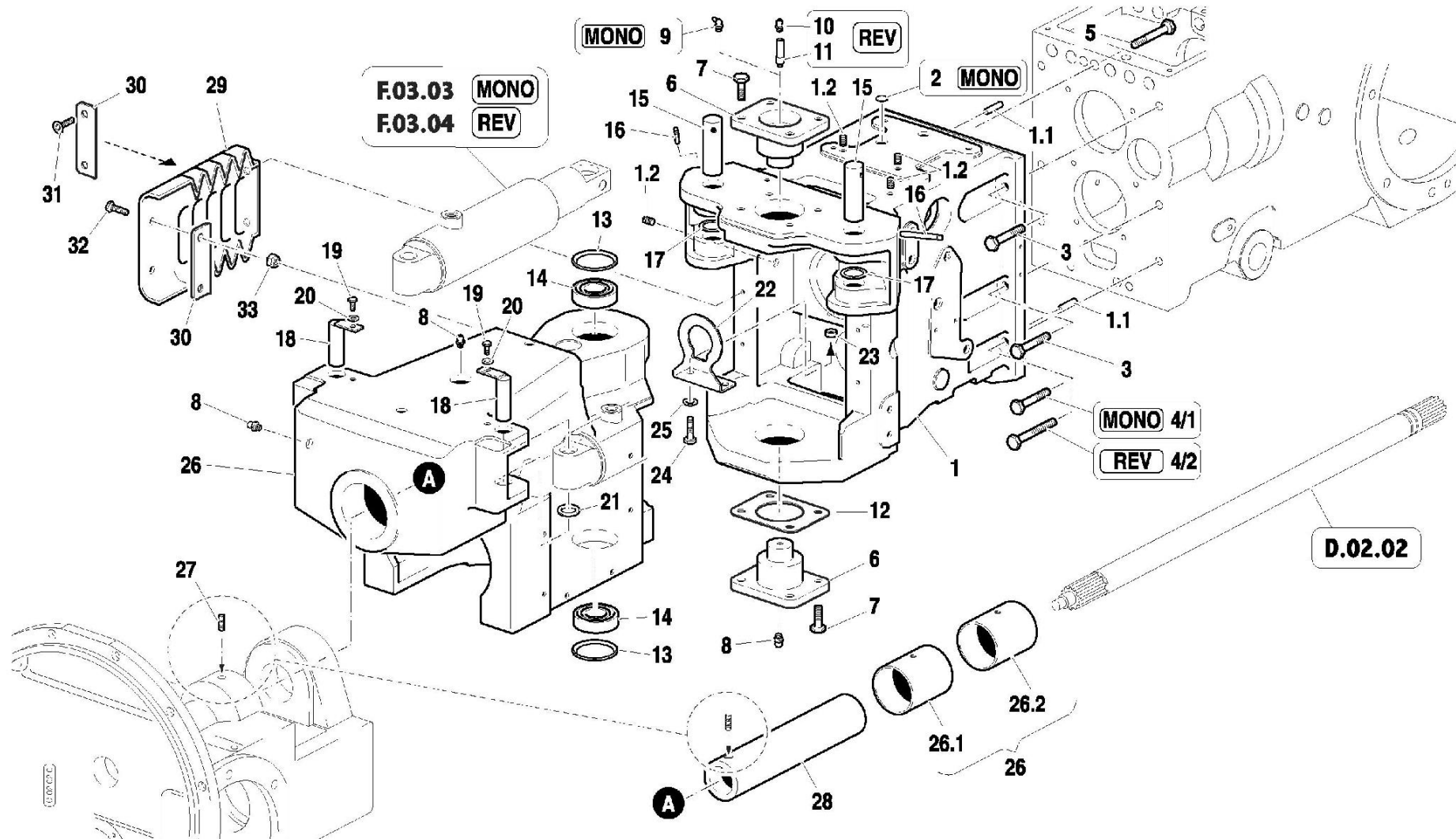
C0202_0_16001



CORPO CENTRALE
CENTRAL SECTION
CORPS CENTRAL
ZENTRALGEHÄUSE
CUERPO CENTRAL

Validità		
70	80	90
		AR-M AR-R

Tavola	Rev.	Data
C.02.02	0	05/2003



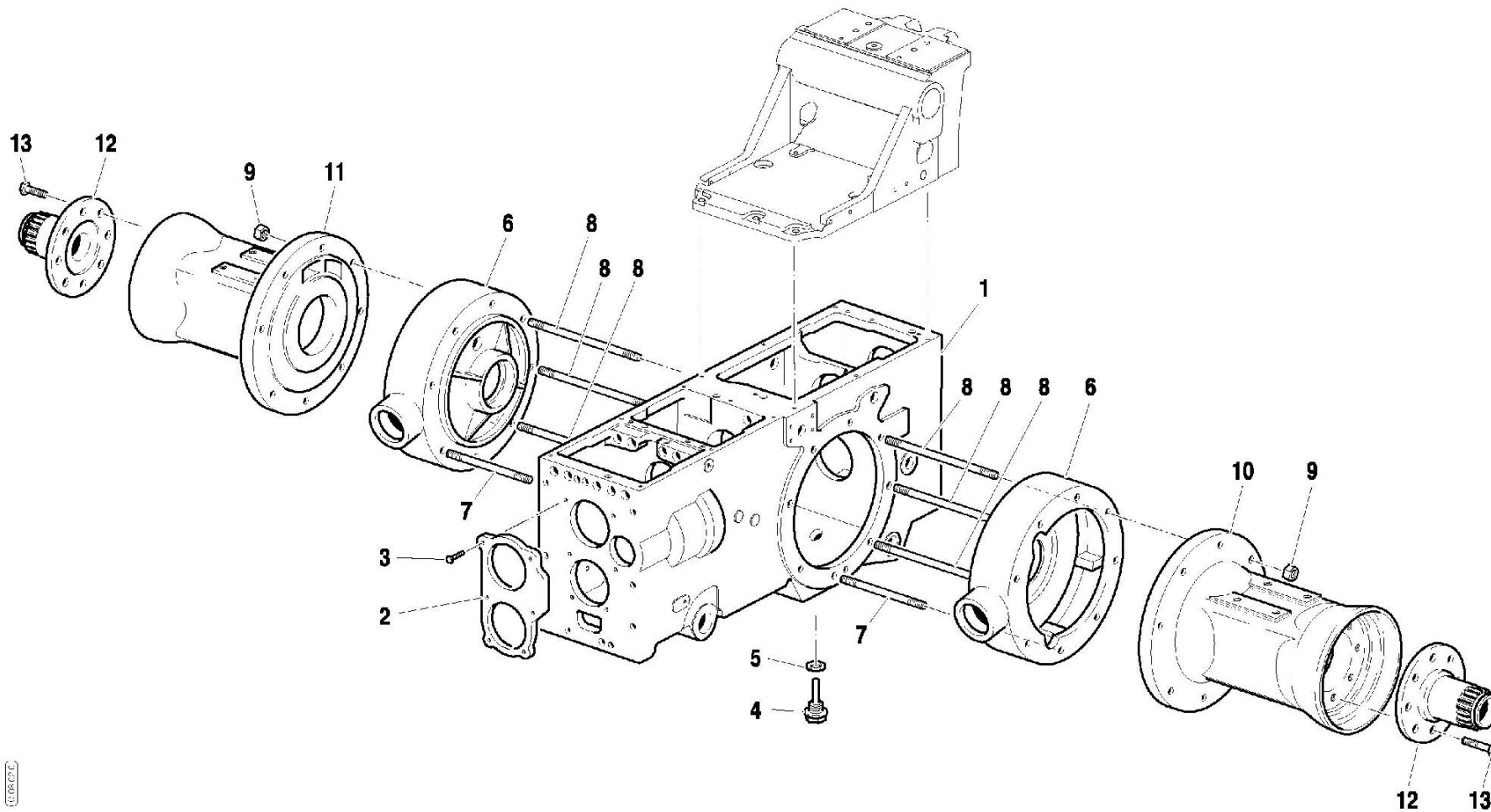
Pos.	Code	Q.ty	Description	Notes
26.2	56274889	0	BUSHING	
27	58170013	0	SCREW	
28	56474013	0	PIN	
29	55174429	0	BELLOWS	
30	56174446	0	FIXING BRACKET	
31	31132562	0	SCREW TSVEI M6X16 UNI 5933	
32	31112093	0	SCREW TE M6X20 UNI 5739 8G	
33	F0814547000	0	SELFLOCK NUT M6	



PONTE POSTERIORE
 REAR AXLE
 PONT ARRIERE
 HINTERACHSE
 PUENTE TRASERO

Validità		
70	80	90
		AR-M AR-R

Tavola	Rev.	Data
C.03.02	0	05/2003



Pos.	Code	Q.ty	Description	Notes
1	51173821	0	GEAR BOX	
2	51173650	0	FRONT COVER	
3	31112151	0	SCREW TE M8X25 UNI 5739 8G	
4	58170021	0	PLUG	
5	F0844273090	0	GASKET 22X28X1,5 CU 99,5	
6	51170020	0	BRAKE HOUSING	
7	31313300	0	STUD BOLT M14X1,5X105	
8	31313320	0	STUD BOLT M14X1,5X120	
9	F0814750010	0	NUT M14X1,5	
10	51173802	0	REAR AXLE HOUSING	
11	51173801	0	REAR AXLE HOUSING	
12	56373800	0	SUPPORT	
13	F0863890010	0	SCREW M12x1,75x35	

SERIAL

REAR AXLE

Power: 70 CV, 80 CV, 90 CV

CODE REV

C0302_0_16058

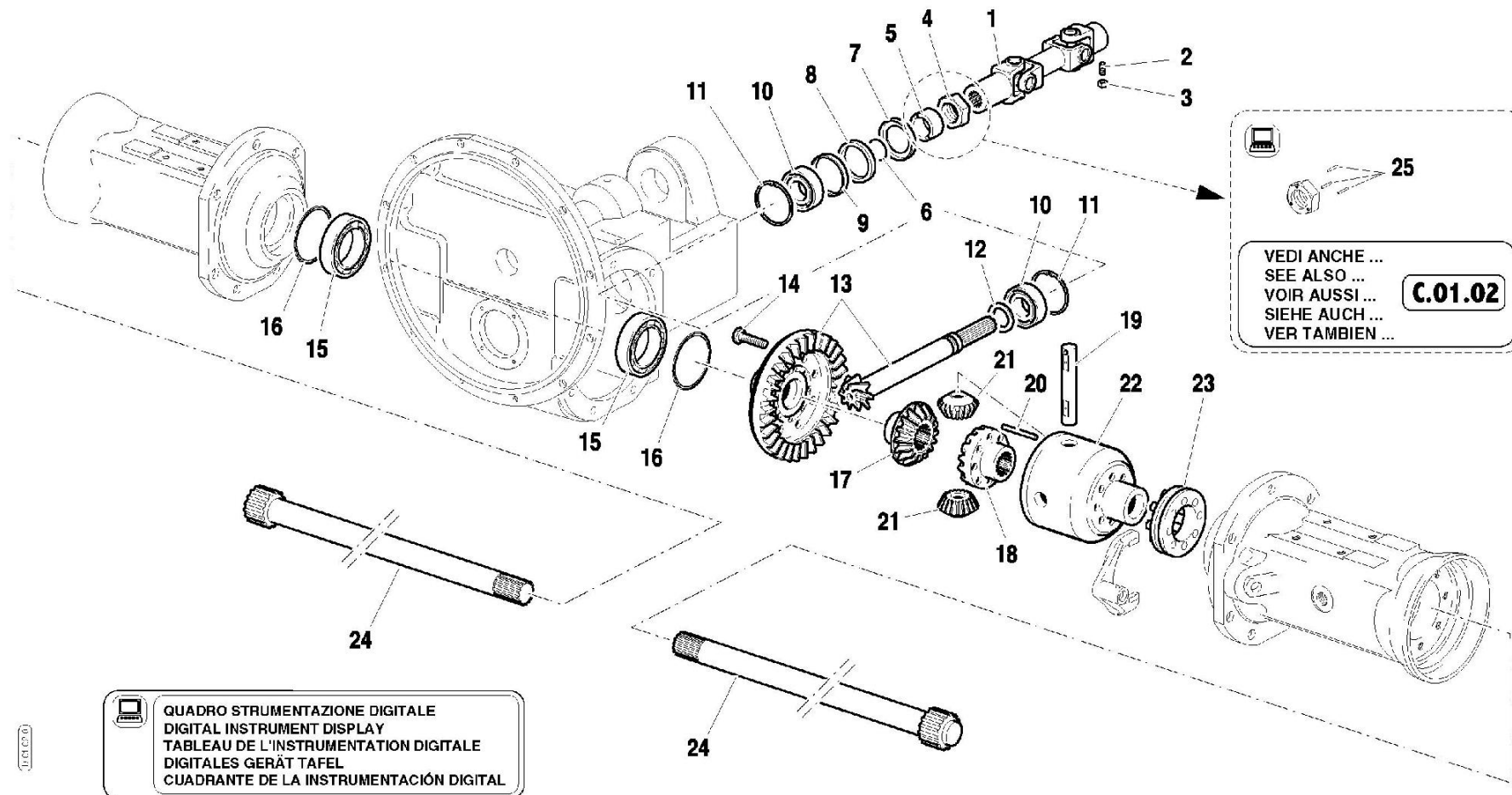


TRASMISSIONE ANTERIORE
FRONT TRANSMISSION
TRANSMISSION AVANT
VORDERANTRIEB
TRANSMISION DELANTERA

Validità		
70	80	90
	AR-M	AR-R

Tavola	Rev.	Data
D.01.02	0	05/2003

1/1



Pos.	Code	Q.ty	Description	Notes
1	58174552	0	JOINT	
2	F0862593050	0	SCREW M8X20 UNI 5927	
3	F0814574000	0	NUT M8	
4	56372536	0	RING NUT	
5	56470215	0	SPACER	
6	F0803078100	0	O-RING 2125	
7	56170214	0	PROTECTIVE RING D=72	
8	F0802239045	0	SEAL 50x72x8	
9	56170213	0	SPACER	
10	F0812859000	0	BEARING 32207	
11	F0801422010	0	SEEGER RING I 72x3	
12	56370209	0	SHIM	
12	56370210	0	SHIM	
12	56370211	0	SHIM	
12	56370212	0	SHIM	
13	59374548	0	BEVEL GEAR	
14	F0863311250	0	SCREW M10x1,5x32	
15	F0812956000	0	BEARING 32010 X/Q	
16	56370089	0	RING	
16	56370127	0	RING	
16	56370128	0	RING	
17	52470062	0	PINION	
18	52470061	0	PINION	
19	56471036	0	PIN	
20	56371037	0	PIN	
21	52470067	0	DIFFERENTIAL PINION	
22	51371035	0	HOUSING	
23	59070065	0	SLEEVE	
24	56470813	0	AXLE SHAFT	
25	F0851044000	0	PIN 3,0X26 DIN 1481 CL:C72	

SERIAL

FRONT TRANSMISSION
Power: 70 CV, 80 CV, 90 CV

CODE REV

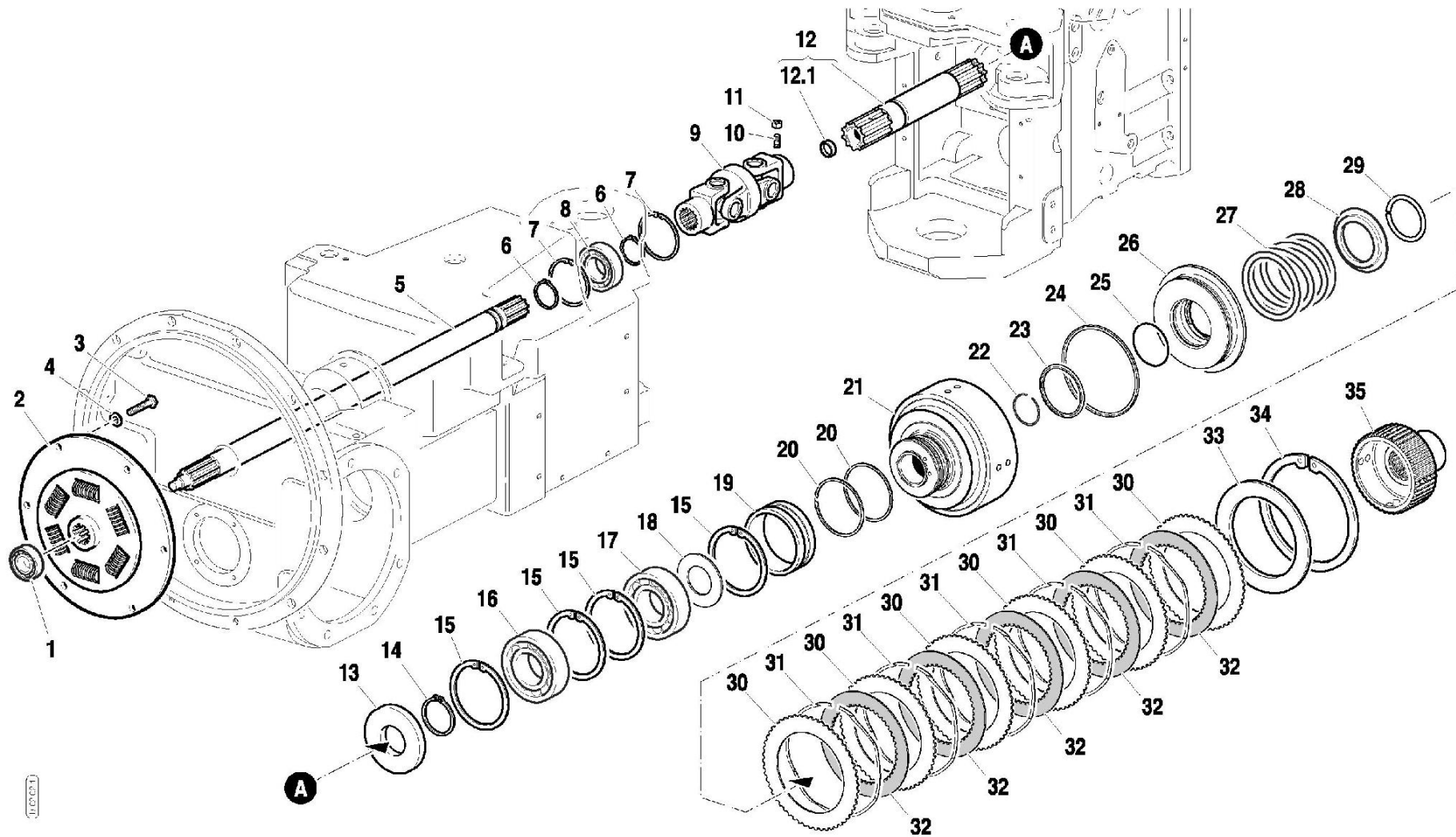
D0102_0_16108



ALBERO ANTERIORE FRIZIONE / FRIZIONE CAMBIO
 CLUTCH FRONT SHAFT/ TRANSMISSION CLUTCH
 ARBRE ANTÉRIEUR EMBRAYAGE/EMBAYAGE TRANSMISSION
 KUPPLUNGSVORDERWELLE/FAHRKUPPLUNG
 EJE DELANTERO EMBRAGUE/ EMBRAGUE TRANSMISSION

Validità		
70	80	90
	AR-M	AR-R
901281		→

Tavola	Rev.	Data
D.02.02	1	05/2003



10001

Pos.	Code	Q.ty	Description	Notes
1	F0812523050	0	BEARING 6201-2RS	
2	58174716	0	JOINT	
3	31112148	0	SCREW TE M8X18 UNI 5739 8G	
4	31421083	0	WASHER	
5	56573661	0	FRONT CLUTCH SHAFT	
6	35121030	0	SEEGER RING E 30 DIN 471	
7	35111062	0	SEEGER RING I 62 DIN 472	
8	37112302	0	BEARING	
9	58173664	0	CARDAN JOINT	
10	F0862593050	0	SCREW M8X20 UNI 5927	
11	F0814574000	0	NUT M8	
12	59273659	0	SHAFT	
12.1	58073461	0	PLUG	
13	F0802163010	0	SEAL 35x80/10	
14	F0801264050	0	SEEGER RING E 35X2,5 U/7436	
15	35111080	0	SEEGER RING I 80 DIN 472	
16	37111354	0	BEARING	
17	F0812868060	0	BEARING 6307-Z (35X80X21)	
18	56371162	0	SHIM	
19	56470002	0	BUSHING	
20	58170306	0	SEAL	
21	52573648	0	CLUTCH HOUSING	
22	F0801266100	0	SAFETY RING	
23	58170443	0	GASKET	
24	58172400	0	GASKET	
25	38104412	0	O-RING 3175 (44,12X2,62)	
26	53273025	0	PISTON	
27	58070262	0	RESTORING SPRING	
28	56370267	0	RING	
29	58070268	0	CIRCLIP	
30	58170034	0	DISC	
31	58172106	0	SPRING	
32	58172105	0	DISC	
33	56370037	0	CLUTCH DISC	

SERIAL

CLUTCH FRONT SHAFT/ TRANSMISSION CLUTCH

Power: 70 CV, 80 CV, 90 CV

CODE REV

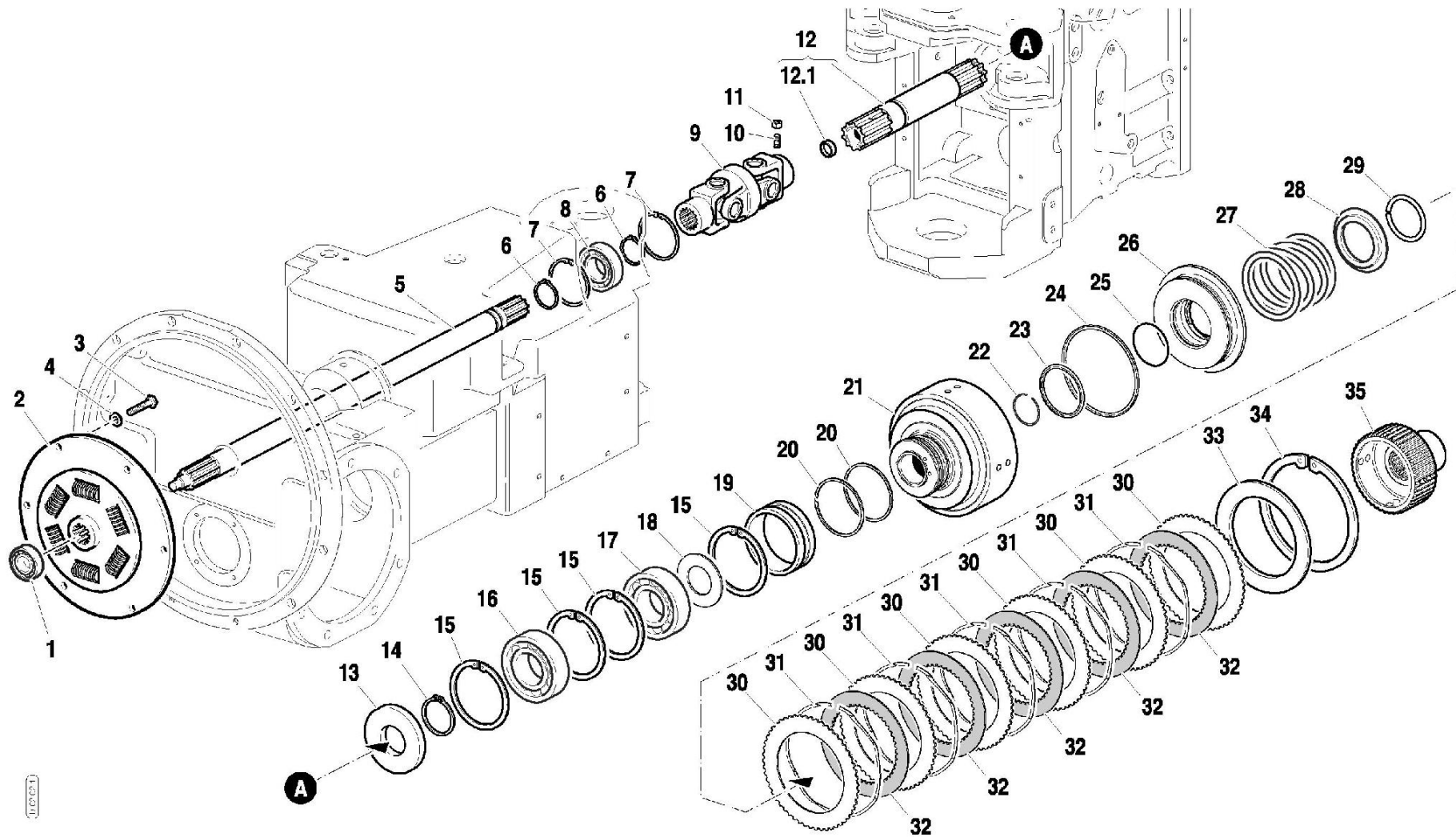
D0202_1_16246



ALBERO ANTERIORE FRIZIONE / FRIZIONE CAMBIO
 CLUTCH FRONT SHAFT/ TRANSMISSION CLUTCH
 ARBRE ANTÉRIEUR EMBRAYAGE/EMBAYAGE TRANSMISSION
 KUPPLUNGSVORDERWELLE/FAHRKUPPLUNG
 EJE DELANTERO EMBRAGUE/ EMBRAGUE TRANSMISSION

Validità		
70	80	90
	AR-M	AR-R
901281		→

Tavola	Rev.	Data
D.02.02	1	05/2003



10001

Pos.	Code	Q.ty	Description	Notes
34	F0801455100	0	SEEGER RING I 135 UNI 7437	
35	52473655	0	HUB	

SERIAL

CLUTCH FRONT SHAFT/ TRANSMISSION CLUTCH

Power: 70 CV, 80 CV, 90 CV

CODE REV

D0202_1_16246

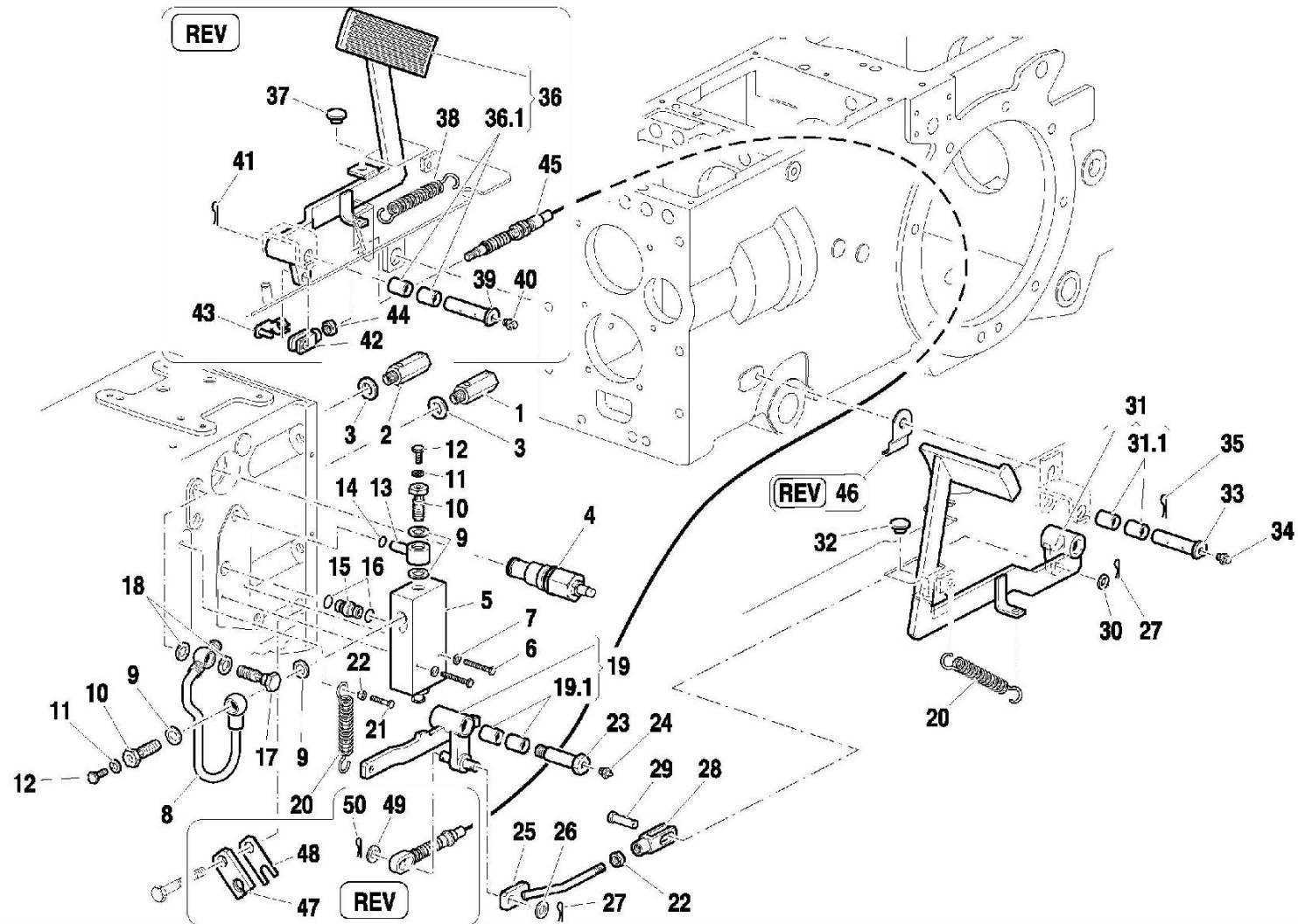


COMANDI FRIZIONE
 CLUTCH CONTROLS
 COMMANDES EMBRAYAGE
 KUPPLUNGSSTEUERUNGEN
 COMANDOS EMBRAGUE

Validità				
70	80	90		
RS-M	RS-R	MT	AR-M	AR-R

Tavola **D.03.01** - Rev. **0**

Data 05/2003



1053410

Pos.	Code	Q.ty	Description	Notes
1	59271860	0	VALVE	
2	59271859	0	SAFETY VALVE	
3	F0843841000	0	COPPER WASHER 12,0x18/1,5	
4	58173961	0	VALVE	
5	58173030	0	SWITCH	
6	F0862345000	0	SCREW M6X40 UNI 5737	
7	F0843581010	0	SPRING WASHER 6	
8	59074741	0	PIPE	
9	F0843907000	0	COPPER WASHER 13,66x19/1,5	
10	58074558	0	PIPE FITTING	
11	F0843641000	0	COPPER WASHER 8x14/1,5	
12	F0862448100	0	SCREW M8X10 UNI 5740	
13	59074623	0	PRESSURE PIPE	
14	F0803171100	0	O-RING 112	
15	56170029	0	PIPE FITTING	
16	F0803057000	0	O-RING 2037	
17	F0843109020	0	PIPE FITTING	
18	F0824110000	0	COPPER WASHER 3/8 GAS	
19	59073725	0	ROCKER	
19.1	58173195	0	BUSHING	
20	58070790	0	RESTORING SPRING	
21	F0862694000	0	SCREW M8X170 UNI 5737	
22	F0814569000	0	NUT M8 UNI 5589 CL:8	
23	56173684	0	PIN	
24	30000007	0	LUBRICATOR	
25	59073685	0	ROD	
26	31411105	0	WASHER 10,5x21	
27	F0810510000	0	SPLIT PIN A2,0X20 UNI 1336	
28	56074302	0	FORK	
29	F0835523000	0	PIN	
30	31411084	0	WASHER 8,4x17	
31	59074206	0	CLUTCH PEDAL	
31.1	58173195	0	BUSHING	
32	F0822537050	0	BUFFER	

SERIAL

CLUTCH CONTROLS
Power: 70 CV, 80 CV, 90 CV

CODE REV

D0301_0_16283

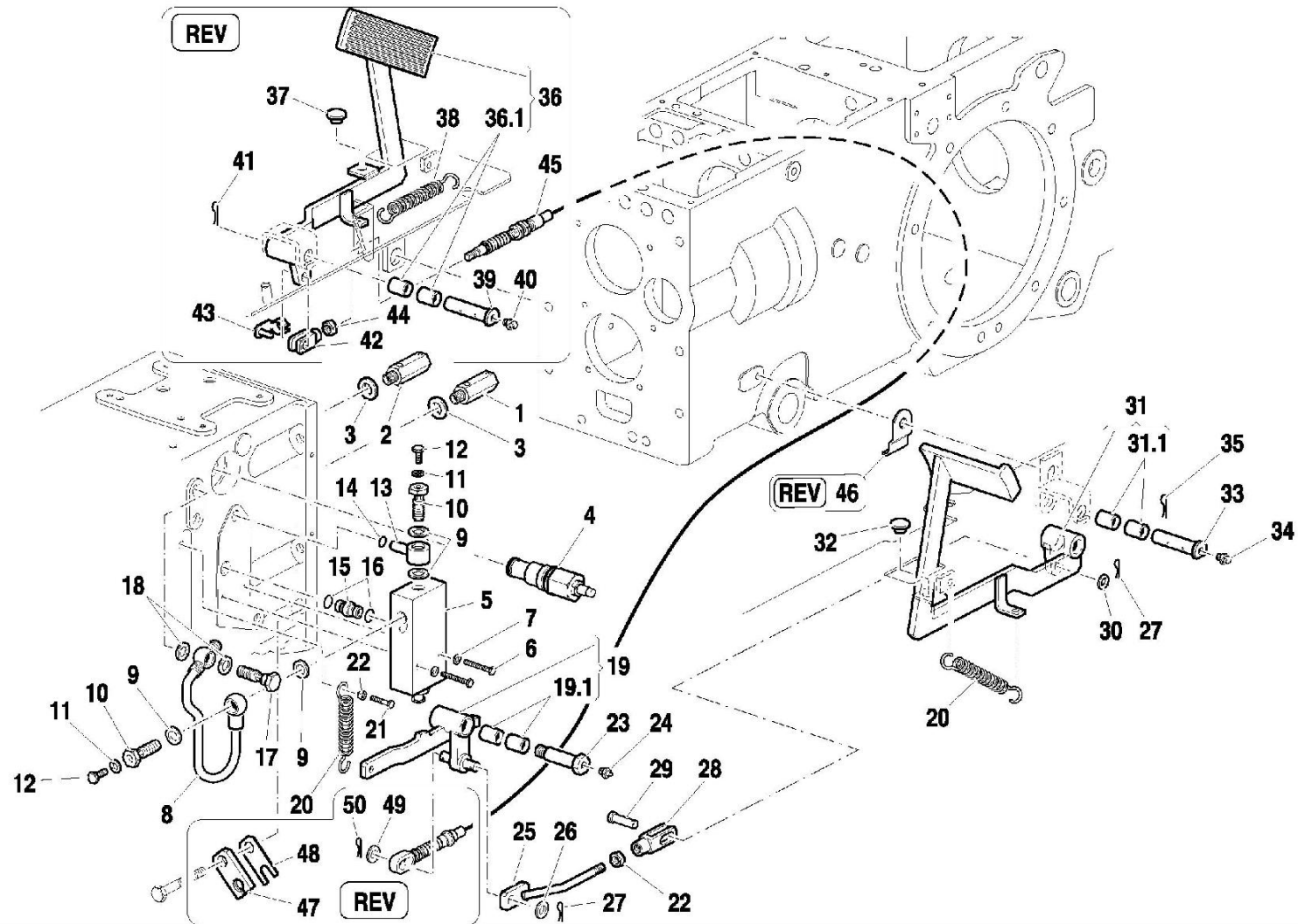


COMANDI FRIZIONE
 CLUTCH CONTROLS
 COMMANDES EMBRAYAGE
 KUPPLUNGSSTEUERUNGEN
 COMANDOS EMBRAGUE

Validità				
70	80	90		
RS-M	RS-R	MT	AR-M	AR-R

Tavola **D.03.01** - Rev. **0**

Data 05/2003



LUCASIO

Pos.	Code	Q.ty	Description	Notes
33	56373194	0	HINGE PIN	
34	F0826039000	0	LUBRICATOR	
35	F0810527000	0	SPLIT PIN A2,5X25 UNI 1336	
36	59074296	0	PEDAL	
36.1	58173195	0	BUSHING	
37	F0822537050	0	BUFFER	
38	58070790	0	RESTORING SPRING	
39	59074296	0	PEDAL	
40	F0826039000	0	LUBRICATOR	
41	F0810527000	0	SPLIT PIN A2,5X25 UNI 1336	
42	F0860060010	0	FORK	
43	F0860060020	0	PIN	
44	F0814569000	0	NUT M8 UNI 5589 CL:8	
45	58174417	0	CABLE	
46	56075230	0	BRACKET	
47	56174400	0	PLATE	
48	56174401	0	FIXING PLATE	
49	31411105	0	WASHER 10,5x21	
50	F0810510000	0	SPLIT PIN A2,0X20 UNI 1336	

SERIAL

CLUTCH CONTROLS
Power: 70 CV, 80 CV, 90 CV

CODE REV
D0301_0_16283

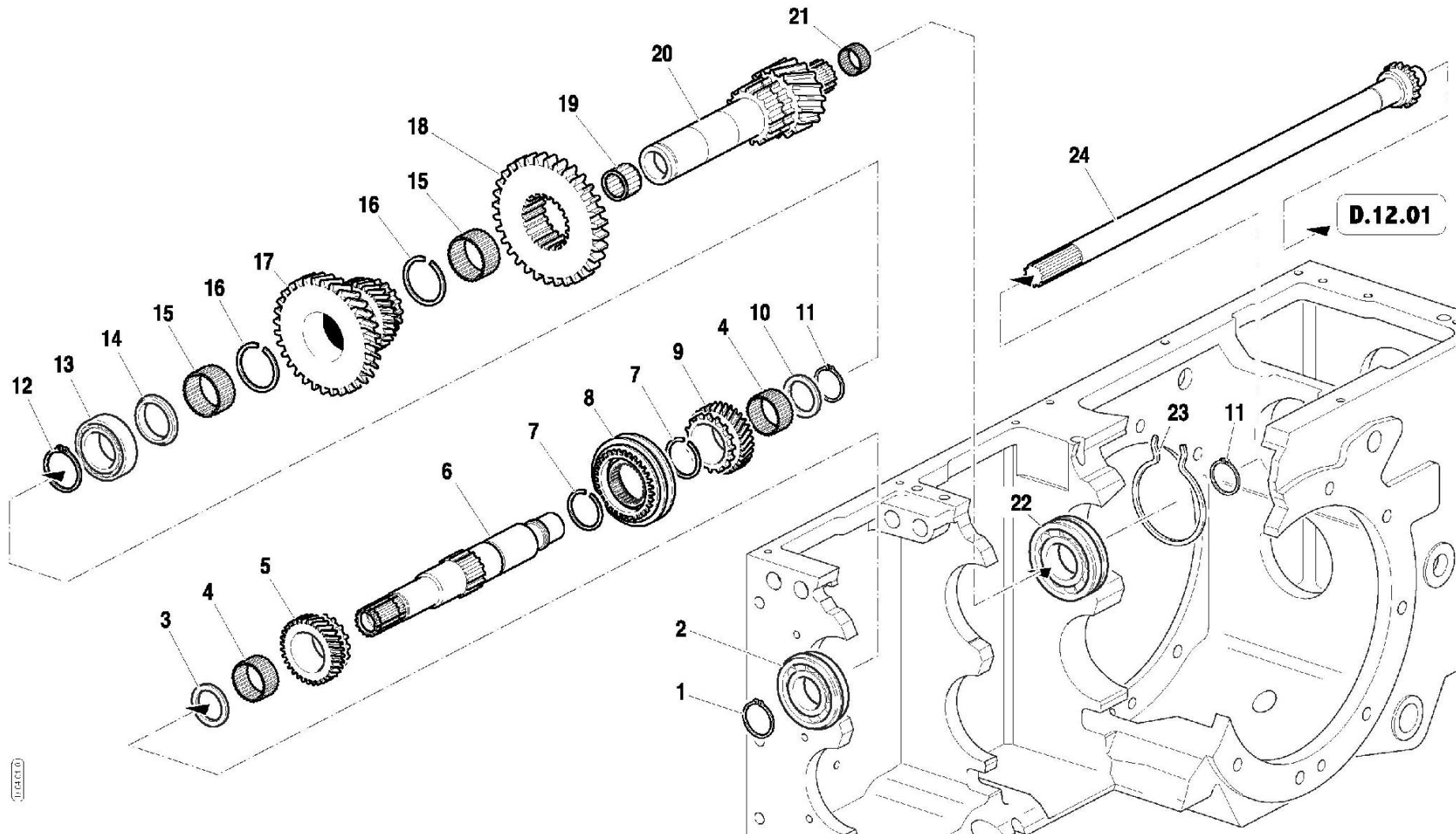


ALBERO ENTRATA CAMBIO, ALBERO PRIMARIO GAMME E INGRANAGGI
INPUT SHAFT/RANGES MAIN SHAFT/GEARS
ARBRE D'ENTRÉE/ARBRE PRIMAIRE GAMMES/ENGRENAGES
EINGANGSWELLE/REIHE HAUPTWELLE/ZAHNRÄDER
EJE D'ENTRADA/EJE PRIMARIO GAMAS/ENGRANAJES

Validità				
70	80	90		
RS-M	RS-R	MT	AR-M	AR-R

Tavola	Rev.	Data
D.04.01	0	05/2003

1/1



1000000

Pos.	Code	Q.ty	Description	Notes
1	F0801264050	0	SEEGER RING E 35X2,5 U/7436	
2	F0812868000	0	BEARING 6307-NR	
3	56470110	0	SHIM	
4	F0812878040	0	ROLLER CAGE K 40X45/27	
5	52473838	0	DRIVEN GEAR	
6	56473818	0	SHAFT	
7	F0801331150	0	SAFETY RING	
8	58170279	0	LOCK SYNCHRONIZER	
9	52473839	0	GEAR	
10	56470139	0	SHIM	
11	35121040	0	SEEGER RING E 40 DIN 471	
12	F0801353000	0	SEEGER RING E 50 UNI 7435	
13	F0812952000	0	BEARING 6010	
14	56470111	0	SHIM	
15	F0812951200	0	ROLLER CAGE K 50X55/20 H	
16	F0801380100	0	SAFETY RING	
17	52474254	0	DOUBLE GEAR	
18	52470762	0	SLIDING GEAR	
19	F0812783000	0	ROLLER CAGE K 32X38/20	
20	52475073	0	OUTPUT SHAFT	
21	F0812660020	0	ROLLER CAGE K 22X26/17	
22	F0812918010	0	BEARING 6308-NR (40x90x23)	
23	58170130	0	CIRCLIP	
24	52473656	0	SHAFT	

SERIAL

INPUT SHAFT/RANGES MAIN SHAFT/GEARS

Power: 70 CV, 80 CV, 90 CV

CODE REV

D0401_0_16337

FERRARI*Thor*

ALBERO PRIMARIO CAMBIO E INGRANAGGI
GEARS MAIN SHAFT/GEARS
ARBRE PRIMAIRE MARCHES/ENGRENAGES
GÄNGE HAUPTWELLE/ZAHNRÄDER
EJE PRIMARIO MARCHAS/ENGRANAJES

Validità

70		80		90	
RS-M	RS-R	MT	AR-M	AR-R	

Tavola

D.05.01

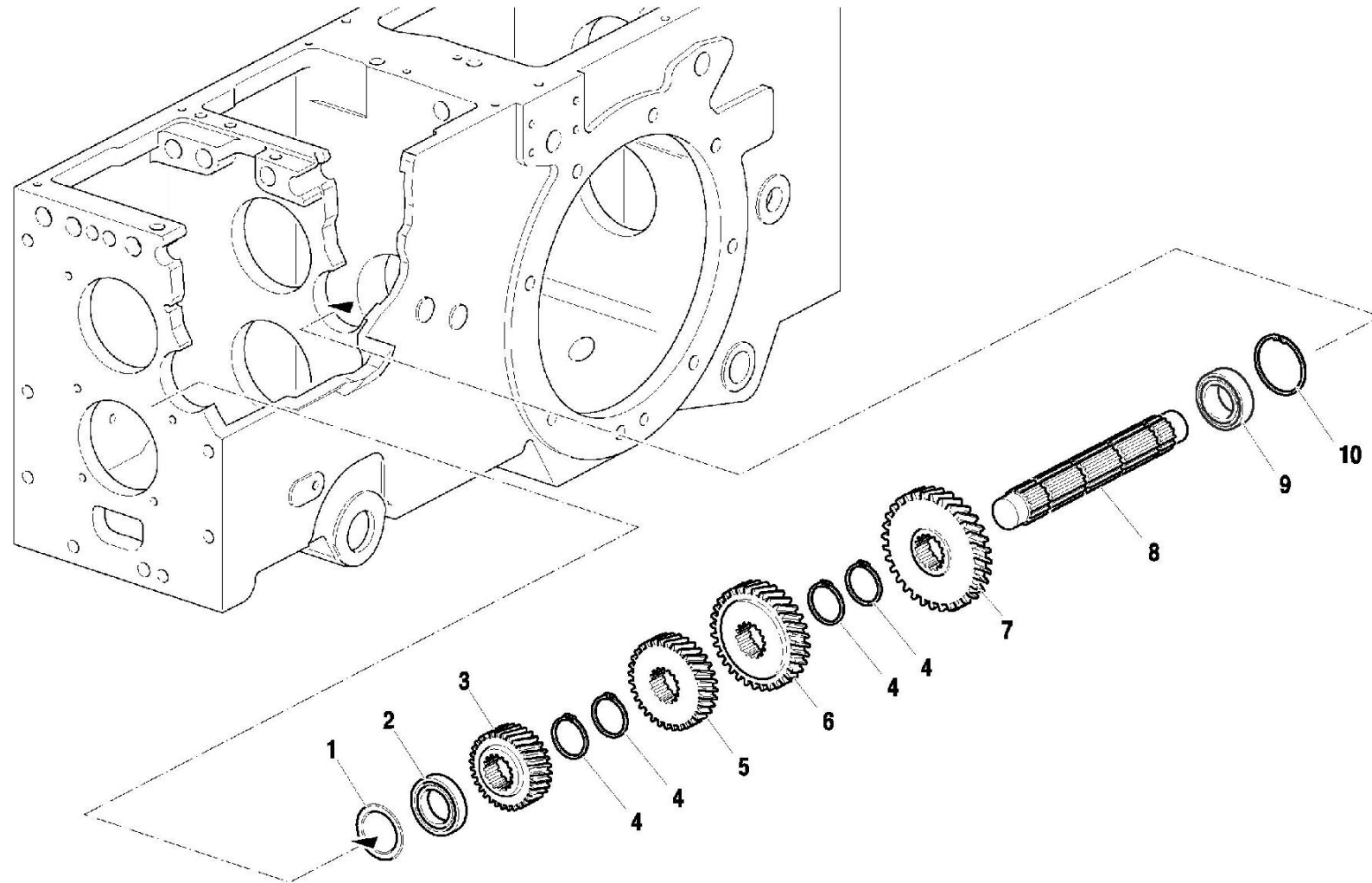
Rev.

0

Data

05/2003

1/1



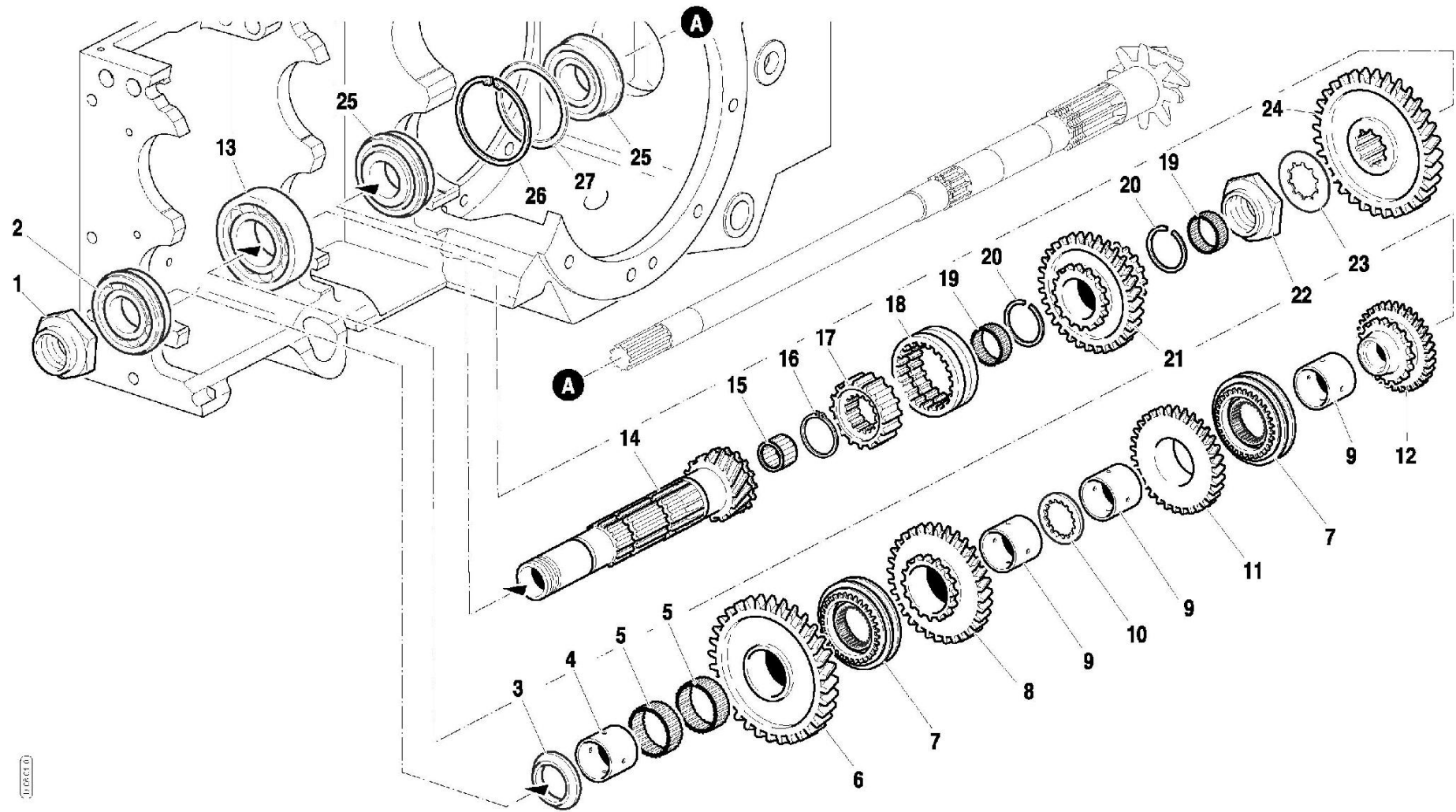
Pos.	Code	Q.ty	Description	Notes
1	F0850100000	0	SHIM 41x51/0,2	
1	F0850100010	0	SHIM 41x51/0,3	
1	F0850100020	0	SHIM 41x51/0,5	
2	F0812708030	0	BEARING NJ 205E	
3	52473828	0	GEAR	
4	F0801241010	0	SEEGER RING E 30 UNI 7436	
5	52473829	0	GEAR	
6	52473830	0	GEAR	
7	52473831	0	GEAR	
8	52473827	0	OUTPUT SHAFT	
9	37111255	0	BEARING	
10	35111052	0	SEEGER RING I 52 DIN 472	



ALBERO SECONDARIO CAMBIO E INGRANAGGI
 GEARS TRANSMISSION SHAFT/GEARS
 ARBRE SECONDAIRE MARCHES/ENGRENAGES
 GÄNGE VORGELEGEWELLE/ZAHNRÄDER
 EJE SECUNDARIO MARCHAS/ENGRANAJES

Validità				
70	80	90		
RS-M	RS-R	MT	AR-M	AR-R

Tavola	Rev.	Data
D.06.01	0	05/2003



Pos.	Code	Q.ty	Description	Notes
1	56373840	0	RING NUT	
2	F0812899000	0	BEARING 6208-NR	
3	52473833	0	THRUST PLATE	
4	56570219	0	BUSHING	
5	F0812951070	0	ROLLER CAGE K 47X52/17 H	
6	52473834	0	DRIVEN GEAR	
7	58171139	0	LOCK SYNCHRONIZER	
8	52473835	0	DRIVEN GEAR	
9	56470138	0	BUSHING	
10	56470137	0	SHIM	
11	52473836	0	DRIVEN GEAR	
12	52473837	0	DRIVEN GEAR	
13	F0812957000	0	BEARING 6210 (50/90/20)	
14	52474251	0	COUNTERSHAFT	
15	F0812692015	0	ROLLER CAGE K 25X35/25	
16	35121035	0	SEEGER RING E 35 DIN 471	
17	52470118	0	SLEEVE	
18	52470117	0	SLIDING SLEEVE	
19	F0812811000	0	ROLLER CAGE K 35X40/17	
20	F0801299100	0	SAFETY RING	
21	52474253	0	DOUBLE GEAR	
22	56370761	0	RING NUT	
23	56170760	0	RETAINING WASHER SP.1,0	
23	56174692	0	RETAINING WASHER SP.0,8	
23	56174693	0	RETAINING WASHER SP.0,9	
23	56174694	0	RETAINING WASHER SP.1,1	
23	56174695	0	RETAINING WASHER SP.1,2	
24	56175367	0	RETAINING WASHER SP.1,3	
24	52474252	0	DRIVEN GEAR	
25	F0812904000	0	BEARING 30208 (40-80/19,75)	
26	35111080	0	SEEGER RING I 80 DIN 472	
27	56370089	0	RING	
27	56370127	0	RING	
27	56370128	0	RING	

SERIAL

GEARS TRANSMISSION SHAFT/GEARS

Power: 70 CV, 80 CV, 90 CV

CODE REV

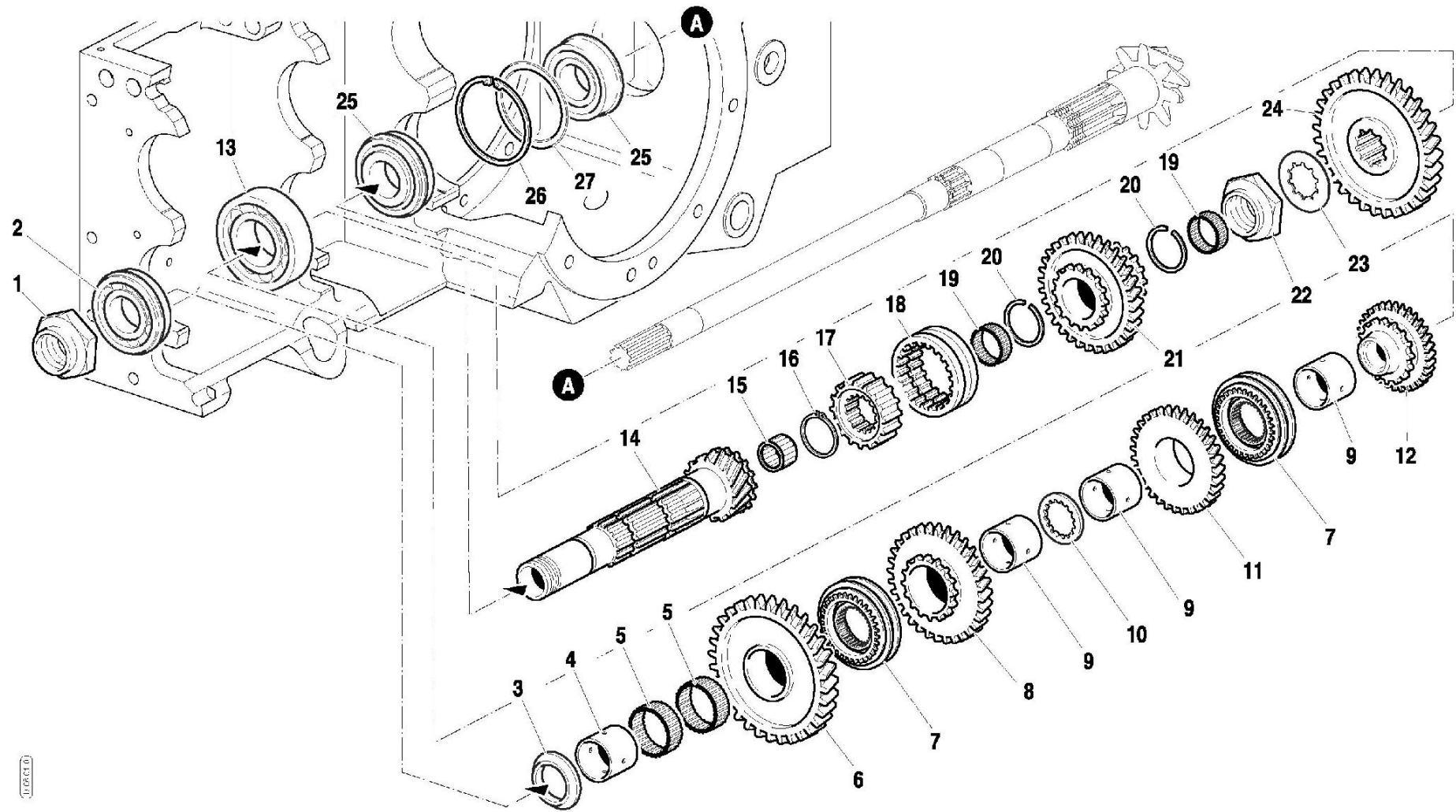
D0601_0_16375



ALBERO SECONDARIO CAMBIO E INGRANAGGI
 GEARS TRANSMISSION SHAFT/GEARS
 ARBRE SECONDAIRE MARCHES/ENGRENAGES
 GÄNGE VORGELEGEWELLE/ZAHNRÄDER
 EJE SECUNDARIO MARCHAS/ENGRANAJES

Validità				
70	80	90		
RS-M	RS-R	MT	AR-M	AR-R

Tavola	Rev.	Data
D.06.01	0	05/2003



Pos.	Code	Q.ty	Description	Notes
27	56370830	0	RING	

SERIAL

GEARS TRANSMISSION SHAFT/GEARS

Power: 70 CV, 80 CV, 90 CV

CODE REV

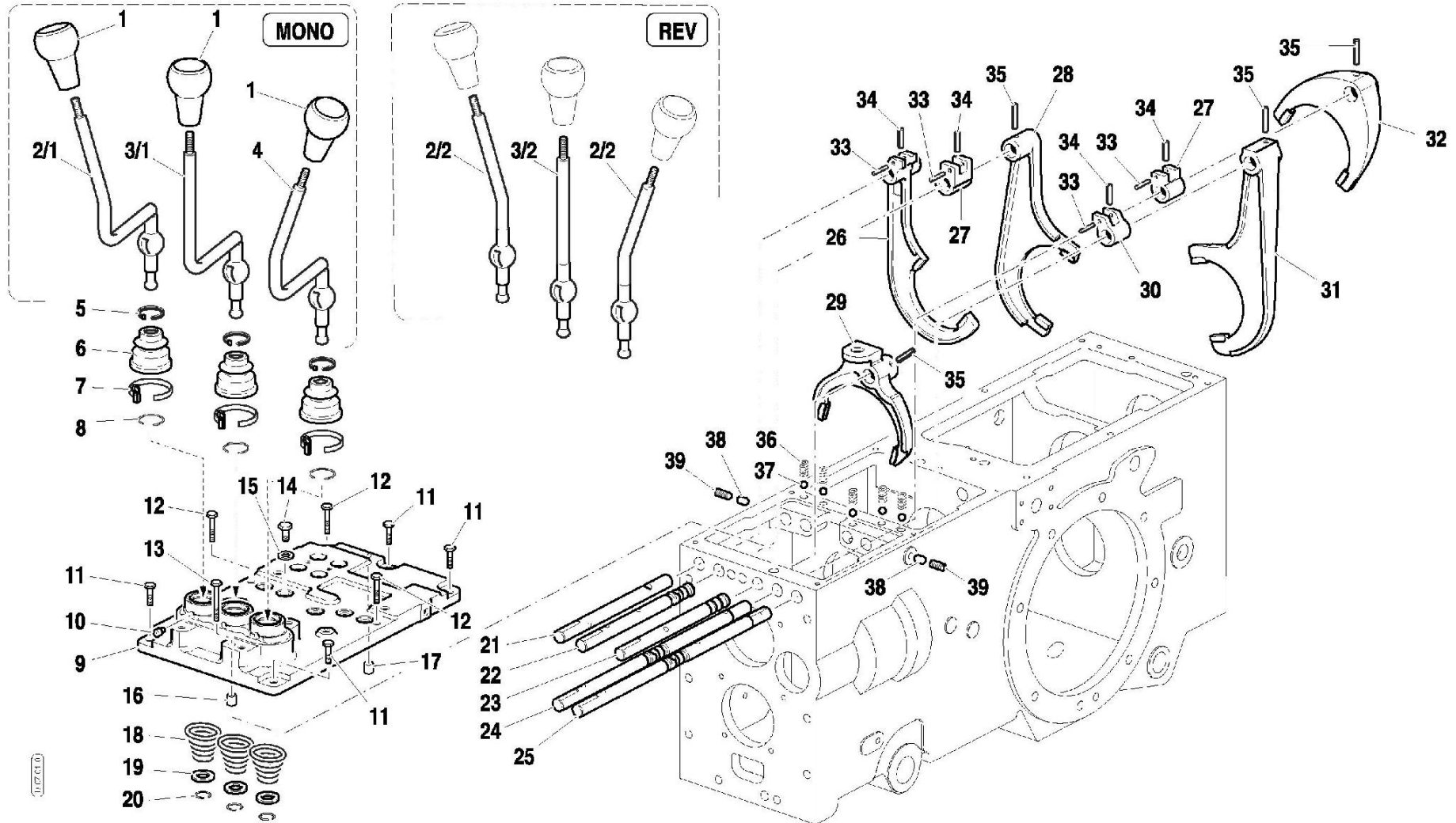
D0601_0_16375



COMANDI CAMBIO
 GEARBOX CONTROLS
 COMMANDES BOITE DE VITESSE
 GETRIEBESTEUERUNGEN
 MANDOS DE CAMBIO

Validità				
70	80	90		
RS-M	RS-R	MT	AR-M	AR-R

Tavola	Rev.	Data
D.07.01	0	05/2003



Pos.	Code	Q.ty	Description	Notes
1	58174192	0	HANDLE	
2/1	59074185	0	COMMAND LEVER	
2/2	52374189	0	COMMAND LEVER	
3/1	59074387	0	COMMAND LEVER	
3/2	52374386	0	COMMAND LEVER	
4	59074188	0	COMMAND LEVER	
5	F0817640003	0	CLAMP 4,8x180	
6	55170053	0	CAP	
7	58170054	0	COLLAR	
8	58070169	0	LOCKRING	
9	51174394	0	COVER	
10	56370018	0	HINGE PIN	
11	31112146	0	SCREW TE M8X22 UNI 5739 8G	
12	31112152	0	SCREW TE M8X30 UNI 5739 8G	
13	F0862944000	0	SCREW M8X60 UNI 5737	
14	56370186	0	PLUG	
15	F0843771000	0	COPPER WASHER 10,0x16/1	
16	56170017	0	PIN	
17	56570016	0	CYLINDRICAL PLUG	
18	58070164	0	SPRING	
19	56370172	0	SPACER	
20	58070168	0	LOCKRING	
21	56371065	0	PULL ROD	
22	56370177	0	PULL ROD	
23	56370165	0	ROD	
24	56373213	0	PULL ROD	
25	56370154	0	PULL ROD	
26	52274299	0	SELECTOR FORK	
27	52374297	0	CATCH	
28	52272112	0	SELECTOR FORK	
29	52273364	0	SELECTOR FORK	
30	52374298	0	CATCH	
31	51273893	0	SELECTOR FORK	
32	51270771	0	SELECTOR FORK	

SERIAL

GEARBOX CONTROLS
Power: 70 CV, 80 CV, 90 CV

CODE REV

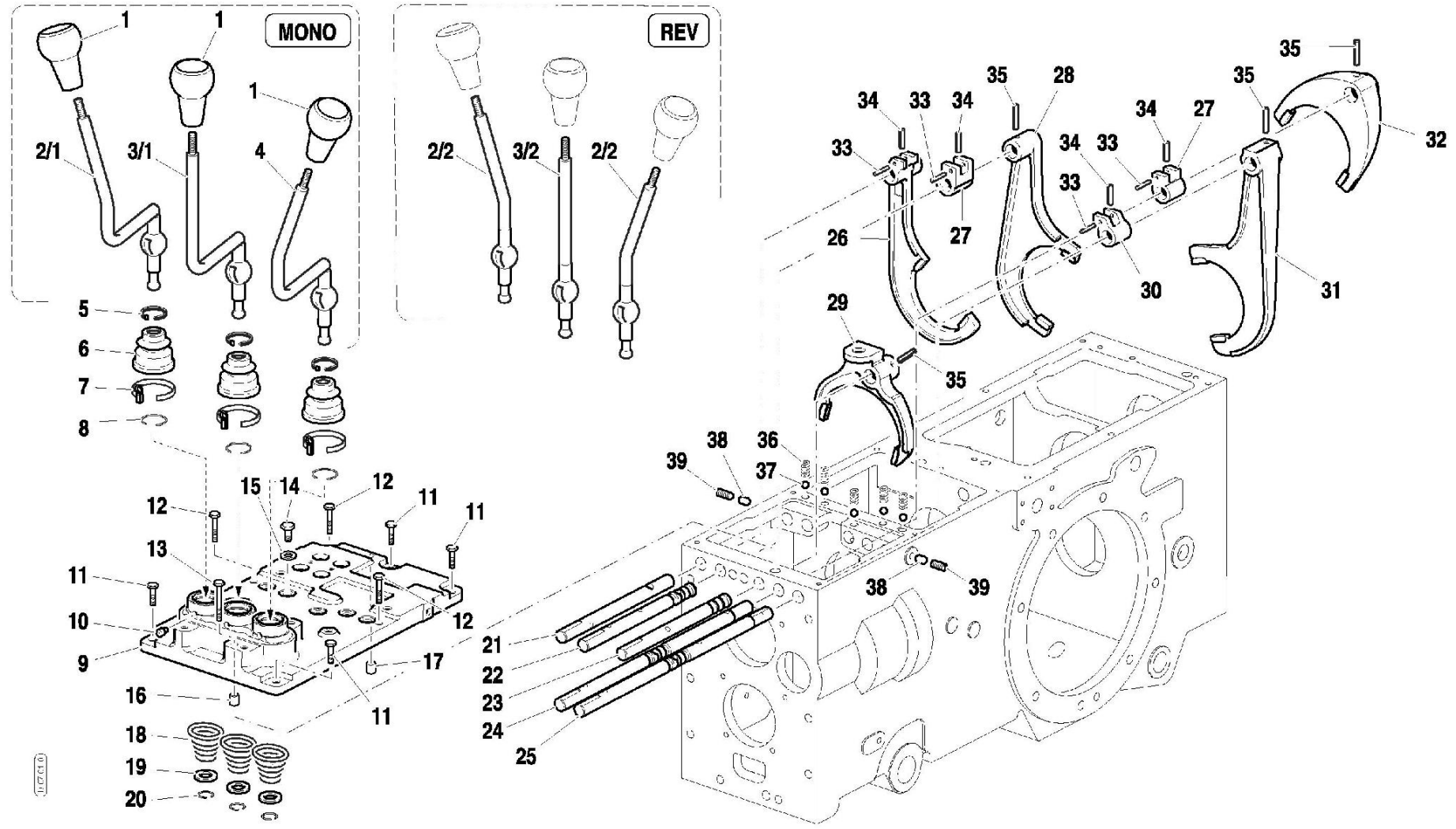
D0701_0_16411



COMANDI CAMBIO
 GEARBOX CONTROLS
 COMMANDES BOITE DE VITESSE
 GETRIEBESTEUERUNGEN
 MANDOS DE CAMBIO

Validità				
70	80	90		
RS-M	RS-R	MT	AR-M	AR-R

Tavola	Rev.	Data
D.07.01	0	05/2003



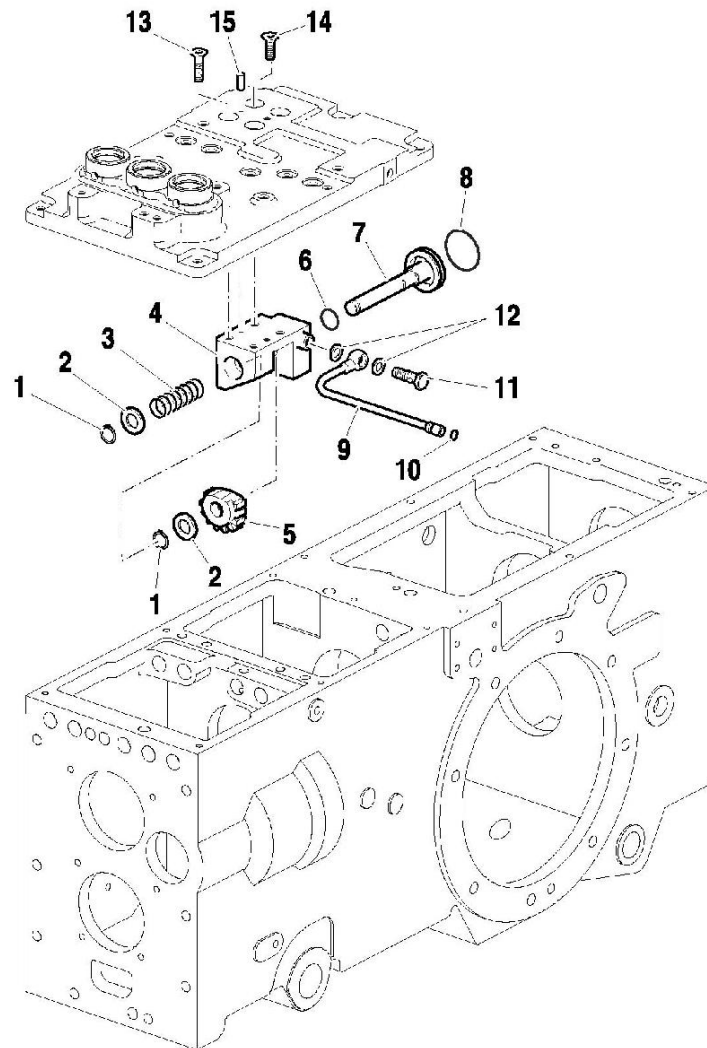
Pos.	Code	Q.ty	Description	Notes
33	F0851156000	0	PIN 4X30 DIN 1481 CL:C72	
34	F0851262000	0	PIN 6X26 DIN 7343 CL:C72	
35	F0851267050	0	PIN 6X30 DIN 7343 CL:C72	
36	58070741	0	SPRING	
37	F0847434000	0	BALL	
38	56570125	0	TOGGLE	
39	F0863183000	0	SCREW M10X16 UNI 5923	



LOCK MECCANICO
MECHANICAL LOCK
LOCK MECANIQUE
MECHANISCHES LOCK
LOCK MECANICO

Validità				
70	80	90		
RS-M	RS-R	MT	AR-M	AR-R

Tavola	Rev.	Data
D.08.01	0	05/2003



Pos.	Code	Q.ty	Description	Notes
1	35121014	0	SEEGER RING E 14 DIN 471	
2	F0843957000	0	WASHER D.25x14,5/2,2	
3	58072107	0	SPRING	
4	59074438	0	SMALL BLOCK	
5	56475839	0	SMALL BLOCK	
6	F0803186000	0	O-RING 123	
7	59272073	0	PISTON	
8	38114070	0	O-RING	
9	59074436	0	PIPE	
10	F0803050000	0	O-RING 2025	
11	F0843102000	0	THR. TERMINAL END M10X1,25X20	
12	F0843771000	0	COPPER WASHER 10,0x16/1	
13	F0862655000	0	SCREW M8X25-5933	
14	F0862549000	0	SCREW M8X18 UNI 5933	
15	52074435	0	CYLINDRICAL PLUG	

SERIAL

MECHANICAL LOCK
Power: 70 CV, 80 CV, 90 CV

CODE REV

D0801_0_16453

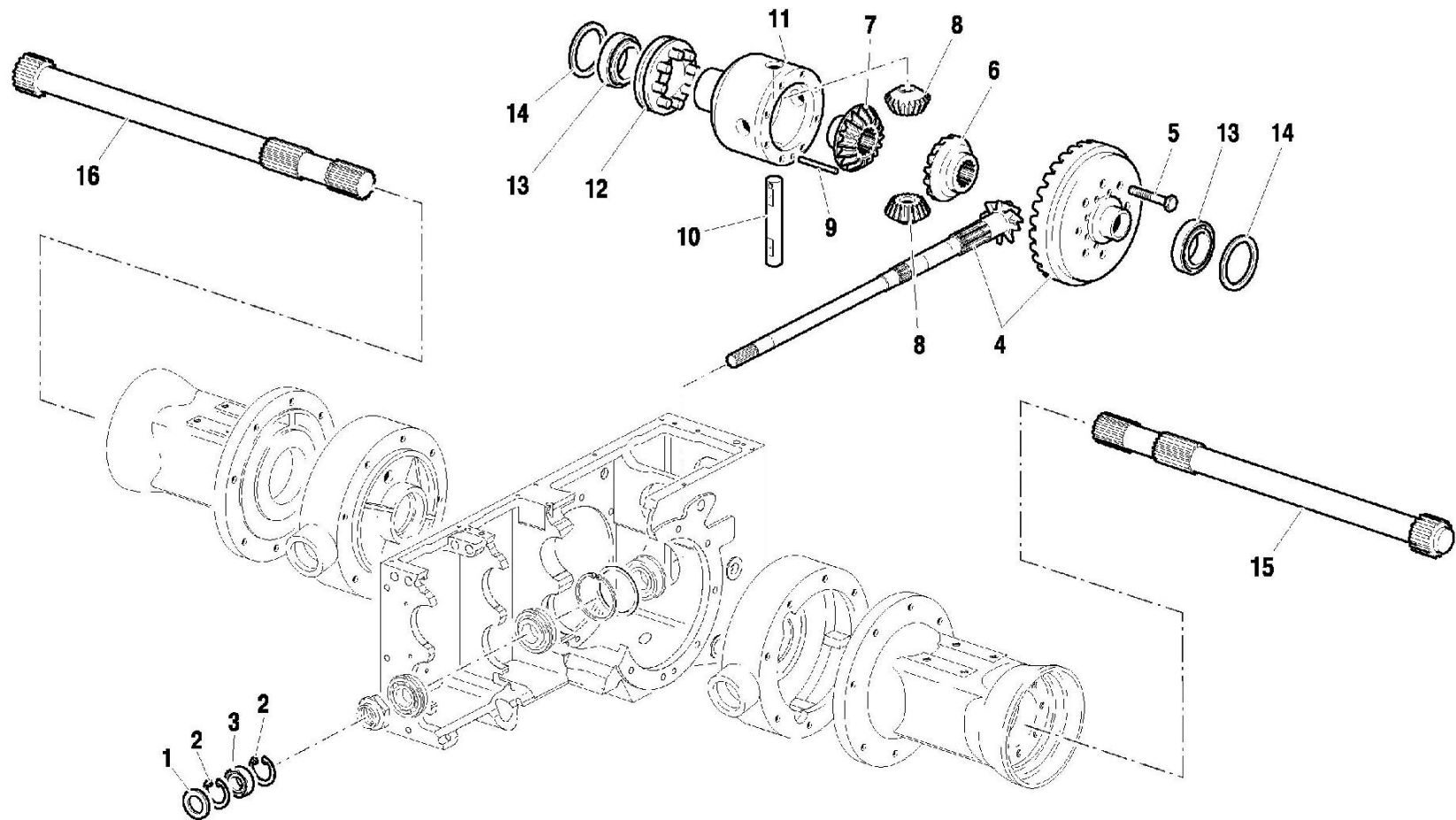
FERRARI*Thor*

TRASMISSIONE POSTERIORE
REAR TRANSMISSION
TRANSMISSION ARRIERE
HINTERANTRIEB
TRASMISION TRASERA

Validità		
70	80	90
		AR-M AR-R

Tavola	Rev.	Data
D.09.02	0	05/2003

1/1



D.09.02

Pos.	Code	Q.ty	Description	Notes
1	F0802104000	0	OIL SEAL 25x62/10	
2	35111062	0	SEGER RING I 62 DIN 472	
3	37111254	0	BEARING	
4	59374549	0	BEVEL GEAR	
5	F0863311250	0	SCREW M10x1,5x32	
6	52470062	0	PINION	
7	52470061	0	PINION	
8	52470067	0	DIFFERENTIAL PINION	
9	56371037	0	PIN	
10	56471036	0	PIN	
11	51371035	0	HOUSING	
12	59070065	0	SLEEVE	
13	F0812956000	0	BEARING 32010 X/Q	
14	56370089	0	RING	
14	56370127	0	RING	
14	56370128	0	RING	
14	56370830	0	RING	
15	56470815	0	REAR AXLE SHAFT	
16	56470814	0	REAR AXLE SHAFT	

SERIAL

REAR TRANSMISSION
Power: 70 CV, 80 CV, 90 CV

CODE REV

D0902_0_16489

FERRARI*Thor*

RIDUTTORE EPICICLOIDALE
EPICYCLIC REDUCTION GEARS
REDUCTEURS ÉPICYCLOÏDAUX
PLANETENUNTERSETZER
REDUCTORES EPICICLOIDALES

Validità

70	80	90
RS-M	RS-R	MT
AR-M	AR-R	

Tavola

D.10.01

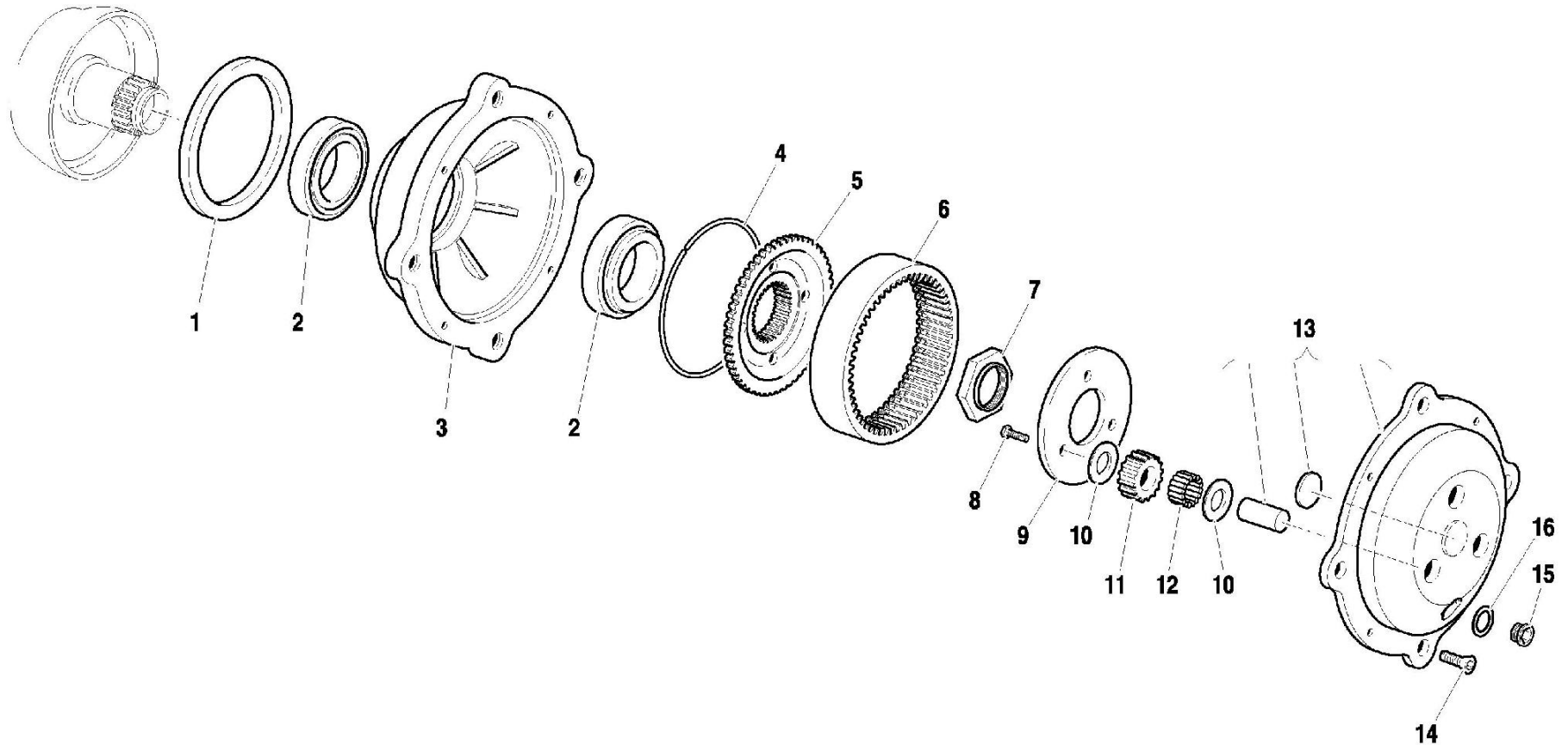
Rev.

0

Data

05/2003

1/1



Pos.	Code	Q.ty	Description	Notes
1	F0802700150	0	SEAL 125x150x12	
2	F0812975250	0	CYL. ROLLER BEARING 32013X	
3	51172005	0	HUB	
4	58070071	0	RING	
5	52370075	0	FLANGE	
6	52370072	0	CROWN WHEEL	
7	56370079	0	RING NUT	
8	F0862478070	0	SCREW M8x16	
9	56170074	0	ADJUSTING RING	
10	56370076	0	SHIM	
11	52470087	0	PLANETARY GEAR	
12	58170070	0	ROLLER BEARING	
13	59070094	0	COVER	
14	F0862655000	0	SCREW M8X25-5933	
15	56370081	0	PLUG	
16	F0844273090	0	GASKET 22X28X1,5 CU 99,5	



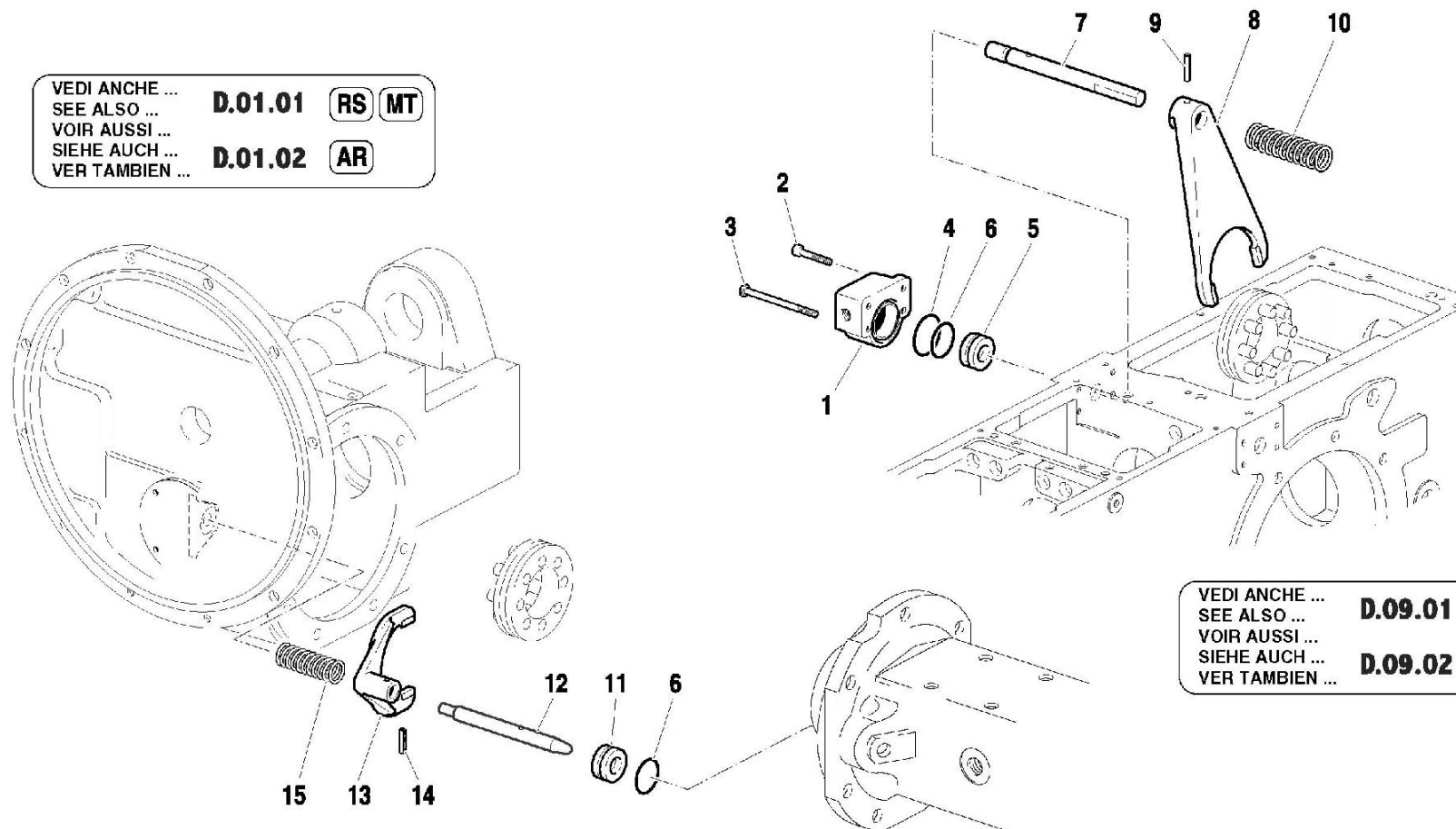
BLOCCAGGIO DIFFERENZIALE
DIFFERENTIAL LOCK
BLOCAGE DU DIFFERENTIEL
DIFFERENTIALSPERRE
BLOQUEO DEL DIFERENCIAL

Validità				
70	80	90		
RS-M	RS-R	MT	AR-M	AR-R

Tavola	Rev.	Data
D.11.01	0	05/2003

1/1

VEDI ANCHE ... **D.01.01** **RS** **MT**
SEE ALSO ...
VOIR AUSSI ...
SIEHE AUCH ... **D.01.02** **AR**
VER TAMBIEN ...



VEDI ANCHE ... **D.09.01** **RS** **MT**
SEE ALSO ...
VOIR AUSSI ...
SIEHE AUCH ... **D.09.02** **AR**
VER TAMBIEN ...

11111

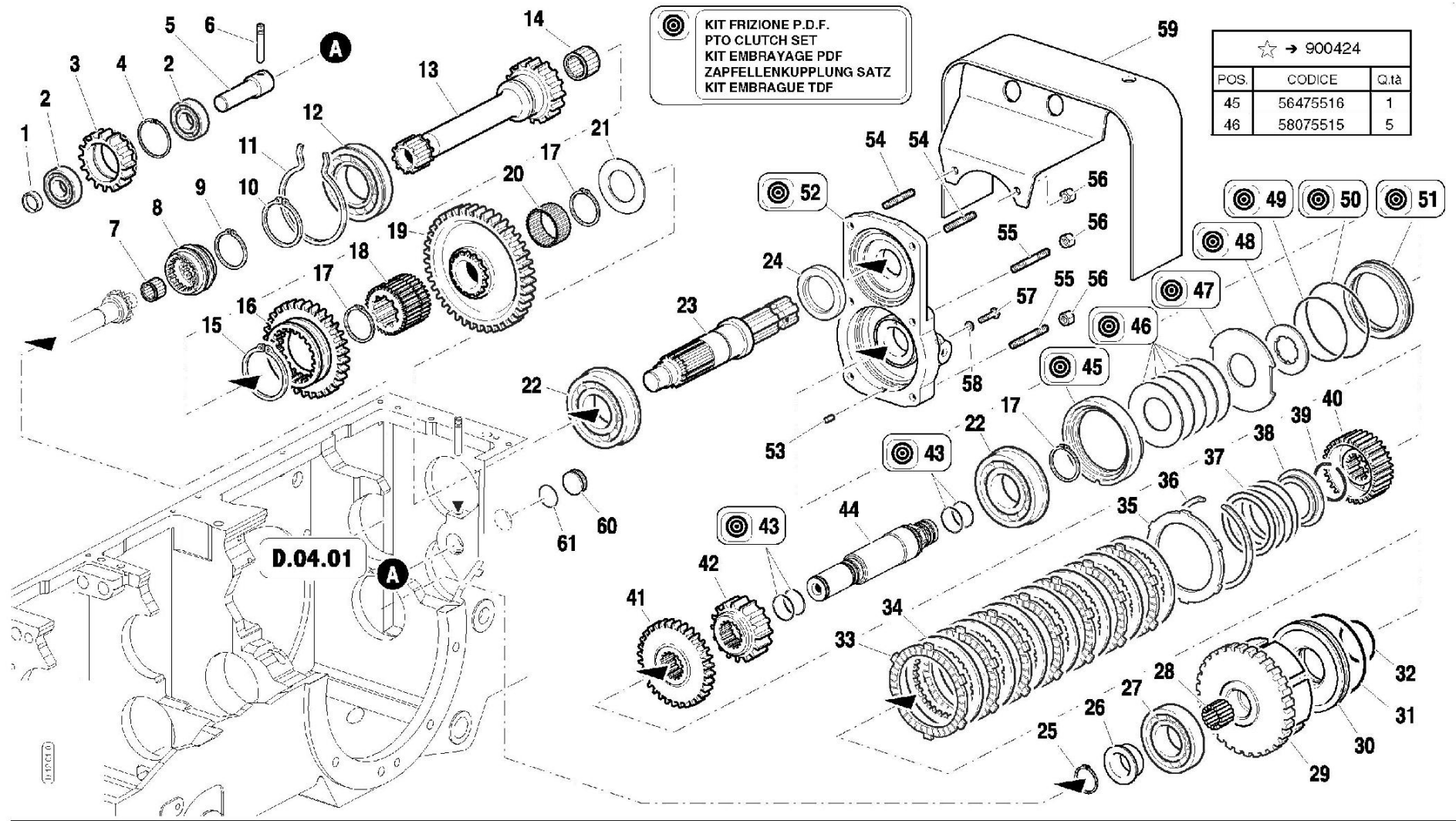
Pos.	Code	Q.ty	Description	Notes
1	52374641	0	SMALL BLOCK	
2	31152085	0	SCREW TCEI M8X25 UNI 5931	
3	31112161	0	SCREW TE M8X50 UNI 5737 8G	
4	F0803209000	0	O-RING 3156	
5	56370187	0	PISTON	
6	58170195	0	GASKET	
7	56370204	0	LOCKING DEVICE	
8	51270174	0	FORK	
9	F0851267050	0	PIN 6X30 DIN 7343 CL:C72	
10	58070198	0	SPRING	
11	56370583	0	PISTON	
12	56370582	0	LOCKING DEVICE	
13	51270203	0	FORK	
14	F0851260000	0	PIN 6X24 DIN 1481	
15	58070205	0	SPRING	



PRESA DI FORZA
POWER TAKE-OFF
PRISE DE FORCE
ZAPFWELLE
TOMA DE FUERZA

Validità				
70	80	90		
RS-M	RS-R	MT	AR-M	AR-R

Tavola	Rev.	Data
D.12.01	0	05/2003



☉ KIT FRIZIONE P.D.F.
 PTO CLUTCH SET
 KIT EMBRAYAGE PDF
 ZAPFELLENKUPPLUNG SATZ
 KIT EMBRAGUE TDF

☆ → 900424		
POS.	CODICE	Q.tà
45	56475516	1
46	58075515	5

☉ 49 ☉ 50 ☉ 51

☉ 48

☉ 47

☉ 46

☉ 45

☉ 43

☉ 43

☉ 42

D.04.01

DIPLOMA

Pos.	Code	Q.ty	Description	Notes
-	59978060	0	CLUTCH KIT	
1	56171572	0	SPACER	
2	F0812637000	0	BEARING 6204 (20x47x14)	
3	52473873	0	INTERMEDIATE WHEEL	
4	35111047	0	SEEGER RING I 47 DIN 472	
5	56174108	0	GEAR PIN	
6	56370178	0	SCREW	
7	F0812599086	0	BUSHING HK1816	
8	52470298	0	SLEEVE	
9	35121040	0	SEEGER RING E 40 DIN 471	
10	F0801353000	0	SEEGER RING E 50 UNI 7435	
11	58170130	0	CIRCLIP	
12	F0812957010	0	BEARING 6210-N (50/90/20)	
13	52473874	0	SHAFT	
14	F0812689050	0	ROLLER CAGE K 25X33/20	
15	F0801389000	0	SEEGER RING E 60 UNI 7435	
16	52475060	0	PTO GEAR	
17	F0801297050	0	SEEGER RING E 40x2,5 U/7436	
18	52475059	0	FIX SLEEVE	
19	52473875	0	DRIVEN GEAR	
20	F0812878040	0	ROLLER CAGE K 40X45/27	
21	56473880	0	SHIM	
22	F0812918010	0	BEARING 6308-NR (40x90x23)	
23	52473876	0	P.T.O. STUB	
24	F0802228005	0	SEAL 48x65/10	
25	F0801241010	0	SEEGER RING E 30 UNI 7436	
26	56470987	0	BUSHING	
27	37111404	0	BEARING	
28	F0812736010	0	ROLLER CAGE K 30X35/20 H	
29	59374107	0	CLUTCH HOUSING	
30	53273886	0	PISTON	
31	58172400	0	GASKET	
32	58172402	0	GASKET	
33	58172447	0	DISC	

SERIAL

POWER TAKE-OFF
Power: 70 CV, 80 CV, 90 CV

CODE REV

D1201_0_16542

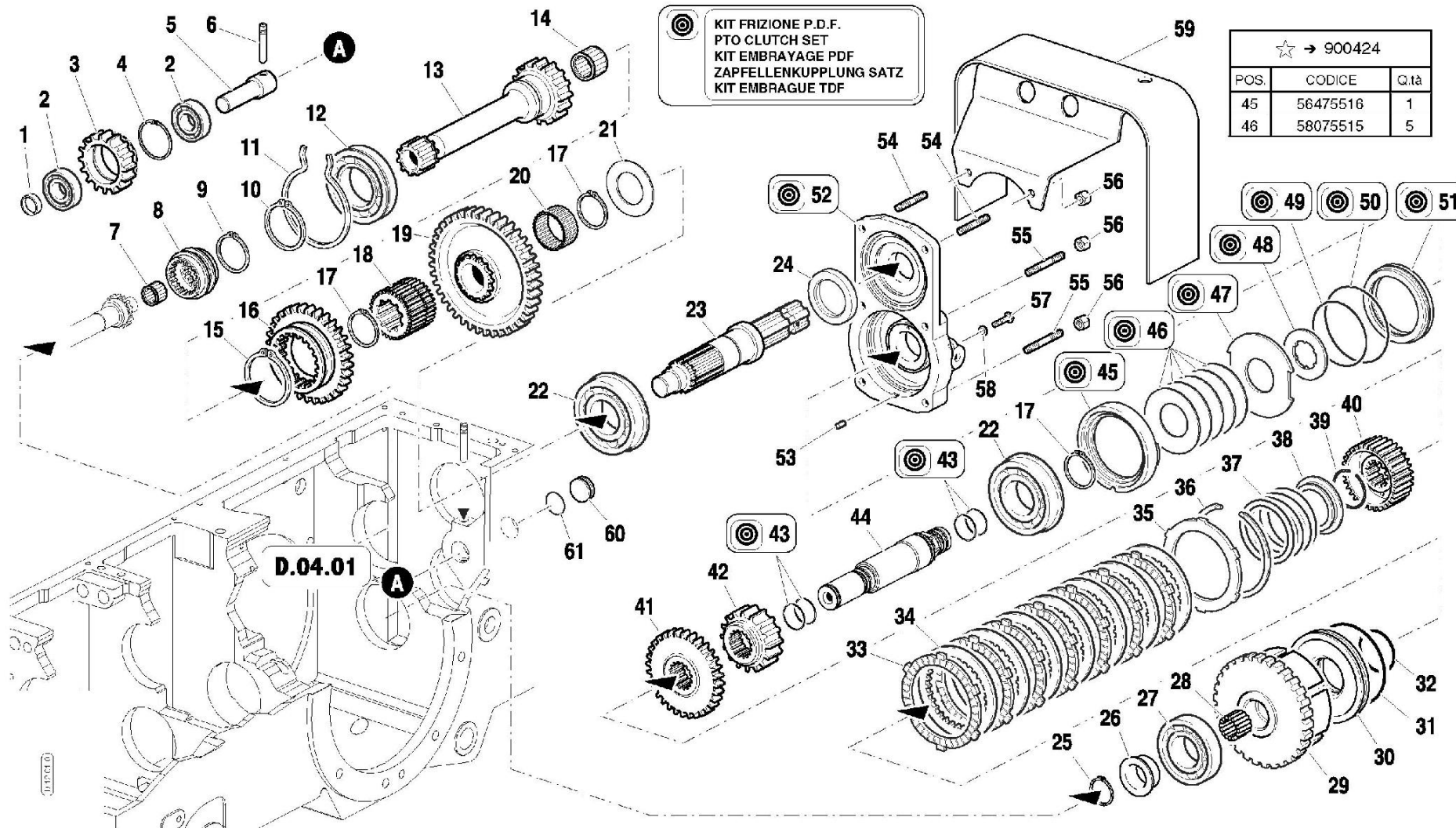


PRESA DI FORZA
POWER TAKE-OFF
PRISE DE FORCE
ZAPFWELLE
TOMA DE FUERZA

Validità				
70	80	90		
RS-M	RS-R	MT	AR-M	AR-R

Tavola	Rev.	Data
D.12.01	0	05/2003

1/2



Pos.	Code	Q.ty	Description	Notes
34	58172448	0	DISC	
35	52372292	0	RING	
36	58072389	0	CIRCLIP	
37	58074092	0	RESTORING SPRING	
38	56372282	0	RING	
39	58072399	0	SAFETY RING	
40	52473885	0	DISC HUB	
41	52473881	0	GEAR	
42	52473894	0	GEAR	
43	58072398	0	SEAL	
44	59275513	0	SHAFT	
45	56475516	0	SPACER	
46	58075515	0	SPRING	
47	56475517	0	BRAKE DISC	
47	56475518	0	CLUTCH DISC	
47	56475757	0	BRAKE DISC	
47	56473890	0	BRAKE DISC	
47	56474713	0	BRAKE DISC	
47	56474714	0	BRAKE DISC	
47	56475398	0	BRAKE DISC	
47	56475416	0	BRAKE DISC	
47	56475417	0	BRAKE DISC	
48	56475844	0	CLUTCH DISC	
49	38116317	0	RING	
50	38118720	0	O-RING	
51	53273891	0	PISTON	
52	59375435	0	COVER	
53	F0851226000	0	PIN 6X12 UNI 1707 CL:C20	
54	F0838154010	0	STUD BOLT M8X25 UNI 5911 8.8	
55	31312089	0	STUD BOLT M8x52x14x18	
56	F0814574000	0	NUT M8	
57	F0862448100	0	SCREW M8X10 UNI 5740	
58	F0843641000	0	COPPER WASHER 8x14/1,5	
59	59074993	0	P.T.O. PROTECTION	

SERIAL

POWER TAKE-OFF
Power: 70 CV, 80 CV, 90 CV

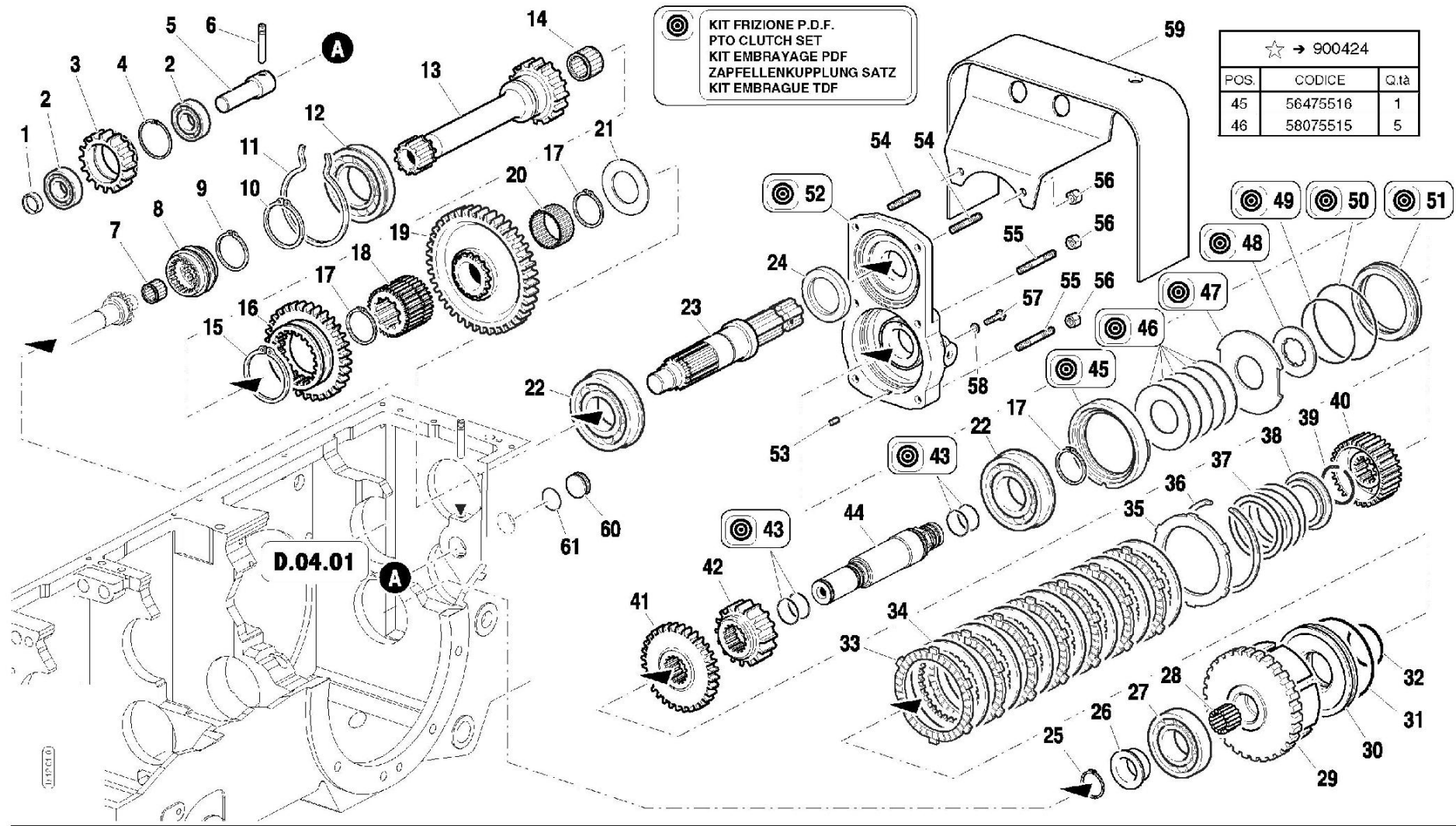
CODE REV
D1201_0_16542



PRESA DI FORZA
POWER TAKE-OFF
PRISE DE FORCE
ZAPFWELLE
TOMA DE FUERZA

Validità				
70	80	90		
RS-M	RS-R	MT	AR-M	AR-R

Tavola	Rev.	Data
D.12.01	0	05/2003



Pos.	Code	Q.ty	Description	Notes
60	56074313	0	PLUG	
61	F0803199010	0	O-RING 132 (23,81X2,62)	

FERRARI*Thor*

COMANDI PRESA DI FORZA
POWER TAKE-OFF CONTROLS
COMMANDES PRISE DE FORCE
ZAPFWELLENSTEUERUNGEN
MANDOS TOMA DE FUERZA

Validità

70	80	90
RS-M	RS-R	MT
AR-M	AR-R	

Tavola

D.13.01

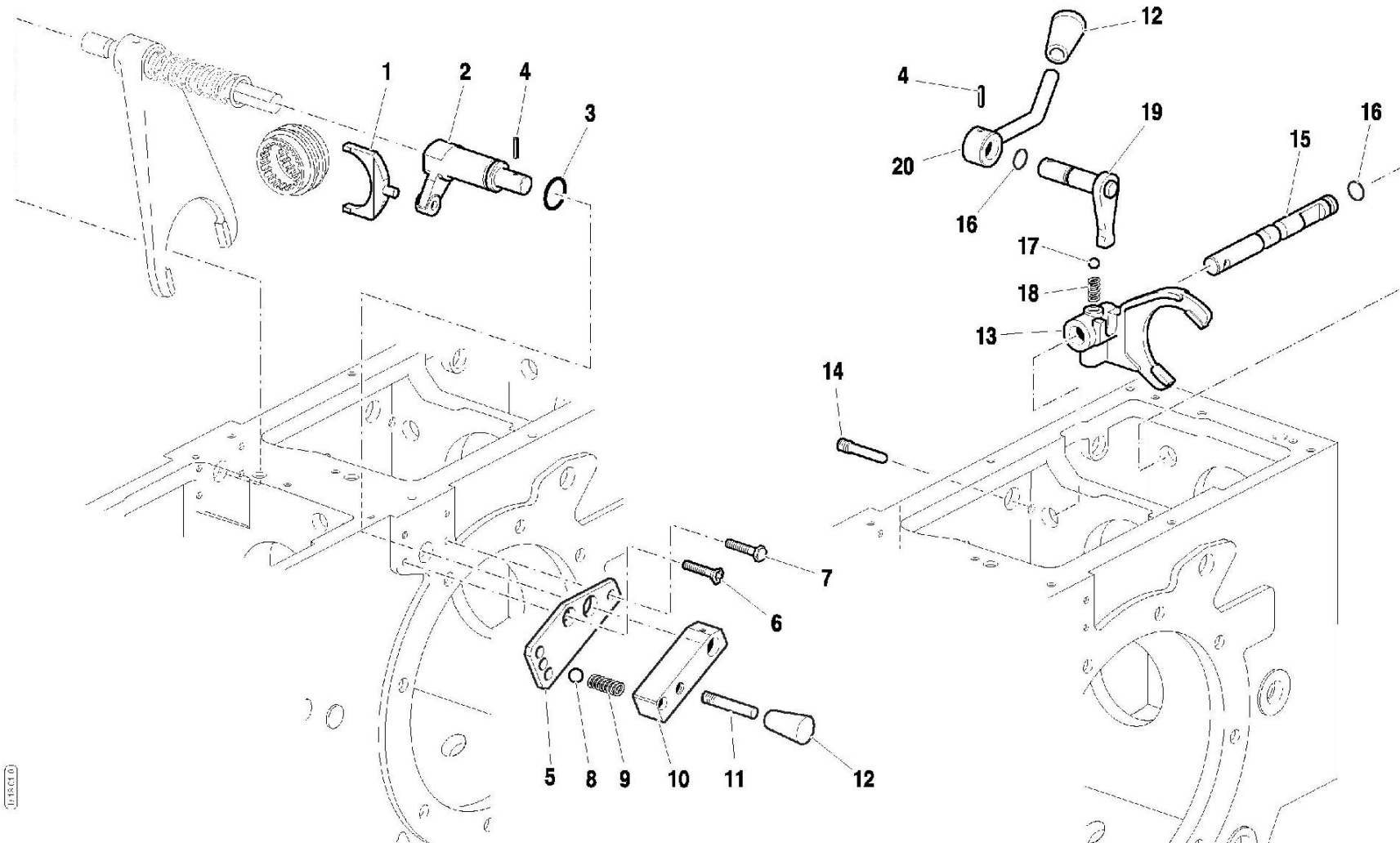
Rev.

0

Data

05/2003

1/1



D.13.01

Pos.	Code	Q.ty	Description	Notes
1	56470299	0	SELECTOR FORK	
2	52370152	0	LEVER	
3	38112200	0	O-RING 3087 (22,00X2,62)	
4	34211054	0	ROLL PIN	
5	56374430	0	PLATE	
6	31132566	0	SCREW TSVEI M8X20 UNI 5933	
7	31112150	0	SCREW TE M8X20 UNI 5739 8G	
8	F0847462000	0	BALL RB-11.112	
9	F0831047000	0	SPRING	
10	56174431	0	LEVER	
11	56170447	0	TIP	
12	F0837534060	0	GRIP	
13	51274080	0	FORK	
14	56370178	0	SCREW	
15	56374076	0	ROD	
16	38111078	0	O-RING 3043 (10,78X2,62)	
17	F0847434000	0	BALL	
18	58070741	0	SPRING	
19	59074077	0	LEVER	
20	59072572	0	LEVER	

SERIAL

POWER TAKE-OFF CONTROLS

Power: 70 CV, 80 CV, 90 CV

CODE REV

D1301_0_16613

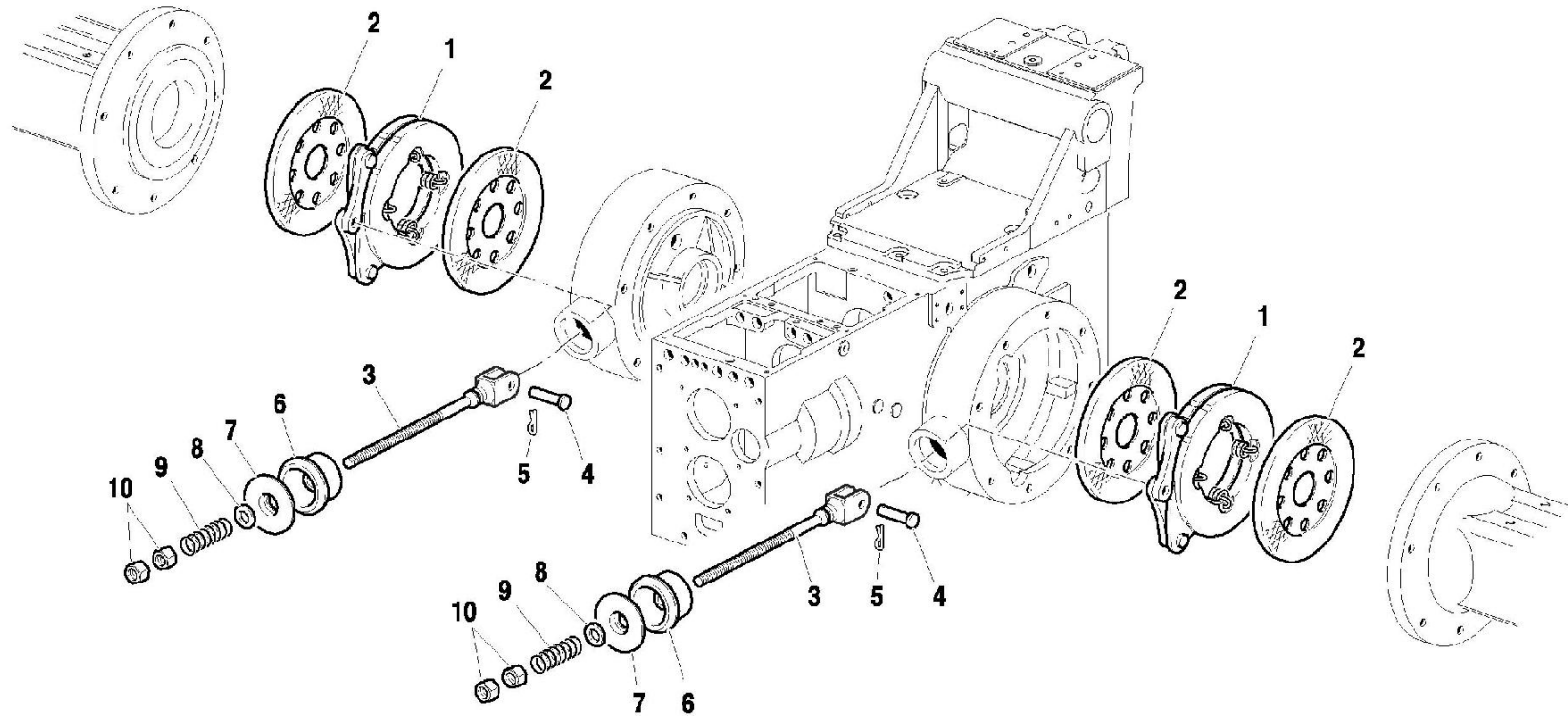
FERRARI

Thor

FRENI
BRAKES
FREINS
BREMSE
FRENOS

Validità		
70	80	90
	AR-M	AR-R

Tavola	Rev.	Data
D.14.02	0	05/2003



DECO

Pos.	Code	Q.ty	Description	Notes
1	58170045	0	BRAKE	
2	58170703	0	BRAKE DISC	
3	56370038	0	ROD	
4	56470231	0	PIN	
5	F0810510000	0	SPLIT PIN A2,0X20 UNI 1336	
6	55170047	0	BOOT	
7	56170043	0	COVER	
8	31411130	0	WASHER 13x24	
9	58070366	0	RETAINING SPRING	
10	F0814689020	0	NUT M12 UNI 5589 CL:8	

SERIAL

BRAKES

Power: 70 CV, 80 CV, 90 CV

CODE REV

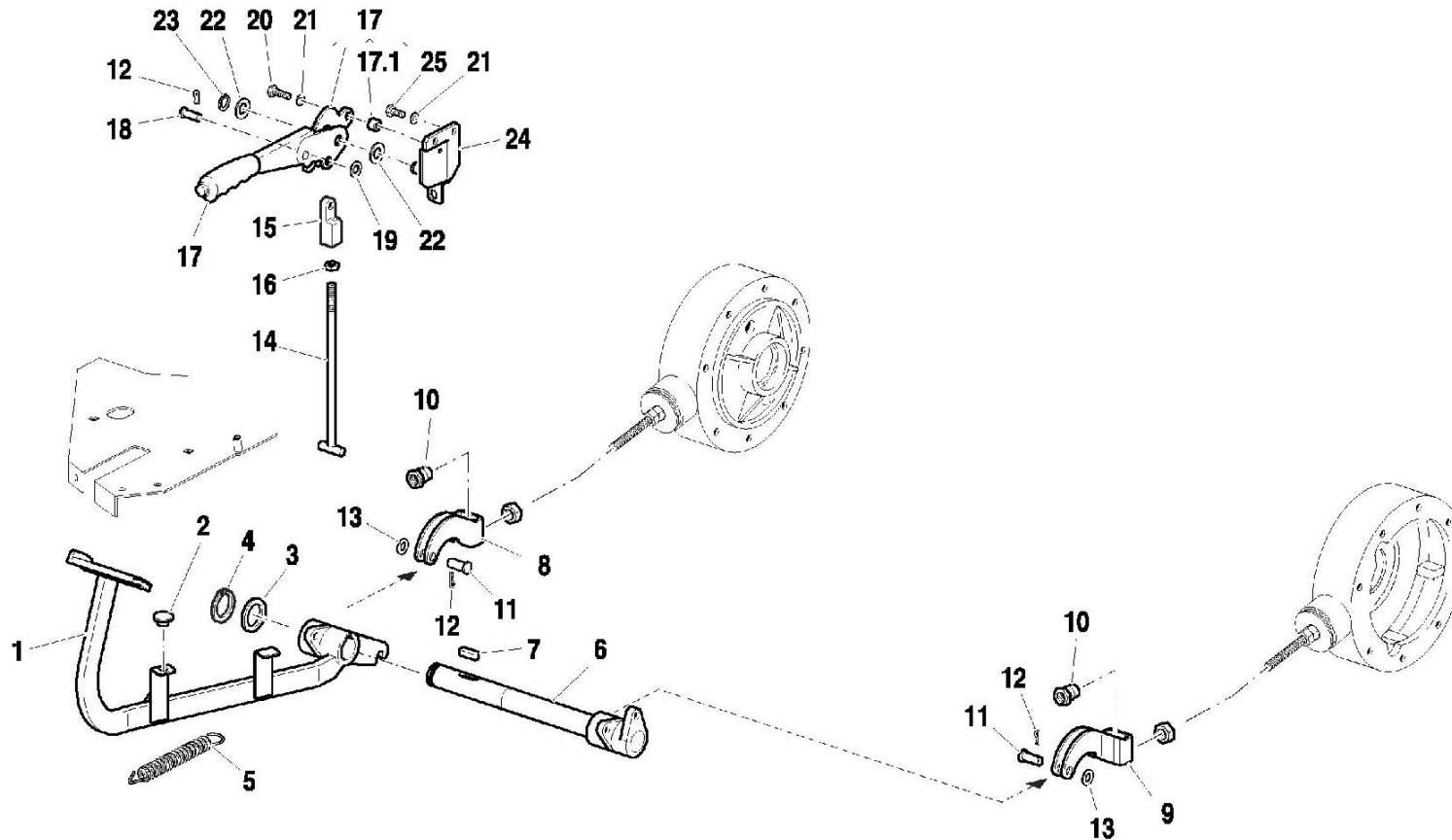
D1402_0_16646



COMANDI FRENI
BRAKES CONTROLS
COMMANDES DES FREINS
BREMSBETÄTIGUNG
MANDOS DE FRENOS

Validità		
70	80	90
AR-III		

Tavola	Rev.	Data
D.15.03	0	05/2003



Pos.	Code	Q.ty	Description	Notes
1	59073693	0	BRAKE PEDAL	
2	F0822537050	0	BUFFER	
3	56170367	0	SHIM	
4	F0801241010	0	SEEGER RING E 30 UNI 7436	
5	58070790	0	RESTORING SPRING	
6	59070333	0	SHAFT	
7	34321066	0	KEY A10X8X30 UNI 6604	
8	56170795	0	RIGHT YOKE	
9	56170796	0	LEFT BRACKET	
10	52373177	0	NUT	
11	56470797	0	PIN	
12	F0810510000	0	SPLIT PIN A2,0X20 UNI 1336	
13	31411130	0	WASHER 13x24	
14	52375215	0	HANDBRAKE TIE-ROD	
15	56371721	0	SMALL BLOCK	
16	F0814627000	0	NUT M10	
17	58171215	0	HANDBRAKE LEVER	
17.1	56171936	0	SPACER	
18	56470365	0	PIN	
19	31411105	0	WASHER 10,5x21	
20	31112151	0	SCREW TE M8X25 UNI 5739 8G	
21	F0843643060	0	WASHER 8	
22	31411150	0	WASHER 15x28	
23	F0801095000	0	SEEGER RING E 14 7435	
24	59074459	0	RETAINER	
25	31112147	0	SCREW TE M8X18 UNI 5739 8G	

SERIAL

BRAKES CONTROLS
Power: 70 CV, 80 CV, 90 CV

CODE REV

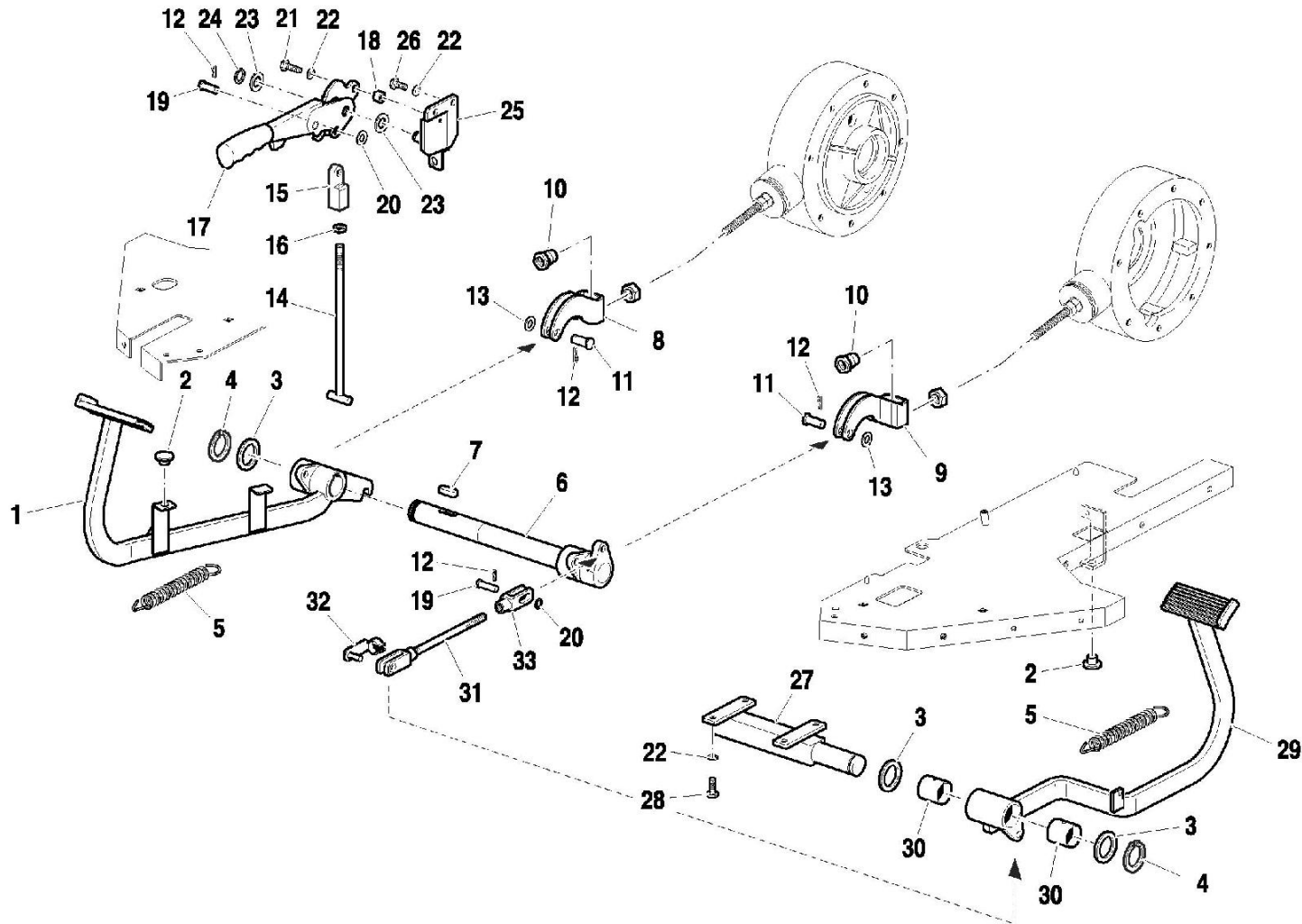
D1503_0_16728



COMANDI FRENI
 BRAKES CONTROLS
 COMMANDES DES FREINS
 BREMSBETÄTIGUNG
 MANDOS DE FRENOS

Validità		
70	80	90
		ARR

Tavola	Rev.	Data
D.15.04	0	05/2003



Pos.	Code	Q.ty	Description	Notes
1	59073693	0	BRAKE PEDAL	
2	F0822537050	0	BUFFER	
3	56170367	0	SHIM	
4	F0801241010	0	SEEGER RING E 30 UNI 7436	
5	58070790	0	RESTORING SPRING	
6	59070333	0	SHAFT	
7	34321066	0	KEY A10X8X30 UNI 6604	
8	56170795	0	RIGHT YOKE	
9	56170796	0	LEFT BRACKET	
10	52373177	0	NUT	
11	56470797	0	PIN	
12	F0810510000	0	SPLIT PIN A2,0X20 UNI 1336	
13	31411130	0	WASHER 13x24	
14	52375215	0	HANDBRAKE TIE-ROD	
15	56371721	0	SMALL BLOCK	
16	F0814627000	0	NUT M10	
17	58174726	0	HAND BRAKE	
18	56171936	0	SPACER	
19	56470365	0	PIN	
20	31411105	0	WASHER 10,5x21	
21	31112151	0	SCREW TE M8X25 UNI 5739 8G	
22	F0843643060	0	WASHER 8	
23	31411150	0	WASHER 15x28	
24	F0801095000	0	SEEGER RING E 14 7435	
25	59074459	0	RETAINER	
26	31112147	0	SCREW TE M8X18 UNI 5739 8G	
27	59074086	0	SHAFT	
28	31112146	0	SCREW TE M8X22 UNI 5739 8G	
29	59070922	0	BRAKE PEDAL	
30	58170921	0	BUSHING	
31	59073242	0	ROD	
32	F0860091020	0	PIN	
33	50970418	0	FORK	

SERIAL

BRAKES CONTROLS
Power: 70 CV, 80 CV, 90 CV

CODE REV

D1504_0_16755

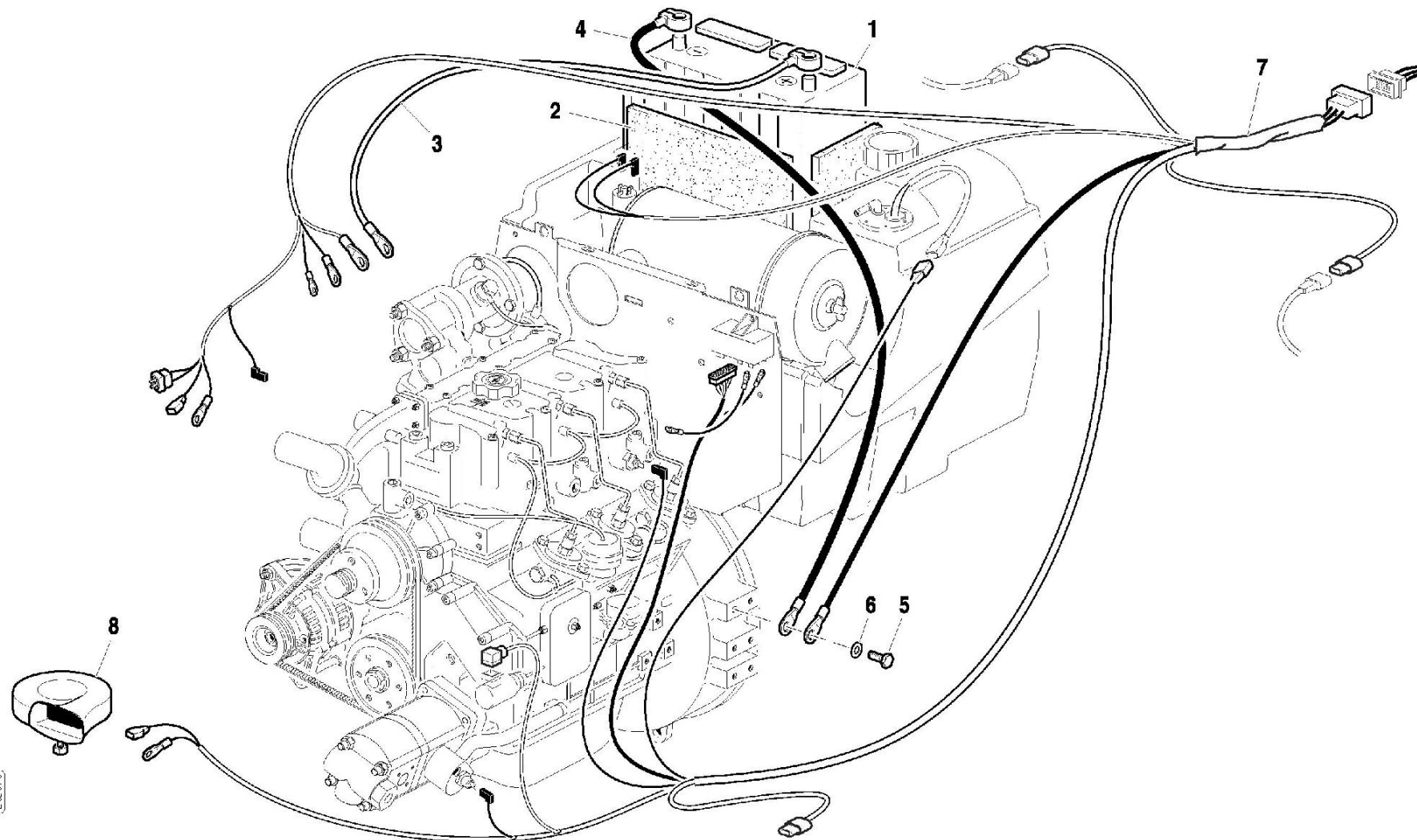
Pos.	Code	Q.ty	Description	Notes
1	58074904	0	CABLE	
2	F0825404050	0	HEADLIGHT	
3	F0861867050	0	SCREW M4,2X19 DIN 7981	
4	58071307	0	CABLE	
5	58071308	0	CABLE	
6	F0825420500	0	LAMP	
6.1	F0825420560	0	GLASS	



IMPIANTO ELETTRICO MOTORE
ENGINE ELECTRIC SYSTEM
ÉQUIPEMENT ÉLECTRIQUE MOTEUR
MOTOR ELEKTRISCHE ANLAGE
INSTALACION ELECTRICA MOTOR

Validità				
70				
RS-M	RS-R	MT	AR-M	AR-R

Tavola	Rev.	Data
E.02.01	0	05/2003



E.02.01

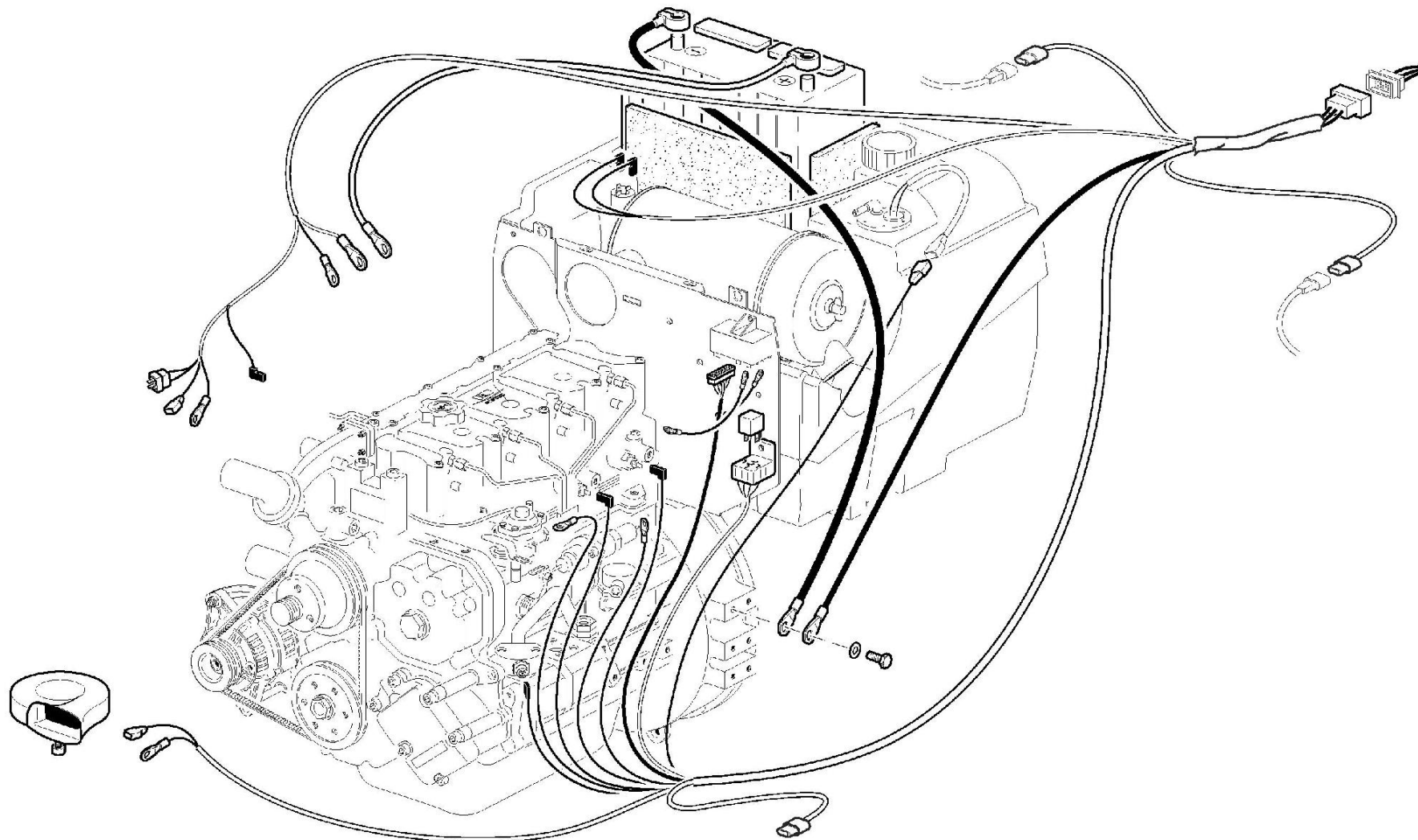
Pos.	Code	Q.ty	Description	Notes
1	F0825480100	0	BATTERY	
2	F0190018909	0	LINING	
3	58071313	0	CABLE	
4	58072081	0	CABLE	
5	31112210	0	SCREW TE M10X20 UNI 5739	
6	F0843755000	0	WASHER 10	
7	58075164	0	CABLE	
8	F0825417000	0	HORN	



IMPIANTO ELETTRICO MOTORE
ENGINE ELECTRIC SYSTEM
ÉQUIPEMENT ÉLECTRIQUE MOTEUR
MOTOR ELEKTRISCHE ANLAGE
INSTALACION ELECTRICA MOTOR

Validità				
80		90		
RS-M	RS-R	MT	AR-M	AR-R

Tavola	Rev.	Data
E.02.02	0	05/2003



Pos.	Code	Q.ty	Description	Notes
1	F0825480100	0	BATTERY	
2	F0190018909	0	LINING	
3	58071313	0	CABLE	
4	58072081	0	CABLE	
5	31112210	0	SCREW TE M10X20 UNI 5739	
6	F0843755000	0	WASHER 10	
7	58074903	0	CABLE	
7.1	58170700	0	RELAY	
8	F0825417000	0	HORN	

SERIAL

ENGINE ELECTRIC SYSTEM

Power: 80 CV, 90 CV

CODE REV

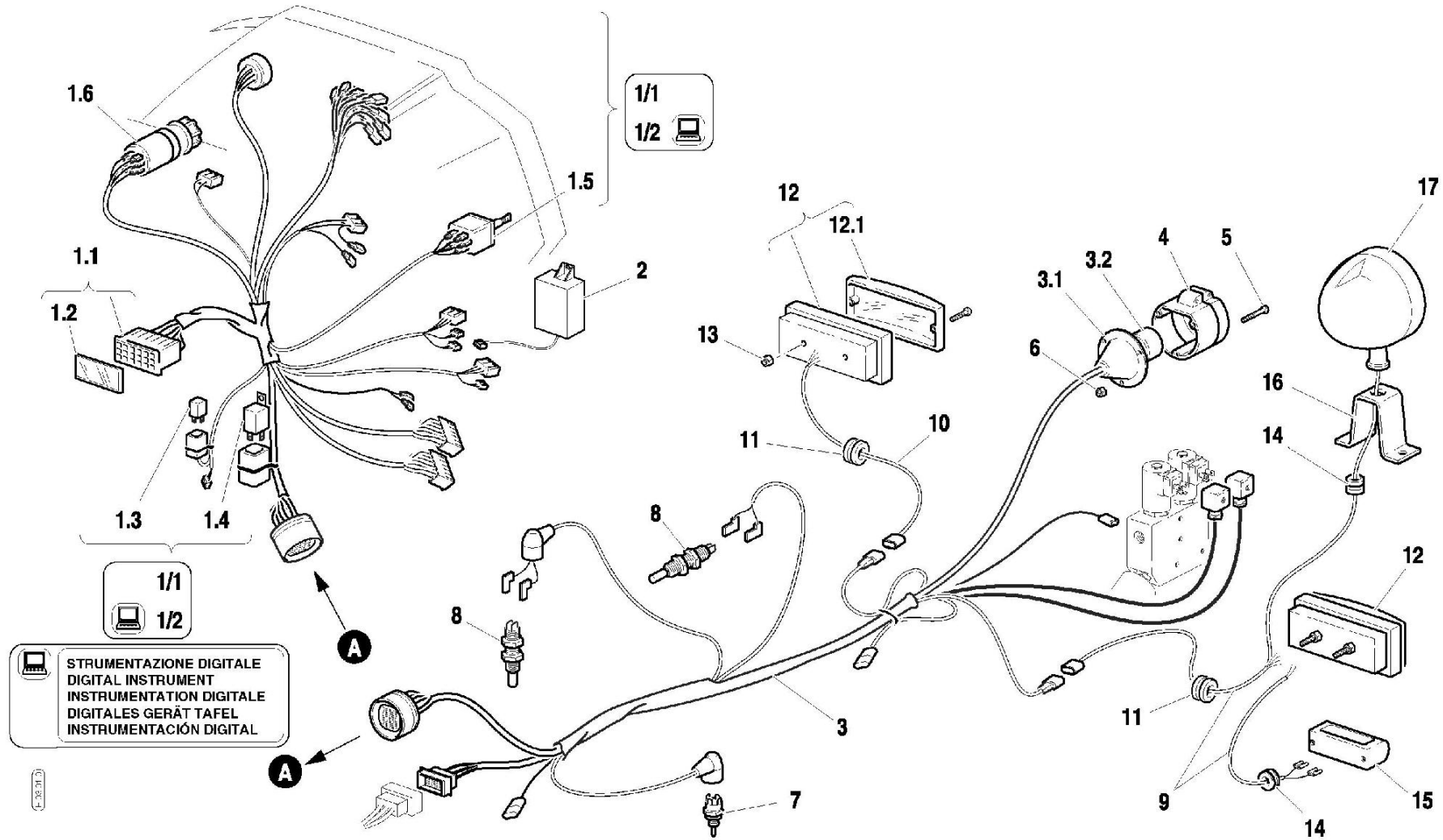
E0202_0_16806



IMPIANTO ELETTRICO POSTERIORE
 REAR ELECTRICAL SYSTEM
 ÉQUIPEMENT ÉLECTRIQUE POSTÉRIEUR
 HINTERELEKTRISCHEANLAGE
 INSTALACION ELECTRICA POSTERIOR

Validità		
70	80	90
RS-M	AR-M	

Tavola	Rev.	Data
E.03.01	0	05/2003



Pos.	Code	Q.ty	Description	Notes
1/1	58074901	0	CABLE	
1.1	58170453	0	FUSE BOX	
1/2	58075384	0	CABLE	
1.2	58172267	0	COVER	
1.3	59900242	0	RELAY	
1.4	F0825139000	0	FLASHER	
1.5	F0825436000	0	SWITCH	
1.6	F0825436003	0	SWITCH	
2	58175700	0	SWITCHING DEVICE	
3	58074905	0	CABLE	
3.1	58170572	0	CAP	
3.2	58170571	0	ATTACHMENT PLUG	
4	F0825438000	0	SOCKET	
5	F0861941000	0	SCREW M5X35 UNI 6107	
6	F0814525000	0	NUT M5	
7	F0825117000	0	SWITCH	
8	F0825488000	0	SWITCH	
9	58072568	0	CABLE	
10	58071305	0	CABLE	
11	58170947	0	CABLE GLAND	
12	F0825420600	0	LAMP	
12.1	F0825420660	0	GLASS	
13	F0814529080	0	SELFLOCK NUT M5	
14	F0825414000	0	CABLE GLAND 7-15-18,5-2,5	
15	30000506	0	LAMP	
16	F0190035152	0	SUPPORT	
17	F0825493000	0	HEADLIGHT	

SERIAL

REAR ELECTRICAL SYSTEM

Power: 70 CV, 80 CV, 90 CV

CODE REV

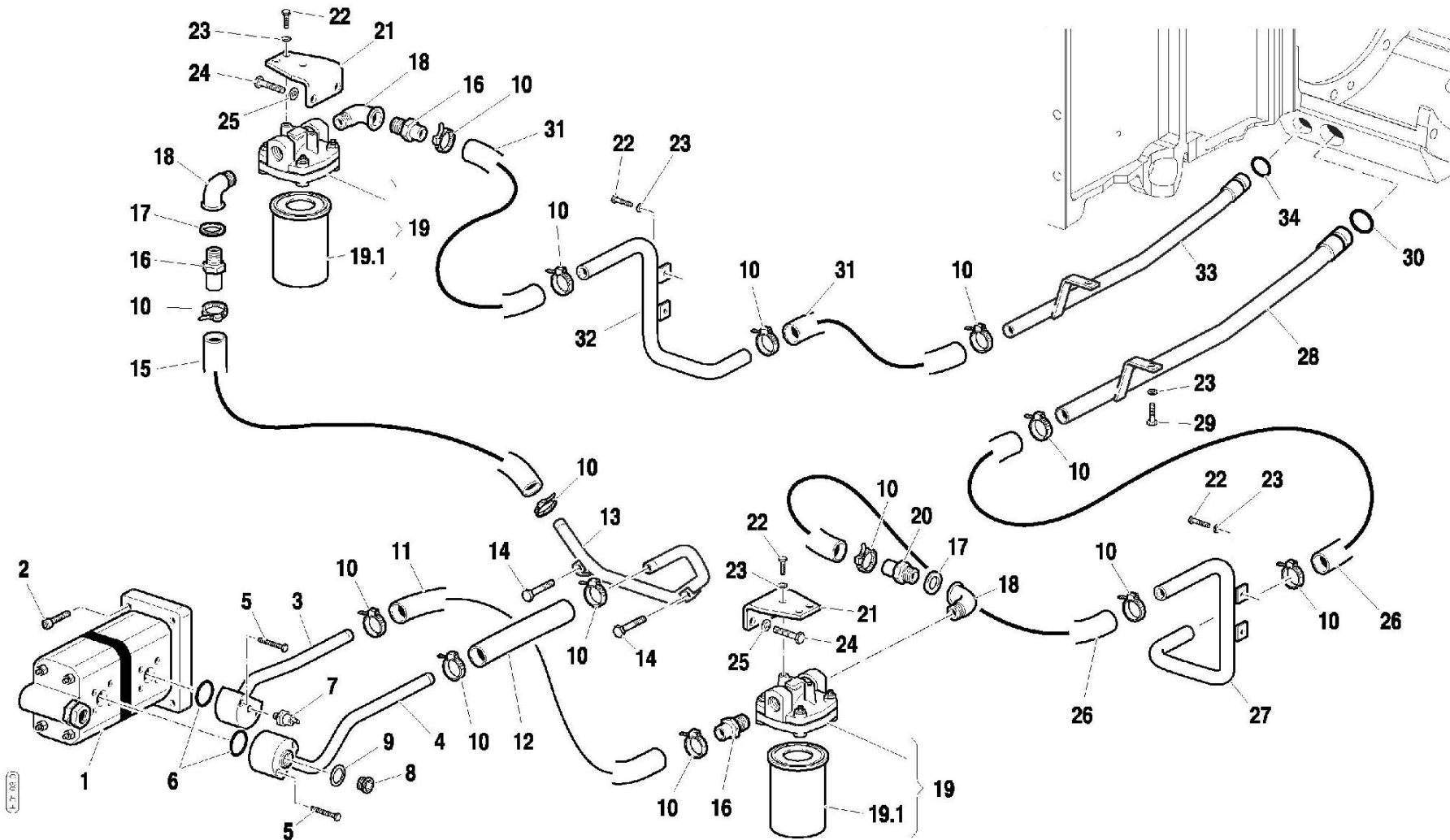
E0301_0_16816



IMPIANTO IDRAULICO DOPPIA ASPIRAZIONE OLIO
 HYDR. SYSTEM DOUBLE OIL SUCTION
 INSTALLATION HYDR. SUCCION DOUBLE DE L'HUILE
 HYDR. ANLAGE DOPPELTE ÖLSAUGUNG
 INSTALACION HIDRAULICA DOBLA ASPIRACION DEL ACEITE

Validità	
70	
AR-M AR-R	

Tavola	Rev.	Data
F.01.03	0	05/2003



Pos.	Code	Q.ty	Description	Notes
1	58175006	0	LIFT PUMP	
2	31152083	0	SCREW TCEI M8X30 UNI 5931	
3	59074989	0	SUCTION PIPE	
4	59074990	0	SUCTION PIPE	
5	31112155	0	SCREW TE M8X45 UNI 5739 8G	
6	38112200	0	O-RING 3087 (22,00X2,62)	
7	58175122	0	DIGITAL INSTRUMENT	
8	30000777	0	PLUG 3/8 DIN 908	
9	F0843907000	0	COPPER WASHER 13,66x19/1,5	
10	F0817523010	0	CLAMP	
11	58173505	0	FLEXIBLE HOSE	
12	58170352	0	FLEXIBLE HOSE	
13	59075223	0	SUCTION PIPE	
14	31112211	0	SCREW TE M10X30 UNI 5739	
15	58173543	0	FLEXIBLE HOSE	
16	56170350	0	PIPE FITTING	
17	F0824185000	0	COPPER WASHER 26X34X1,5	
18	F0840563000	0	PIPE FITTING	
19	58175014	0	FILTER	
19.1	F0825718020	0	FILTER INSERT	
20	56170351	0	PIPE FITTING	
21	56174725	0	OIL FILTER BRACKET	
22	31111151	0	SCREW TE M8X16 UNI 5739 8G	
23	F0843643060	0	WASHER 8	
24	31112210	0	SCREW TE M10X20 UNI 5739	
25	F0843755000	0	WASHER 10	
26	58172806	0	FLEXIBLE HOSE	
27	59074758	0	SUCTION PIPE	
28	59074757	0	PIPE	
29	31112150	0	SCREW TE M8X20 UNI 5739 8G	
30	F0803208020	0	O-RING 3131 (32,99x2,62)	
31	58173506	0	FLEXIBLE HOSE	
32	59074756	0	SUCTION PIPE	
33	59074755	0	PIPE	

SERIAL

HYDR. SYSTEM DOUBLE OIL SUCTION

Power: 70 CV

CODE REV

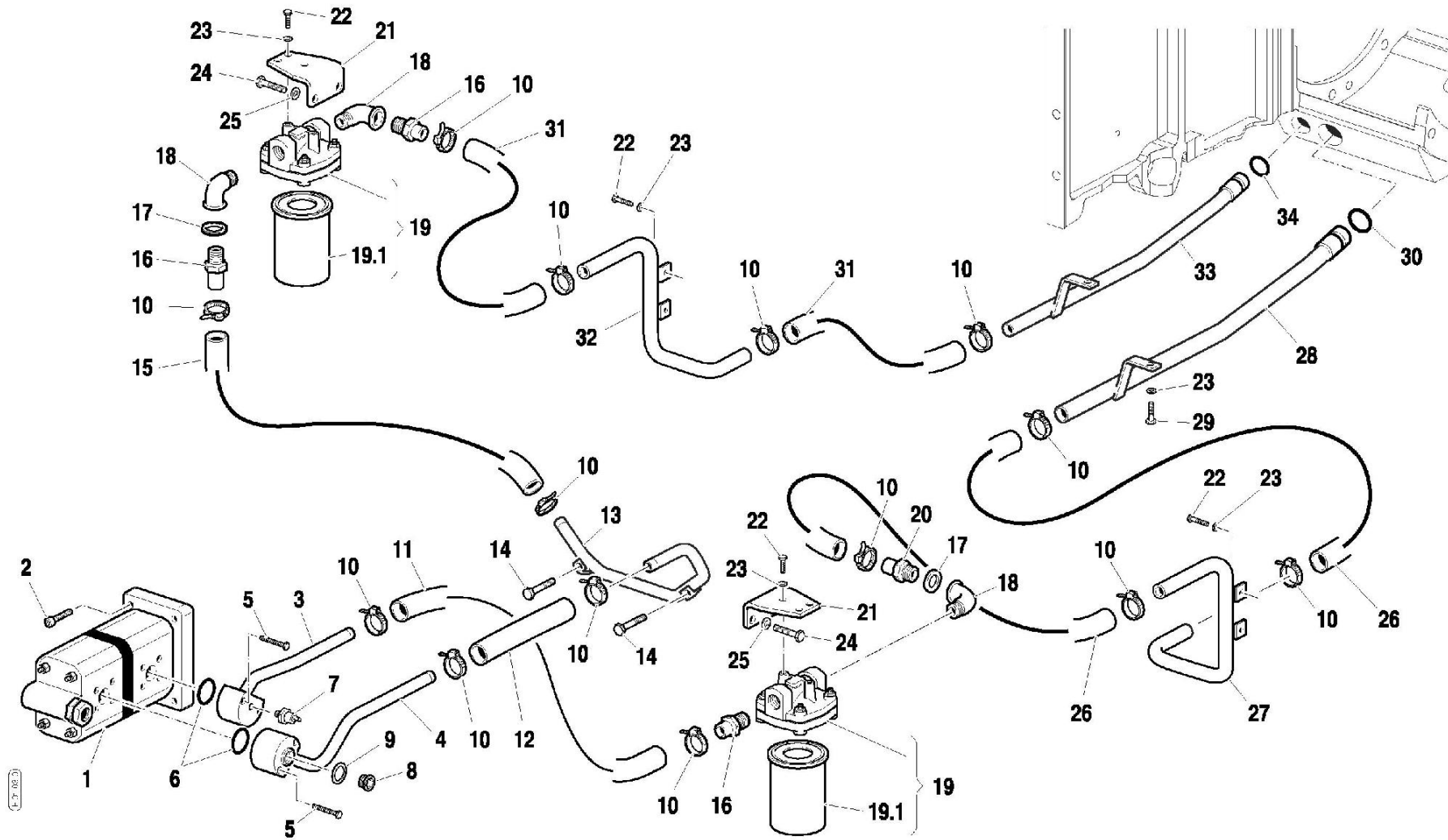
F0103_0_16954



IMPIANTO IDRAULICO DOPPIA ASPIRAZIONE OLIO
HYDR. SYSTEM DOUBLE OIL SUCTION
INSTALLATION HYDR. SUCCION DOUBLE DE L'HUILE
HYDR. ANLAGE DOPPELTE ÖLSAUGUNG
INSTALACION HIDRAULICA DOBLA ASPIRACION DEL ACEITE

Validità	
70	
	AR-M AR-R

Tavola	Rev.	Data
F.01.03	0	05/2003



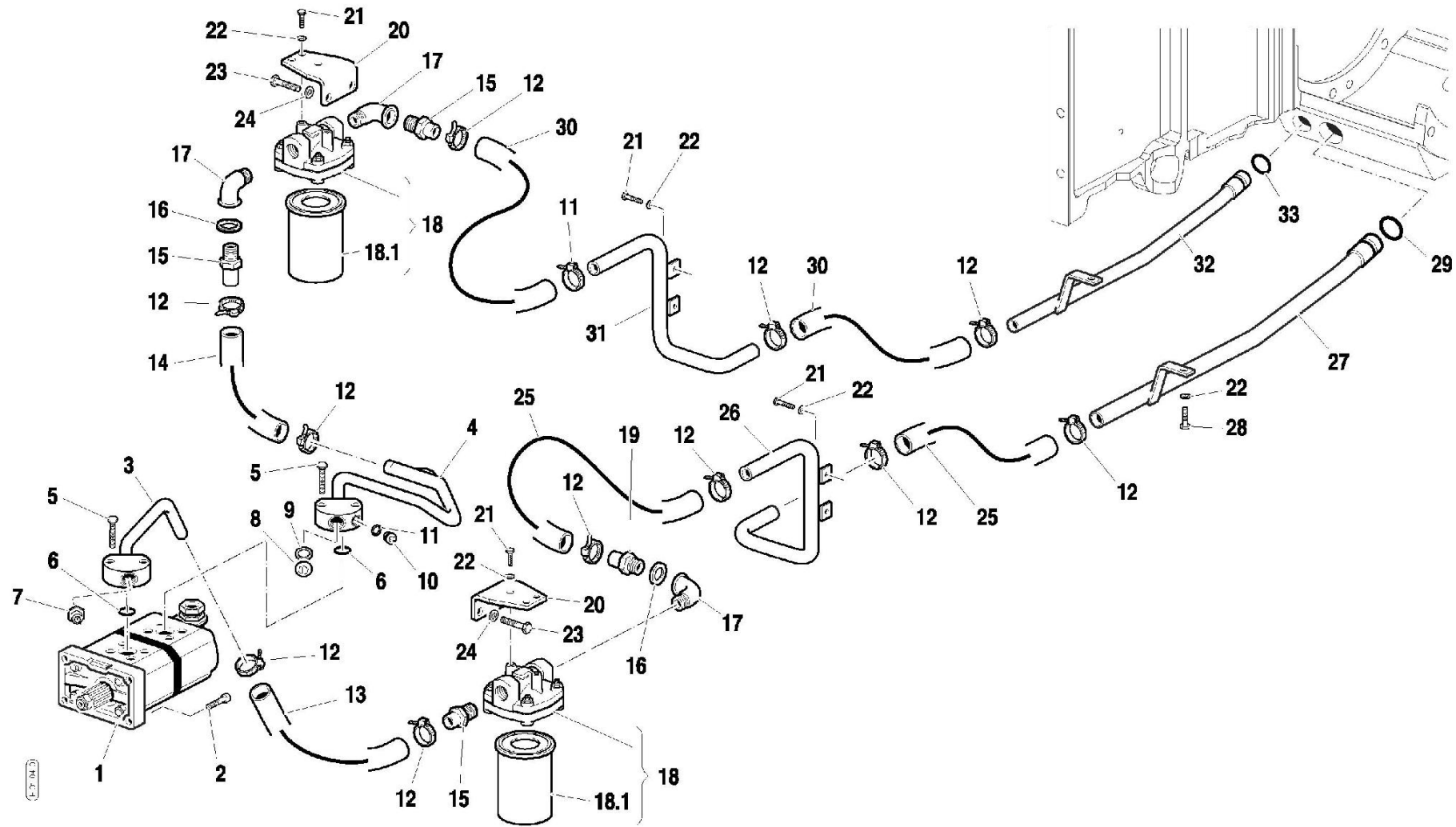
Pos.	Code	Q.ty	Description	Notes
34	38112507	0	O-RING 3100 (25,07X2,62)	



IMPIANTO IDRAULICO DOPPIA ASPIRAZIONE OLIO
 HYDR. SYSTEM DOUBLE OIL SUCTION
 INSTALLATION HYDR. SUCCION DOUBLE DE L'HUILE
 HYDR. ANLAGE DOPPELTE ÖLSAUGUNG
 INSTALACION HIDRAULICA DOBLA ASPIRACION DEL ACEITE

Validità	
80	90
AR-M	AR-R

Tavola	Rev.	Data
F.01.04	0	05/2003



Pos.	Code	Q.ty	Description	Notes
1	58174774	0	LIFT PUMP	
2	31152083	0	SCREW TCEI M8X30 UNI 5931	
3	59074750	0	SUCTION PIPE	
4	59074745	0	SUCTION PIPE	
5	31112155	0	SCREW TE M8X45 UNI 5739 8G	
6	38112200	0	O-RING 3087 (22,00X2,62)	
7	58175122	0	DIGITAL INSTRUMENT	
8	30000777	0	PLUG 3/8 DIN 908	
9	F0824110000	0	COPPER WASHER 3/8 GAS	
10	F0852538050	0	PLUG	
11	F0843907000	0	COPPER WASHER 13,66x19/1,5	
12	F0817523010	0	CLAMP	
13	58170352	0	FLEXIBLE HOSE	
14	58173505	0	FLEXIBLE HOSE	
15	56170350	0	PIPE FITTING	
16	F0824185000	0	COPPER WASHER 26X34X1,5	
17	F0840563000	0	PIPE FITTING	
18	58175014	0	FILTER	
18.1	F0825718020	0	FILTER INSERT	
19	56170351	0	PIPE FITTING	
20	56174725	0	OIL FILTER BRACKET	
21	31111151	0	SCREW TE M8X16 UNI 5739 8G	
22	F0843643060	0	WASHER 8	
23	31112210	0	SCREW TE M10X20 UNI 5739	
24	F0843755000	0	WASHER 10	
25	58172806	0	FLEXIBLE HOSE	
26	59074758	0	SUCTION PIPE	
27	59074757	0	PIPE	
28	31112150	0	SCREW TE M8X20 UNI 5739 8G	
29	F0803208020	0	O-RING 3131 (32,99x2,62)	
30	58173506	0	FLEXIBLE HOSE	
31	59074756	0	SUCTION PIPE	
32	59074755	0	PIPE	
33	38112507	0	O-RING 3100 (25,07X2,62)	

SERIAL

HYDR. SYSTEM DOUBLE OIL SUCTION

Power: 80 CV, 90 CV

CODE REV

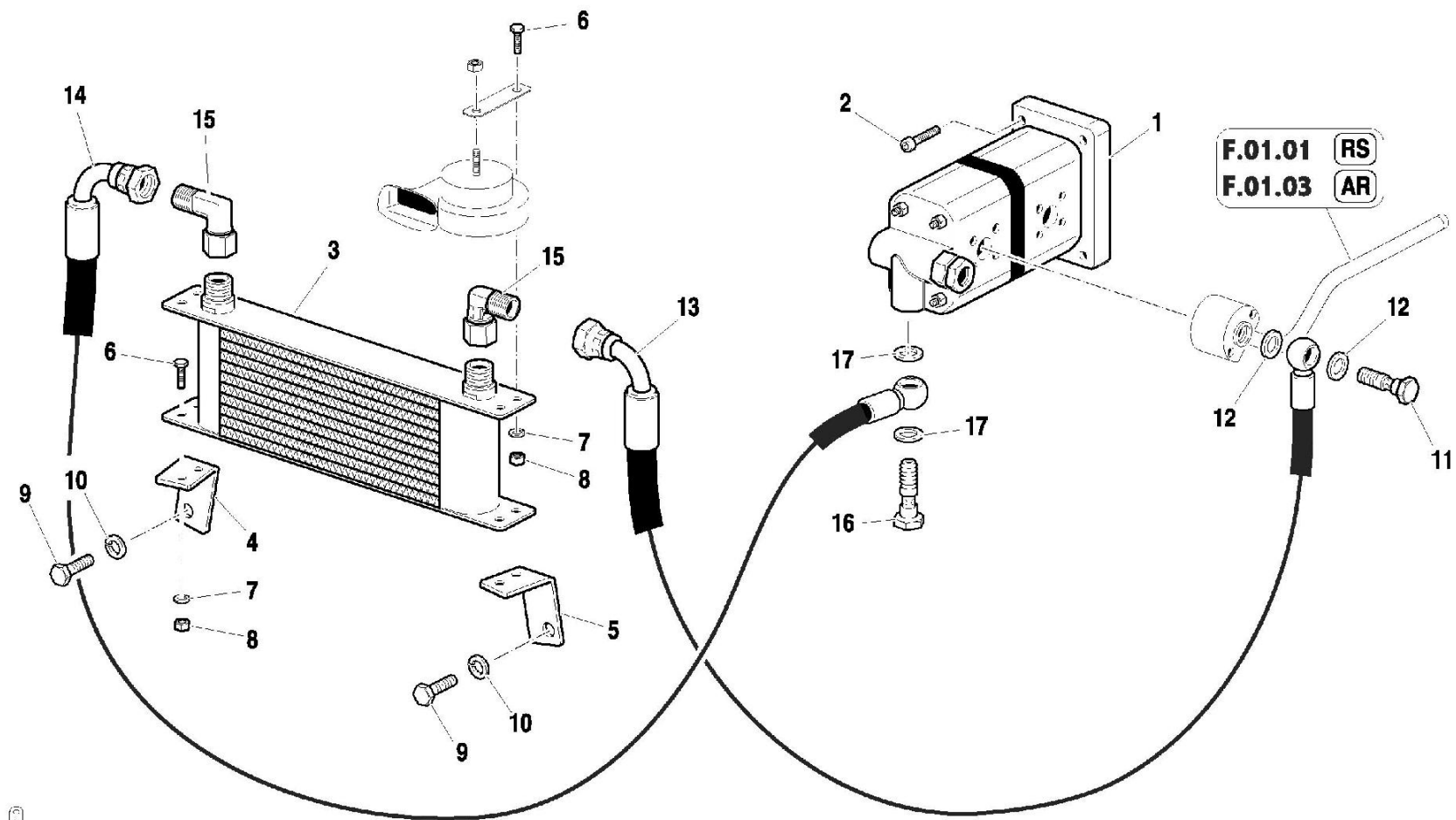
F0104_0_16990



IMPIANTO IDRAULICO : SCAMBIATORE DI CALORE
 HYDR. SYSTEM : HEAT EXCHANGER
 INSTALLATION HYDR. : ÉCHANGEUR DE CHALEUR
 HYDR. ANLAGE : WÄRMETAUSCHER
 INSTALACION HIDRAULICA : INTERCAMBIADOR DE CALOR

Validità				
70				
RS-M	RS-R	MT	AR-M	AR-R

Tavola	Rev.	Data
F.02.01	0	05/2003



Pos.	Code	Q.ty	Description	Notes
1	58175007	0	LIFT PUMP	
2	31152083	0	SCREW TCEI M8X30 UNI 5931	
3	58175222	0	OIL EXCHANGER	
4	56174987	0	RIGHT YOKE	
5	56174988	0	LEFT BRACKET	
6	31112090	0	SCREW TE M6X16 UNI 5739 8G	
7	F0843570000	0	WASHER 6	
8	31212060	0	NUT M6	
9	31112210	0	SCREW TE M10X20 UNI 5739	
10	F0843755000	0	WASHER 10	
11	F0843110010	0	THREADED TERMINAL END M18x1,5	
12	F0824113000	0	COPPER WASHER 18X24/1,5	
13	58075539	0	FLEXIBLE HOSE	
14	58075538	0	FLEXIBLE HOSE	
15	F0840564050	0	ADAPTER PART	
16	F0843109020	0	PIPE FITTING	
17	F0824110000	0	COPPER WASHER 3/8 GAS	

SERIAL

HYDR. SYSTEM : HEAT EXCHANGER

Power: 70 CV

CODE REV

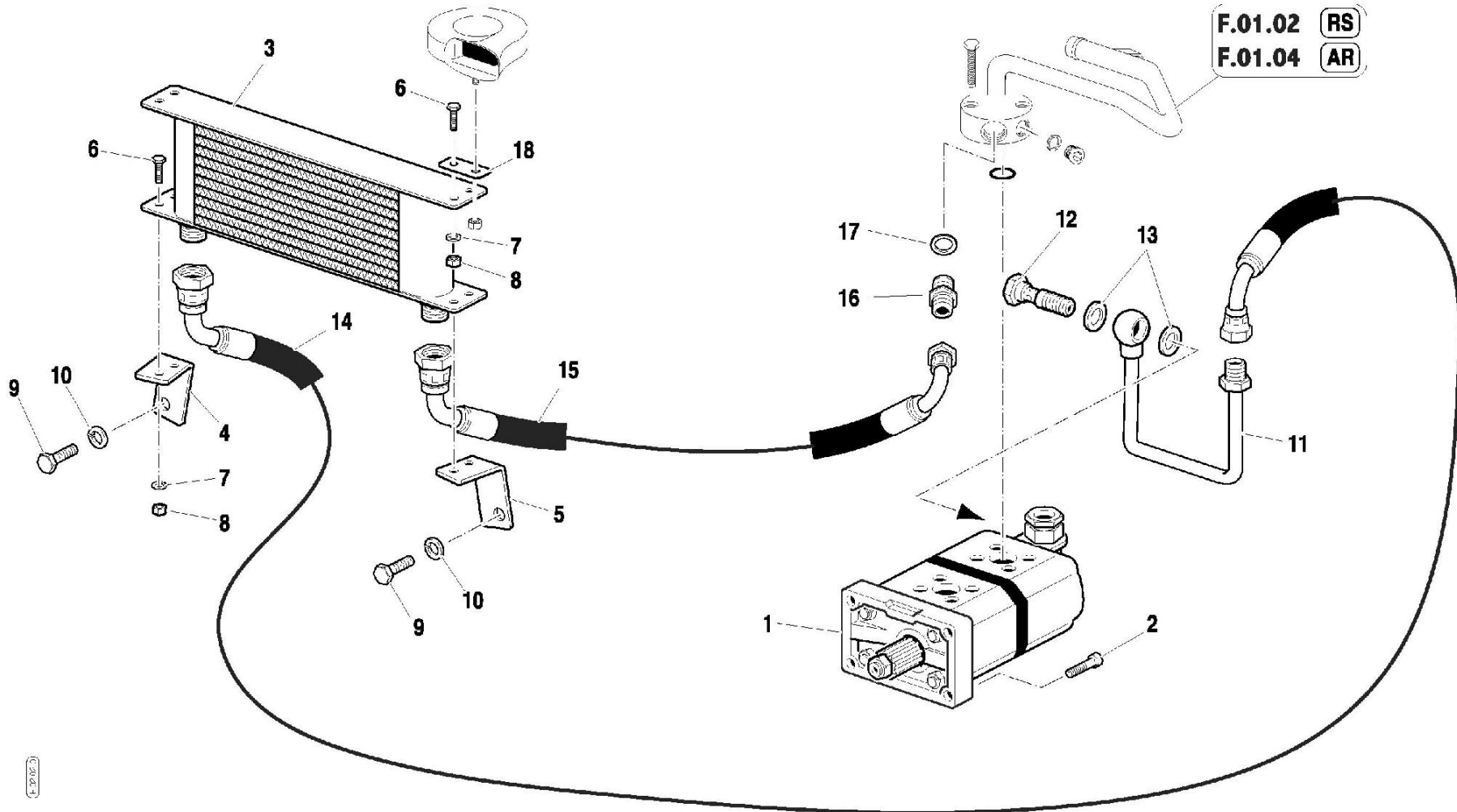
F0201_0_17025



IMPIANTO IDRAULICO : SCAMBIATORE DI CALORE
HYDR. SYSTEM : HEAT EXCHANGER
INSTALLATION HYDR. : ÉCHANGEUR DE CHALEUR
HYDR. ANLAGE : WÄRMETAUSCHER
INSTALACION HIDRAULICA : INTERCAMBIADOR DE CALOR

Validità				
80		90		
RS-M	RS-R	MT	AR-M	AR-R

Tavola	Rev.	Data
F.02.02	0	05/2003



1 20 02 02

Pos.	Code	Q.ty	Description	Notes
1	58174775	0	LIFT PUMP	
2	31152083	0	SCREW TCEI M8X30 UNI 5931	
3	58175222	0	OIL EXCHANGER	
4	56174987	0	RIGHT YOKE	
5	56174988	0	LEFT BRACKET	
6	31112090	0	SCREW TE M6X16 UNI 5739 8G	
7	F0843570000	0	WASHER 6	
8	31212060	0	NUT M6	
9	31112210	0	SCREW TE M10X20 UNI 5739	
10	F0843755000	0	WASHER 10	
11	59075063	0	PRESSURE PIPE	
12	56172547	0	THREADED TERMINAL END	
13	F0824113000	0	COPPER WASHER 18X24/1,5	
14	58075228	0	PRESSURE PIPE	
15	58075229	0	FLEXIBLE HOSE	
16	F0835024010	0	NIPPLE	
17	F0824110000	0	COPPER WASHER 3/8 GAS	
18	56175294	0	BRACKET	

SERIAL

HYDR. SYSTEM : HEAT EXCHANGER

Power: 80 CV, 90 CV

CODE REV

F0202_0_17043

FERRARI*Thor*

IMPIANTO IDRAULICO STERZO
 STEERING HYDR. SYSTEM
 INSTALLATION HYDR. DIRECTION
 LENKUNGSHYDR.ANLAGE
 INSTALACION HYDR. DIRECCION

Validità

70	80	90
		AR-M

Tavola

F.03.03

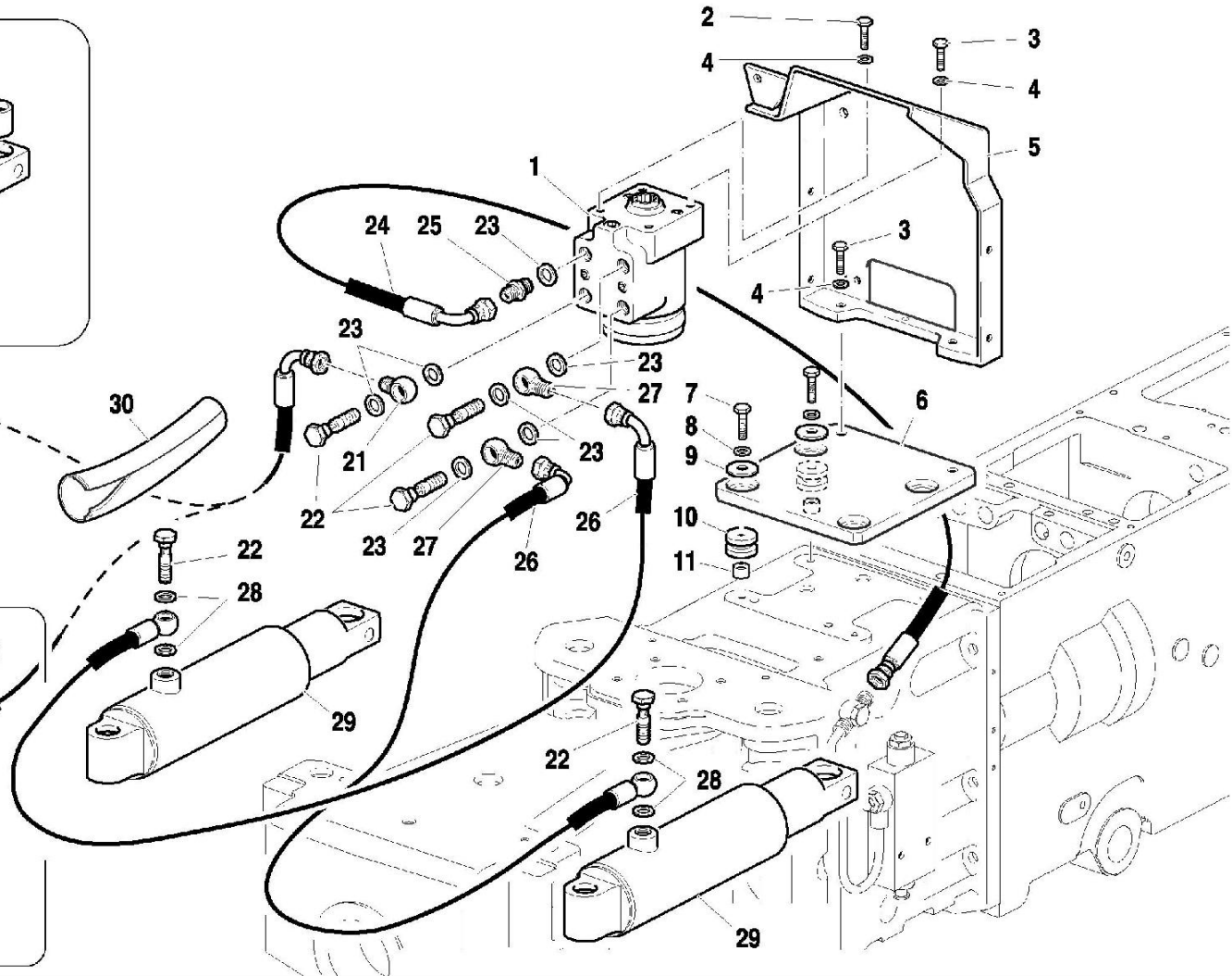
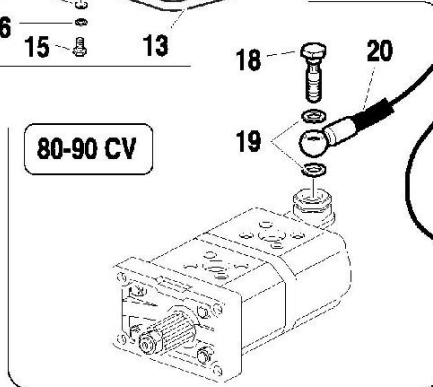
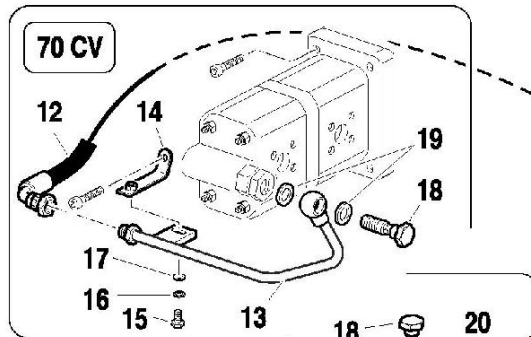
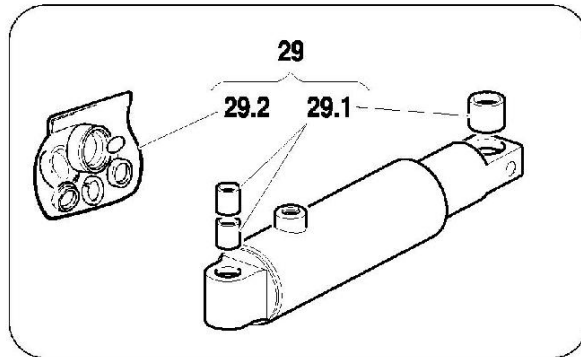
Rev.

0

Data

05/2003

1/1



Pos.	Code	Q.ty	Description	Notes
1	58171160	0	HYDROSTEERING	
2	31112210	0	SCREW TE M10X20 UNI 5739	
3	31112219	0	SCREW TE M10X25 UNI 5739	
4	F0843755000	0	WASHER 10	
5	59072974	0	SUPPORT	
6	56174529	0	RETAINING PLATE	
7	F0862694000	0	SCREW M8X170 UNI 5737	
8	F0843643060	0	WASHER 8	
9	31411090	0	WASHER 9x24	
10	55175174	0	BLOCK	
11	56171996	0	SPACER	
12	58074921	0	FLEXIBLE HOSE	
13	59075224	0	PRESSURE PIPE	
14	59075225	0	FIXING BRACKET	
15	31112090	0	SCREW TE M6X16 UNI 5739 8G	
16	F0843570000	0	WASHER 6	
17	31411064	0	WASHER 6,4x12,5	
18	F0843110010	0	THREADED TERMINAL END M18x1,5	
19	F0824113000	0	COPPER WASHER 18X24/1,5	
20	58074872	0	FLEXIBLE HOSE	
21	F0842512000	0	PIPE FITTING	
22	F0843116000	0	PIPE FITTING 1/2	
23	F0824141000	0	COPPER WASHER 21x27/1,5	
24	58074737	0	FLEXIBLE HOSE	
25	F0835037000	0	NIPPLE	
26	58074735	0	FLEXIBLE HOSE	
27	F0835040030	0	PIPE FITTING	
28	F0843948000	0	COPPER WASHER 14,0x20/1,5	
29	58174305	0	CYLINDER	
29.1	59900340	0	BUSHINGS KIT	
29.2	58171737	0	GASKET SET	
30	57372345	0	SHIELD	

SERIAL

STEERING HYDR. SYSTEM

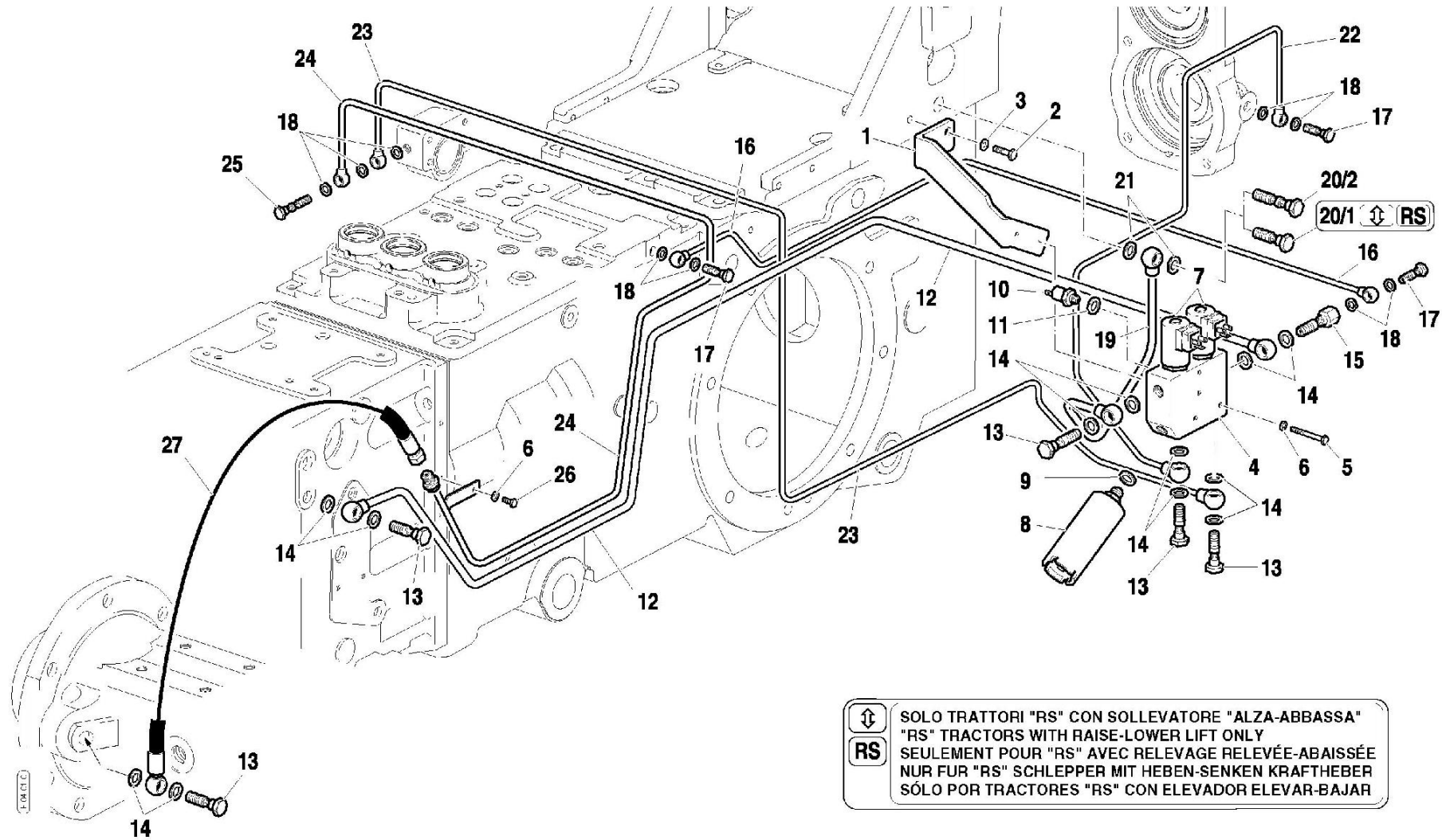
Power: 70 CV, 80 CV, 90 CV

CODE REV

F0303_0_17147

Validità			
70	80	90	
RS-M	RS-R	AR-M	AR-R

Tavola	Rev.	Data
F.04.01	0	05/2003



Pos.	Code	Q.ty	Description	Notes
1	56174665	0	SUPPORT	
2	31112150	0	SCREW TE M8X20 UNI 5739 8G	
3	F0843643060	0	WASHER 8	
4	56172749	0	SMALL BLOCK	
5	F0862345000	0	SCREW M6X40 UNI 5737	
6	F0843570000	0	WASHER 6	
7	58172463	0	ELECTRO VALVE	
8	59271011	0	UNIT	
9	F0843948000	0	COPPER WASHER 14,0x20/1,5	
10	58173399	0	PRESSURE SWITCH	
11	F0843841000	0	COPPER WASHER 12,0x18/1,5	
12	59074742	0	PRESSURE PIPE	
13	P98843800000	0	HOLLOW SCREW 1/4	
14	F0843907000	0	COPPER WASHER 13,66x19/1,5	
15	56172072	0	PIPE FITTING	
16	59074640	0	PIPE	
17	F0843102000	0	THR. TERMINAL END M10X1,25X20	
18	F0843771000	0	COPPER WASHER 10,0x16/1	
19	59074744	0	EXHAUST	
20/1	F0843109020	0	PIPE FITTING	
20/2	58172589	0	THREADED TERMINAL END	
21	F0824110000	0	COPPER WASHER 3/8 GAS	
22	59074743	0	PRESSURE PIPE	
23	59074748	0	PRESSURE PIPE	
24	59074749	0	PRESSURE PIPE	
25	58174732	0	HOLLOW SCREW	
26	31111090	0	SCREW TE M5X10 UNI 5739 8G	
27	58074736	0	FLEXIBLE HOSE	

SERIAL

PTO /DIFFERENTIAL LOCK HYDR. SYSTEM

Power: 70 CV, 80 CV, 90 CV

CODE REV

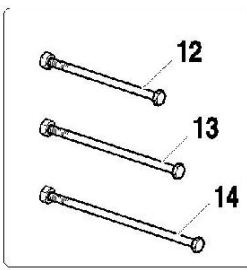
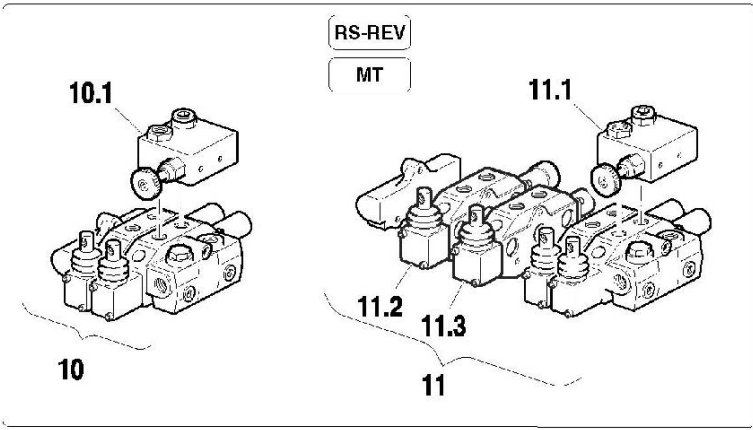
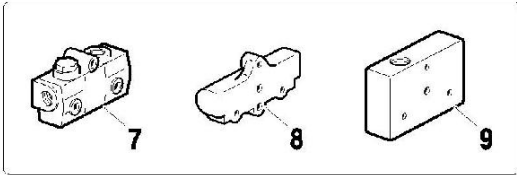
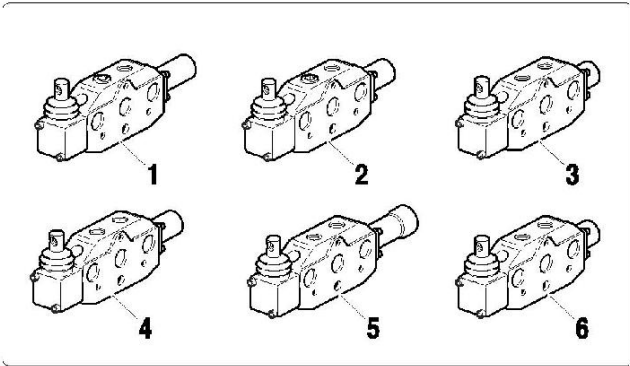
F0401_0_17228

Validità				
70	80	90		
RS-M	RS-R	MT	AR-M	AR-R

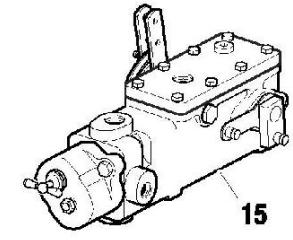
Tavola	Rev.	Data
I.01.01	0	05/2003

BUCHER HIDROIRMA

- VEDI TAVOLE GRUPPI...
 - SEE TABLES OF GROUPS...
 - VOIR TABLES GROUPES...
 - SIEHE GRUPPETAFFEL...
 - MIRAR TABLAS GRUPOS...



Mita
OLEODINAMICA S. p. A.



VEDI TAVOLE GRUPPO...
 SEE TABLES OF GROUP...
 VOIR TABLES GROUPE...
 SIEHE GRUPPETAFFEL...
 MIRAR TABLAS GRUPO...



Pos.	Code	Q.ty	Description	Notes
1	58172011	0	S.A. VALVE	
2	58172707	0	S.A. VALVE	
3	58172012	0	D.A. VALVE	
4	58172013	0	D.A. VALVE	
5	58172014	0	D.A. VALVE	
6	58172240	0	D.A. VALVE	
7	58172304	0	HEAD	
8	58172489	0	COVER	
9	58173361	0	COVER	
10	58171925	0	FLOATING DEVICE GROUP	
10.1	59900230	0	VALVE	
11	58174974	0	FLOATING DEVICE GROUP	
11.1	59900230	0	VALVE	
11.2	58172014	0	D.A. VALVE	
11.3	58172240	0	D.A. VALVE	
12	58172016	0	ROD	
13	58172017	0	ROD	
14	58172018	0	ROD	
15	58175191	0	DISTRIBUTOR	

FERRARI*Thor*

SOLLEVATORE ALZA - ABBASSA
RAISE/LOWER LIFT
RELEVAGE RELEVER/ABAISSER
HEBEN/SENKEN KRAFTHEBER
ELEVADOR ELEVAR/BAJAR

Validità

70	80	90
RS-M	RS-R	MT
AR-M	AR-R	

Tavola

L.01.01

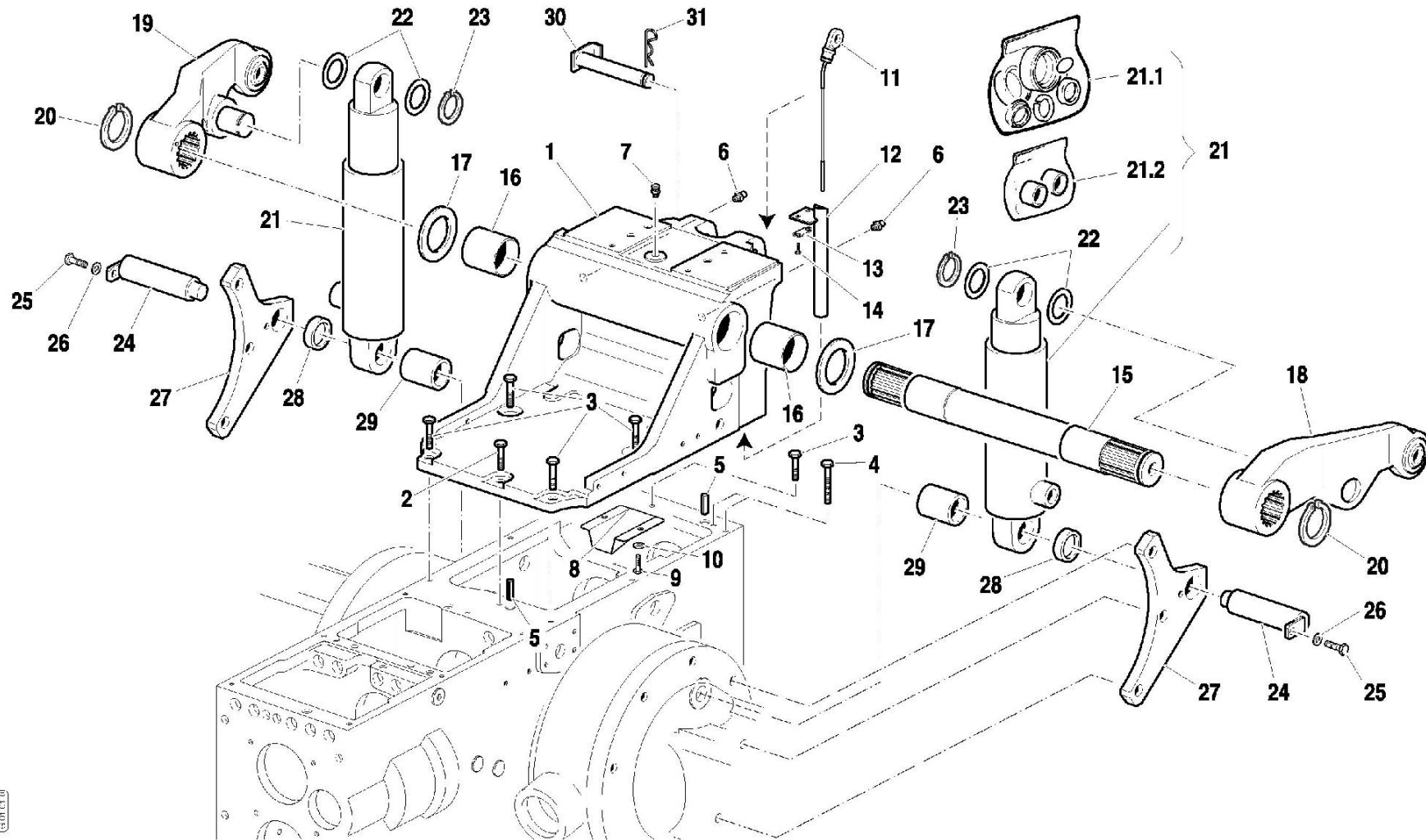
Rev.

0

Data

05/2003

1/1



Pos.	Code	Q.ty	Description	Notes
1	51174315	0	SUPPORT	
2	31112219	0	SCREW TE M10X25 UNI 5739	
3	31112211	0	SCREW TE M10X30 UNI 5739	
4	F0863429000	0	SCREW M10X45 UNI 5737	
5	56570016	0	CYLINDRICAL PLUG	
6	F0826056000	0	LUBRICATOR M10 UNI 7663A	
7	58075603	0	PLUG	
8	56173638	0	GUARD	
9	31112149	0	SCREW TE M8X12 UNI 5739 8G	
10	F0843643060	0	WASHER 8	
11	58174581	0	OIL LEVEL ROD	
12	59074443	0	PIPE	
13	52071702	0	CLAMPING PLATE	
14	31112082	0	SCREW TE M6X12 UNI 5739 8G	
15	56570284	0	SHAFT	
16	58170291	0	BUSHING	
17	56370288	0	SHIM	
18	59070289	0	LIFTING ARM	
19	59070290	0	RIGHT ARM	
20	F0801331050	0	SEEGER RING E 45 UNI 7436	
21	58170245	0	LIFTING CYLINDER	
21.1	58171537	0	GASKET SET	
21.2	58171536	0	BUSHINGS KIT	
22	56370282	0	SHIM	
23	F0801241010	0	SEEGER RING E 30 UNI 7436	
24	56370287	0	HINGE PIN	
25	31112150	0	SCREW TE M8X20 UNI 5739 8G	
26	F0843643060	0	WASHER 8	
27	56170283	0	BRACKET	
28	56170286	0	SPACER	
29	56170285	0	SPACER	
30	59073189	0	CONNECTING BOLT	
31	F0851486000	0	SPLIT PIN	

SERIAL

RAISE/LOWER LIFT
Power: 70 CV, 80 CV, 90 CV

CODE REV

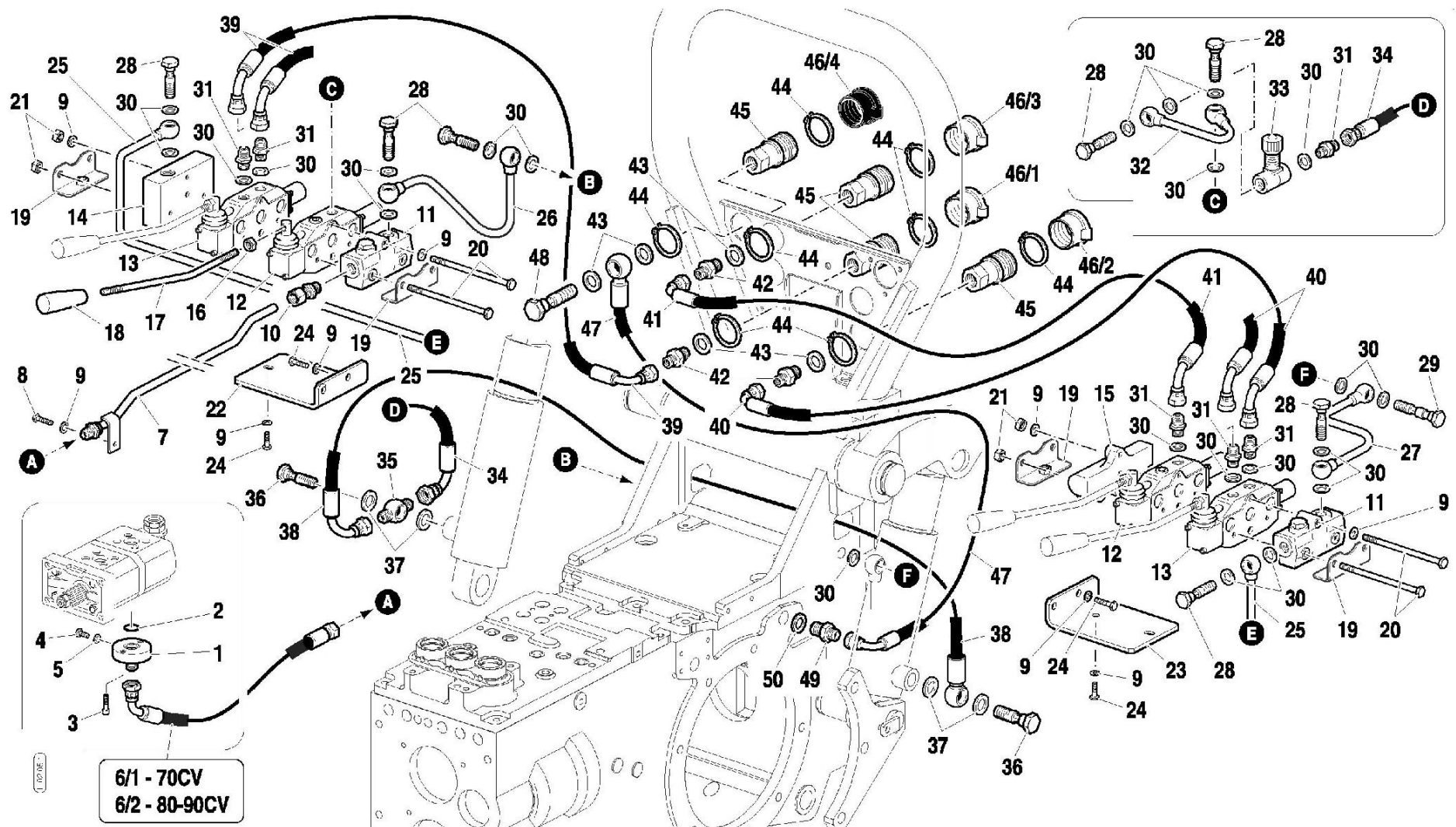
L0101_0_17311



ALLESTIMENTO DISTRIBUTORI CON SCARICO LIBERO
 FREE DISCHARGE CONTROL VALVES VERSION
 VERSION DISTRIBUTEURS AVEC ÉCOULEMENT LIBRE
 STEUERGERÄTE MIT FREIEM ABLASS AUSFÜHRUNG
 INSTALACIÓN DISTRIBUIDORES CON DESCARGUE LIBRE

Validità		
70	80	90
	AR-M	AR-R
901148 →		

Tavola	Rev.	Data
L.02.05	1	05/2003



Pos.	Code	Q.ty	Description	Notes
1	F0825809000	0	PRESSURE PIPE CONNECTOR	
2	F0803185000	0	O-RING 3068 (17,12x2,62)	
3	31152057	0	SCREW TCEI M6X16 UNI 5931	
4	F0862462010	0	SCREW M8X1/12 UNI5740	
5	F0824022000	0	SPECIAL GASKET D.8,4X12/1	
6/1	58075247	0	FLEXIBLE HOSE	
6/2	58073147	0	FLEXIBLE HOSE	
7	59074754	0	PRESSURE PIPE	
8	31111151	0	SCREW TE M8X16 UNI 5739 8G	
9	F0843643060	0	WASHER 8	
10	58172015	0	PIPE FITTING	
11	58172304	0	HEAD	
12	58172011	0	S.A. VALVE	
13	58172013	0	D.A. VALVE	
14	58173361	0	COVER	
15	58172489	0	COVER	
16	31211100	0	NUT M10	
17	56170964	0	COMMAND LEVER	
18	F0837534010	0	GRIP	
19	59072057	0	FIXING BRACKET	
20	58172016	0	ROD	
21	31211080	0	NUT M8	
22	56174227	0	RIGHT YOKE	
23	56174201	0	LEFT BRACKET	
24	31112150	0	SCREW TE M8X20 UNI 5739 8G	
25	59075037	0	PIPE	
26	59074759	0	OIL PIPE	
27	59075039	0	EXHAUST	
28	F0843109020	0	PIPE FITTING	
29	58172589	0	THREADED TERMINAL END	
30	F0824110000	0	COPPER WASHER 3/8 GAS	
31	F0835024010	0	NIPPLE	
32	59075360	0	PRESSURE PIPE	
33	P24117100000	0	VALVE	

SERIAL

FREE DISCHARGE CONTROL VALVES VERSION

Power: 70 CV, 80 CV, 90 CV

CODE REV

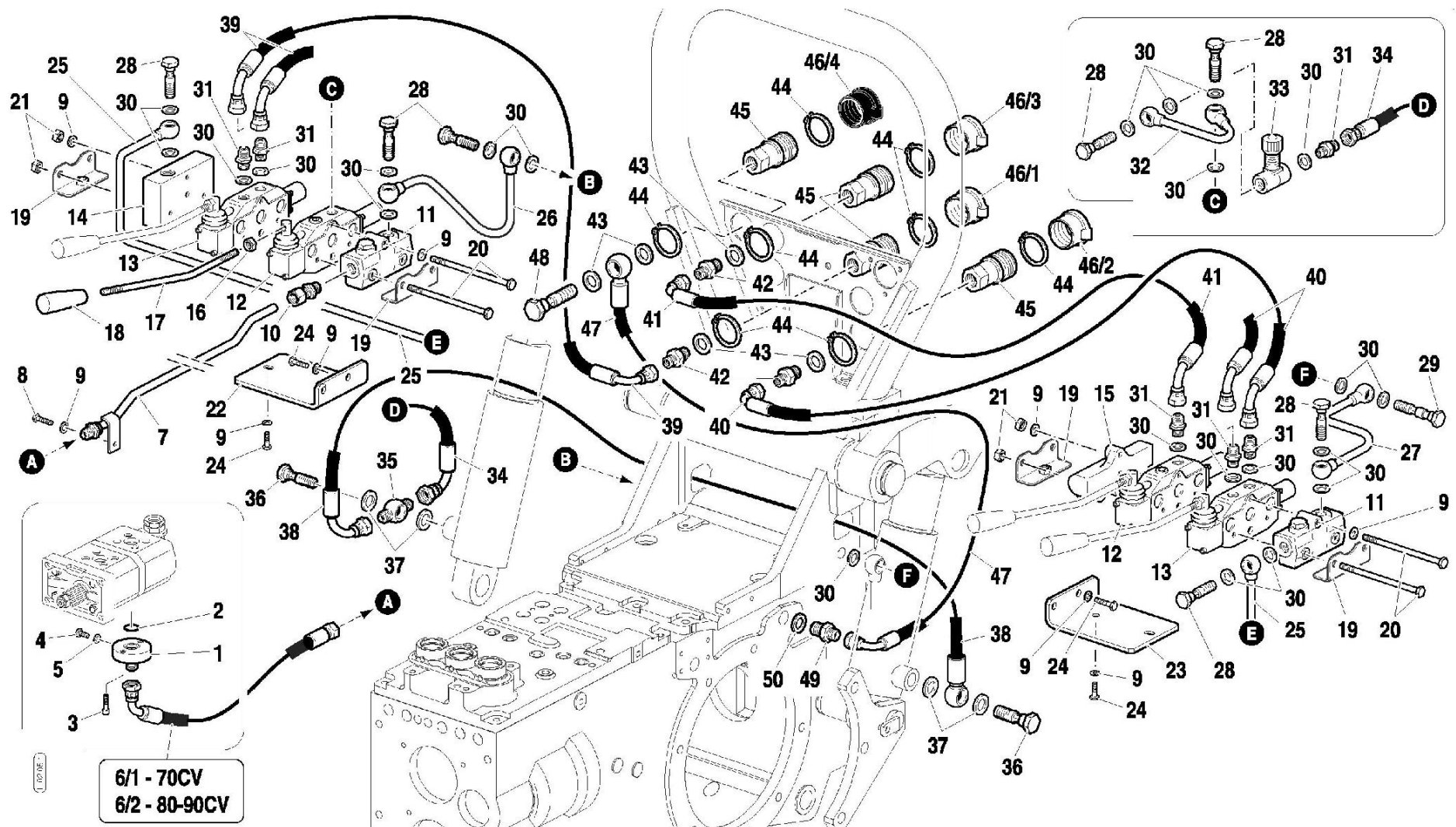
L0205_1_17701



ALLESTIMENTO DISTRIBUTORI CON SCARICO LIBERO
 FREE DISCHARGE CONTROL VALVES VERSION
 VERSION DISTRIBUTEURS AVEC ÉCOULEMENT LIBRE
 STEUERGERÄTE MIT FREIEM ABLASS AUSFÜHRUNG
 INSTALACIÓN DISTRIBUIDORES CON DESCARGUE LIBRE

Validità		
70	80	90
	AR-M	AR-R
901148 →		

Tavola	Rev.	Data
L.02.05	1	05/2003



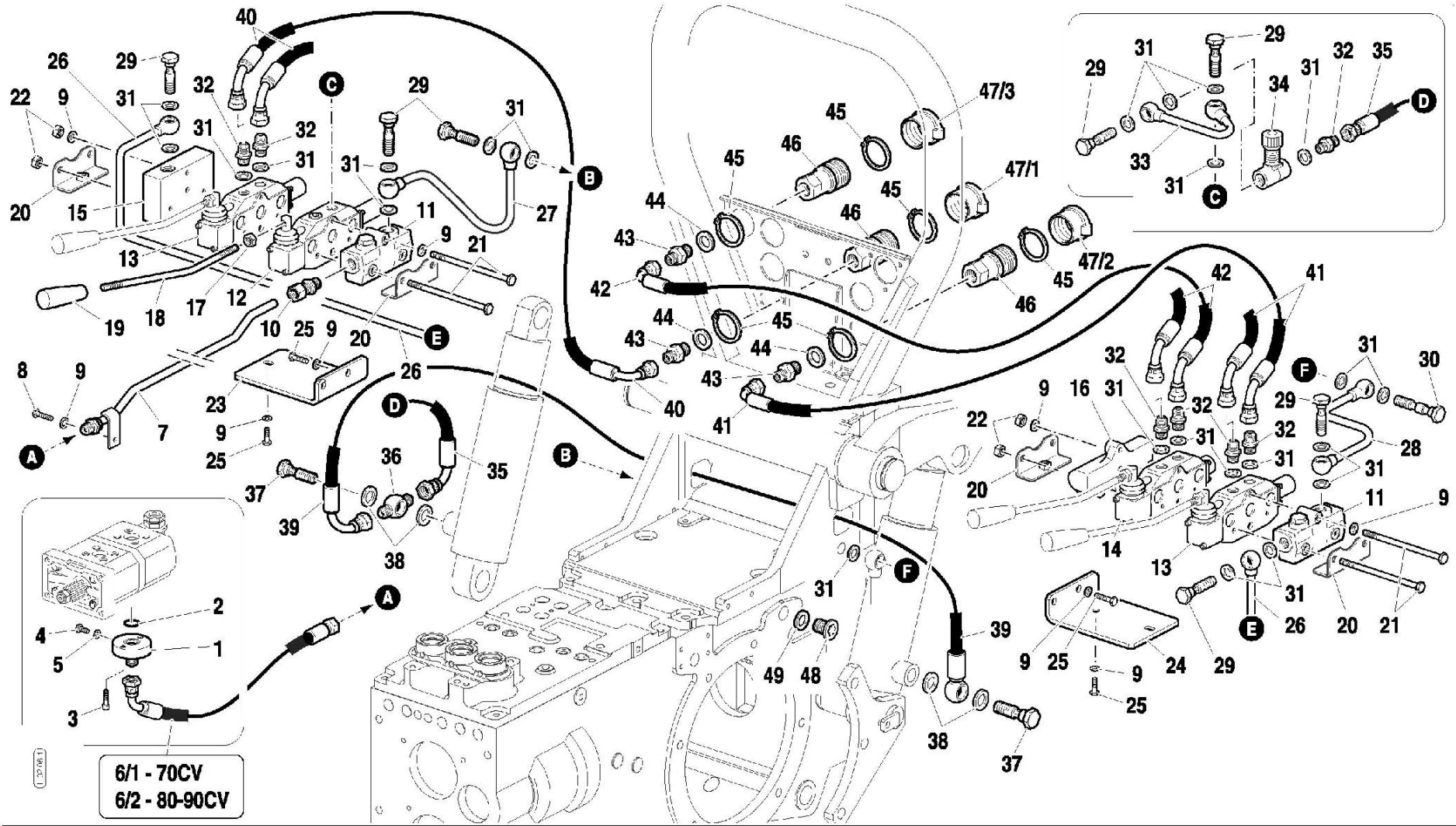
Pos.	Code	Q.ty	Description	Notes
34	58075358	0	FLEXIBLE HOSE	
35	58170512	0	EYELET	
36	F0843110010	0	THREADED TERMINAL END M18x1,5	
37	F0824113000	0	COPPER WASHER 18X24/1,5	
38	58070513	0	FLEXIBLE HOSE	
39	58075080	0	FLEXIBLE HOSE	
40	58074958	0	FLEXIBLE HOSE	
41	58075226	0	FLEXIBLE HOSE	
42	F0835037000	0	NIPPLE	
43	F0824141000	0	COPPER WASHER 21x27/1,5	
44	F0801297000	0	SEEGER RING E 40 UNI 7435	
45	F0825980030	0	COUPLING	
46/1	F0852550010	0	GUARD	
46/2	F0852550020	0	GUARD	
46/3	F0852550030	0	GUARD	
46/4	F0852550040	0	GUARD	
47	58075082	0	FLEXIBLE HOSE	
48	F0843116000	0	PIPE FITTING 1/2	
49	58175083	0	NIPPLE	
50	F0844273090	0	GASKET 22X28X1,5 CU 99,5	



ALLESTIMENTO DISTRIBUTORI SENZA SCARICO LIBERO
 CONTROL VALVES WITHOUT FREE DISCHARGE VERSION
 VERSION DISTRIBUTEURS SANS ÉCOULEMENT LIBRE
 STEUERGERÄTE OHNE FREIEN ABLASS AUSFÜHRUNG
 INSTALACIÓN DISTRIBUIDORES SIN DESCARGUE LIBRE

Validità		
70	80	90
	AR-M	AR-R
901148		→

Tavola	Rev.	Data
L.02.06	1	05/2003



6/1 - 70CV
 6/2 - 80-90CV

Pos.	Code	Q.ty	Description	Notes
1	F0825809000	0	PRESSURE PIPE CONNECTOR	
2	F0803185000	0	O-RING 3068 (17,12x2,62)	
3	31152057	0	SCREW TCEI M6X16 UNI 5931	
4	F0862462010	0	SCREW M8X1/12 UNI5740	
5	F0824022000	0	SPECIAL GASKET D.8,4X12/1	
6/1	58075247	0	FLEXIBLE HOSE	
6/2	58073147	0	FLEXIBLE HOSE	
7	59074754	0	PRESSURE PIPE	
8	31111151	0	SCREW TE M8X16 UNI 5739 8G	
9	F0843643060	0	WASHER 8	
10	58172015	0	PIPE FITTING	
11	58172304	0	HEAD	
12	58172011	0	S.A. VALVE	
13	58172013	0	D.A. VALVE	
14	58172012	0	D.A. VALVE	
15	58173361	0	COVER	
16	58172489	0	COVER	
17	31211100	0	NUT M10	
18	56170964	0	COMMAND LEVER	
19	F0837534010	0	GRIP	
20	59072057	0	FIXING BRACKET	
21	58172016	0	ROD	
22	31211080	0	NUT M8	
23	56174227	0	RIGHT YOKE	
24	56174201	0	LEFT BRACKET	
25	31112150	0	SCREW TE M8X20 UNI 5739 8G	
26	59075037	0	PIPE	
27	59074759	0	OIL PIPE	
28	59075039	0	EXHAUST	
29	F0843109020	0	PIPE FITTING	
30	58172589	0	THREADED TERMINAL END	
31	F0824110000	0	COPPER WASHER 3/8 GAS	
32	F0835024010	0	NIPPLE	
33	59075360	0	PRESSURE PIPE	

SERIAL

CONTROL VALVES WITHOUT FREE DISCHARGE VERSION

Power: 70 CV, 80 CV, 90 CV

CODE REV

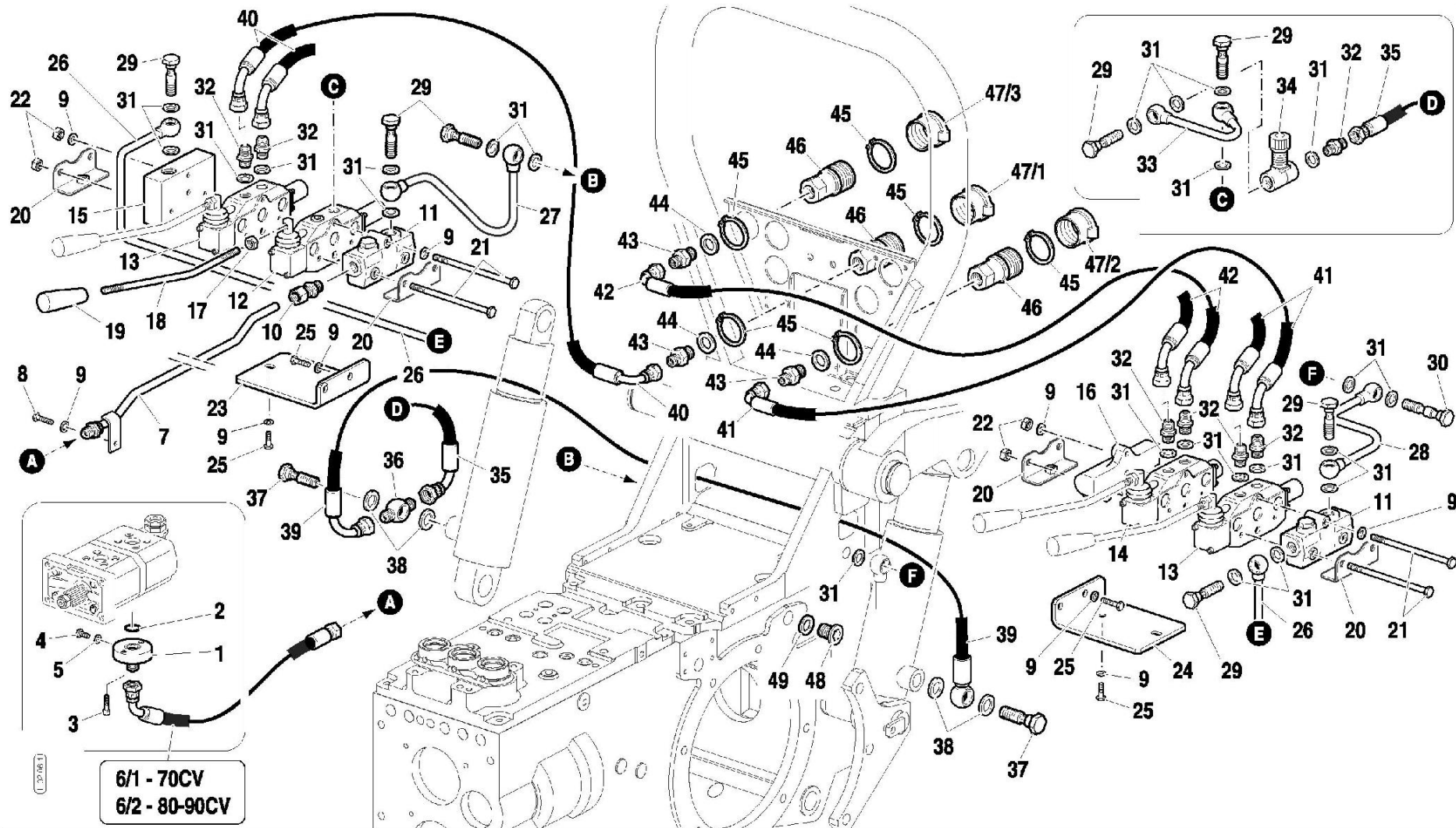
L0206_1_17808



ALLESTIMENTO DISTRIBUTORI SENZA SCARICO LIBERO
 CONTROL VALVES WITHOUT FREE DISCHARGE VERSION
 VERSION DISTRIBUTEURS SANS ÉCOULEMENT LIBRE
 STEUERGERÄTE OHNE FREIEN ABLASS AUSFÜHRUNG
 INSTALACIÓN DISTRIBUIDORES SIN DESCARGUE LIBRE

Validità		
70	80	90
	AR-M	AR-R
901148		→

Tavola	Rev.	Data
L.02.06	1	05/2003



6/1 - 70CV
 6/2 - 80-90CV

Pos.	Code	Q.ty	Description	Notes
34	P24117100000	0	VALVE	
35	58075358	0	FLEXIBLE HOSE	
36	58170512	0	EYELET	
37	F0843110010	0	THREADED TERMINAL END M18x1,5	
38	F0824113000	0	COPPER WASHER 18X24/1,5	
39	58070513	0	FLEXIBLE HOSE	
40	58075080	0	FLEXIBLE HOSE	
41	58074958	0	FLEXIBLE HOSE	
42	58075226	0	FLEXIBLE HOSE	
43	F0835037000	0	NIPPLE	
44	F0824141000	0	COPPER WASHER 21x27/1,5	
45	F0801297000	0	SEEGER RING E 40 UNI 7435	
46	F0825980030	0	COUPLING	
47/1	F0852550010	0	GUARD	
47/2	F0852550020	0	GUARD	
47/3	F0852550030	0	GUARD	
48	56370081	0	PLUG	
49	F0844273090	0	GASKET 22X28X1,5 CU 99,5	

FERRARI*Thor*

SOLLEVATORE POSIZIONE-SFORZO CONTROLLATI
 POSITION AND DRAFT CONTROL LIFT
 RELEVAGE A CONTROLE DE POSITION ET D'EFFORT
 KRAFTHEBER MIT ZUGKRAFT-U. LAGEREGLUNG
 ELEVADOR CON POSICION Y ESFUERZO CONTROLADO

Validità

70	80	90
RS-M	RS-R	AR-M AR-R

Tavola

M.01.01

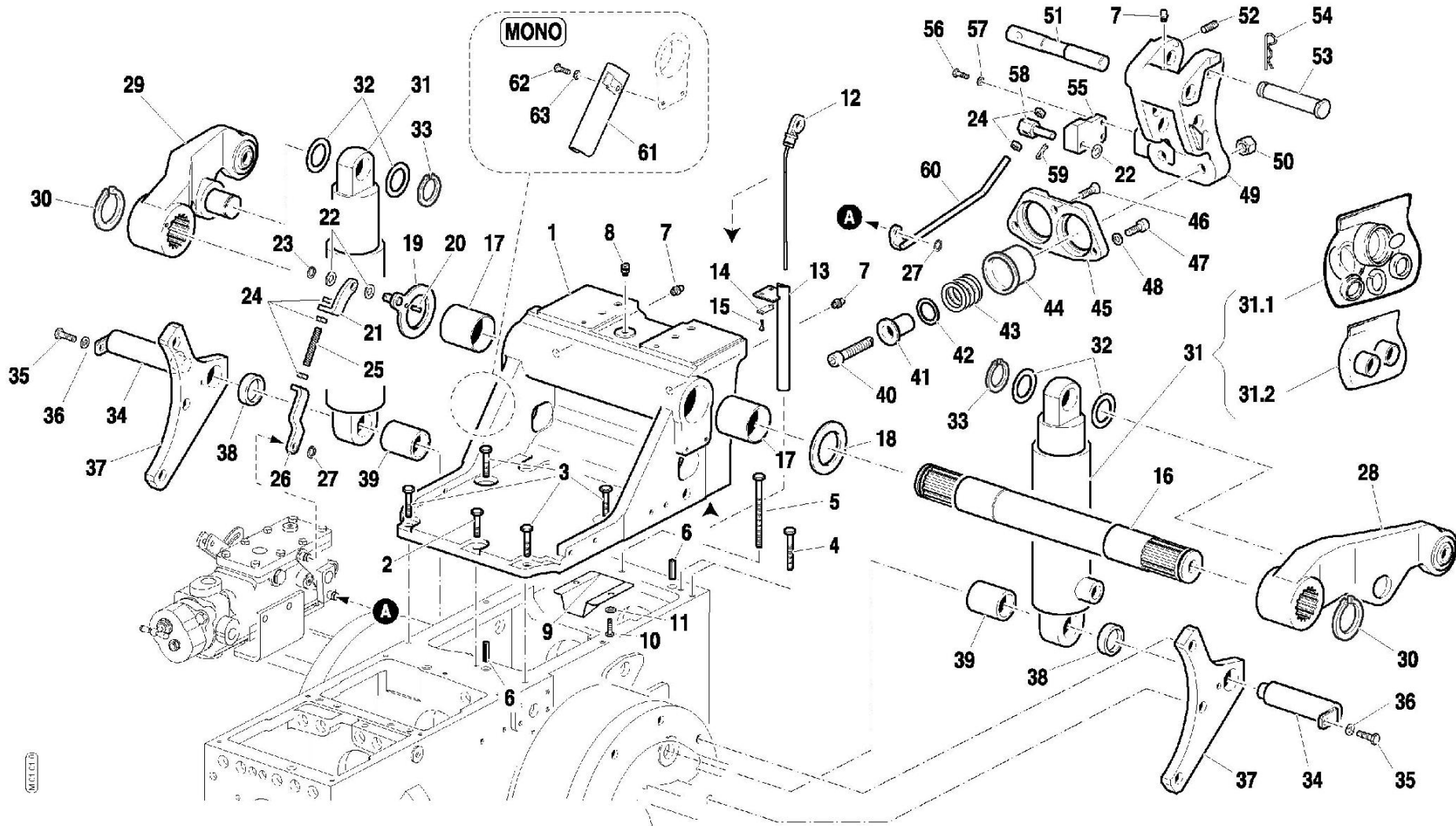
Rev.

0

Data

05/2003

1/2



Pos.	Code	Q.ty	Description	Notes
1	51174047	0	SUPPORT	
2	31112219	0	SCREW TE M10X25 UNI 5739	
3	31112211	0	SCREW TE M10X30 UNI 5739	
4	F0863429000	0	SCREW M10X45 UNI 5737	
5	31112217	0	SCREW TE M10X80 UNI 5737	
6	56570016	0	CYLINDRICAL PLUG	
7	F0826056000	0	LUBRICATOR M10 UNI 7663A	
8	58075603	0	PLUG	
9	56173638	0	GUARD	
10	31112149	0	SCREW TE M8X12 UNI 5739 8G	
11	F0843643060	0	WASHER 8	
12	58174581	0	OIL LEVEL ROD	
13	59074443	0	PIPE	
14	52071702	0	CLAMPING PLATE	
15	31112082	0	SCREW TE M6X12 UNI 5739 8G	
16	56570284	0	SHAFT	
17	58170291	0	BUSHING	
18	56370288	0	SHIM	
19	59075148	0	SHIM	
20	56570506	0	PIN	
21	56375147	0	BRACKET	
22	31411104	0	WASHER 10,5x18	
23	F0801050000	0	SEEGER RING E 10 UNI 7435	
24	F0814569000	0	NUT M8 UNI 5589 CL:8	
25	56375146	0	GRAIN	
26	56075145	0	BRACKET	
27	35211070	0	SEEGER RING E 7 UNI 7434	
28	59070289	0	LIFTING ARM	
29	59070290	0	RIGHT ARM	
30	F0801331050	0	SEEGER RING E 45 UNI 7436	
31	58170245	0	LIFTING CYLINDER	
31.1	58171537	0	GASKET SET	
31.2	58171536	0	BUSHINGS KIT	
32	56370282	0	SHIM	

SERIAL

POSITION AND DRAFT CONTROL LIFT

Power: 70 CV, 80 CV, 90 CV

CODE REV

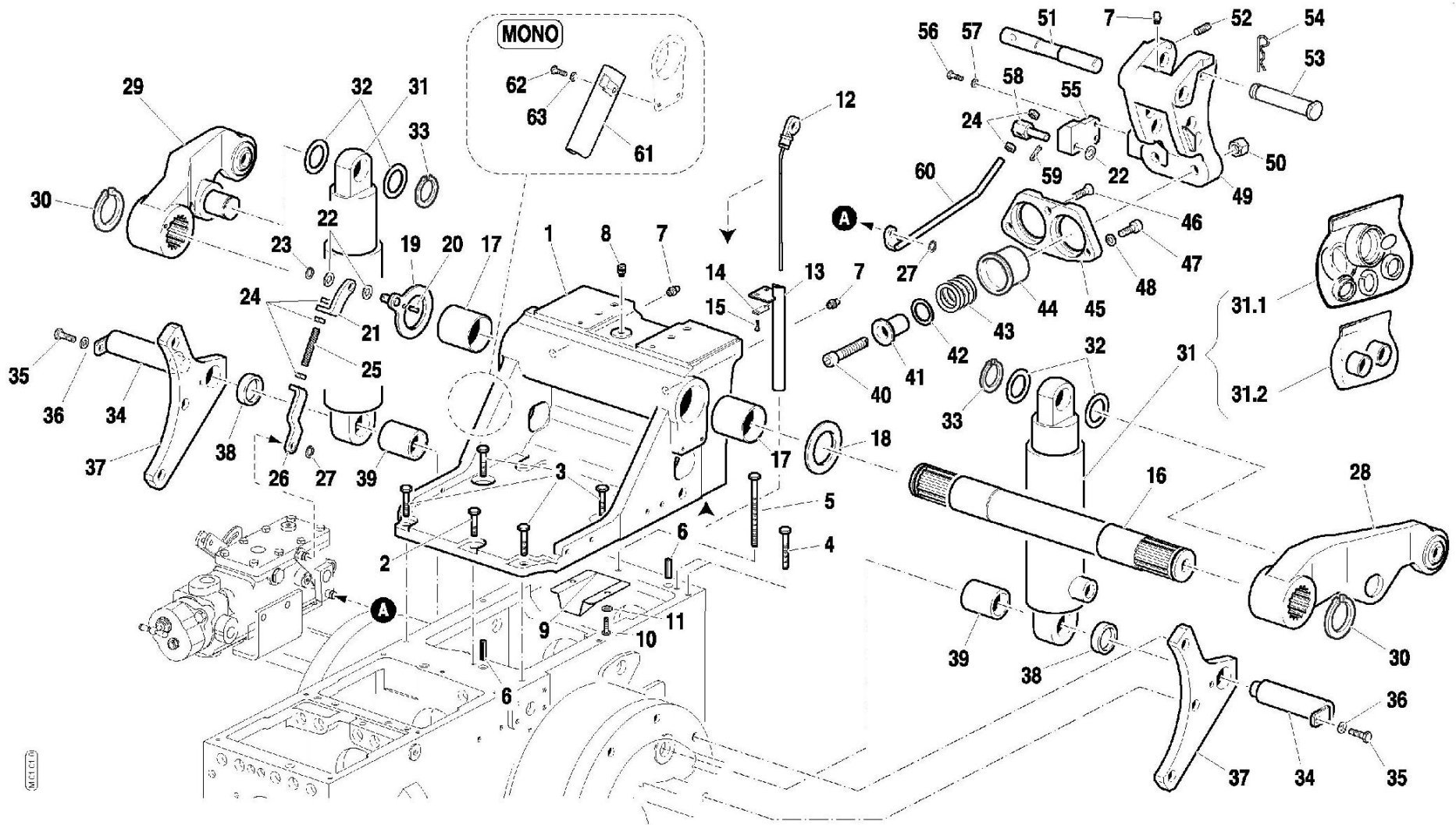
M0101_0_17861



SOLLEVATORE POSIZIONE-SFORZO CONTROLLATI
 POSITION AND DRAFT CONTROL LIFT
 RELEVAGE A CONTROLE DE POSITION ET D'EFFORT
 KRAFTHEBER MIT ZUGKRAFT-U. LAGEREGLUNG
 ELEVADOR CON POSICION Y ESFUERZO CONTROLADO

Validità			
70	80	90	
RS-M	RS-R	AR-M	AR-R

Tavola	Rev.	Data
M.01.01	0	05/2003



Pos.	Code	Q.ty	Description	Notes
33	F0801241010	0	SEEGER RING E 30 UNI 7436	
34	56370287	0	HINGE PIN	
35	31112150	0	SCREW TE M8X20 UNI 5739 8G	
37	56170283	0	BRACKET	
38	56170286	0	SPACER	
39	56170285	0	SPACER	
40	50973415	0	SCREW	
41	56073414	0	GUIDE	
42	56373426	0	SHIM	
42	56373427	0	SHIM	
42	56373428	0	SHIM	
42	58025869	0	SHIM	
43	58073411	0	SPRING	
44	56073413	0	SLEEVE	
45	56073416	0	FLANGE	
46	F0863208050	0	SCREW M10X20 UNI 5933	
47	31152097	0	SCREW TCEI M10X30 UNI 5931	
48	F0843755000	0	WASHER 10	
49	51173371	0	THREE-POINT LINKAGE	
50	31241121	0	SELFLOCK NUT M12	
51	56374574	0	CONNECTING BOLT	
52	F0862593050	0	SCREW M8X20 UNI 5927	
53	56373436	0	PIN	
54	F0851486000	0	SPLIT PIN	
55	59075140	0	SMALL BLOCK	
56	31112093	0	SCREW TE M6X20 UNI 5739 8G	
57	F0843570000	0	WASHER 6	
58	56075143	0	HINGE PIN	
59	34110030	0	SPLIT PIN	
60	59075137	0	ROD	
61	59075178	0	CABLE BARRIER RAIL	
62	31111091	0	SCREW E M6X14 UNI 5739 8G	
63	F0843570000	0	WASHER 6	

SERIAL

POSITION AND DRAFT CONTROL LIFT

Power: 70 CV, 80 CV, 90 CV

CODE REV

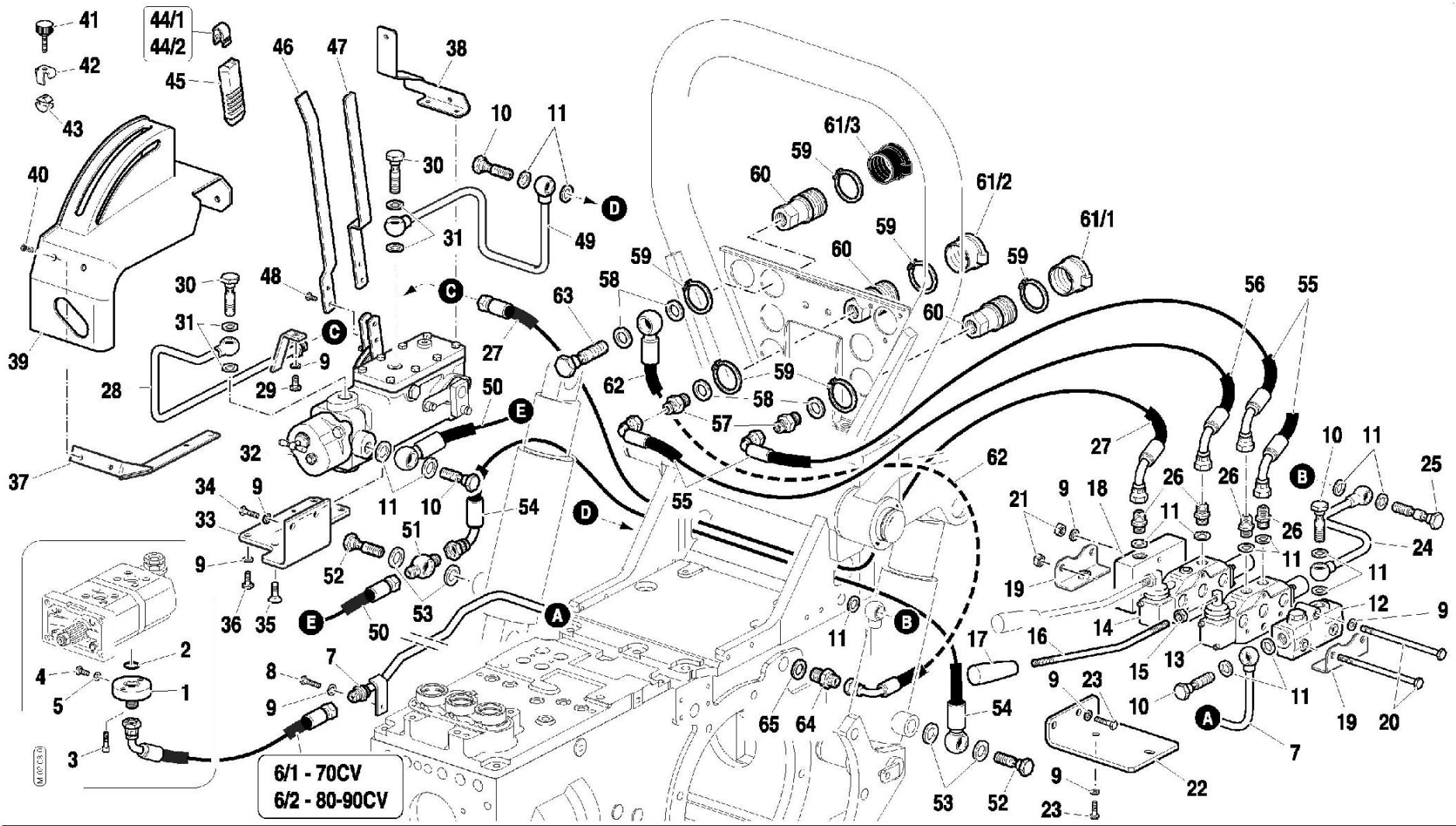
M0101_0_17861



ALLESTIMENTO DISTRIBUTORI CON SCARICO LIBERO
 FREE DISCHARGE CONTROL VALVES VERSION
 VERSION DISTRIBUTEURS AVEC ÉCOULEMENT LIBRE
 STEUERGERÄTE MIT FREIEM ABLASS AUSFÜHRUNG
 INSTALACIÓN DISTRIBUIDORES CON DESCARGUE LIBRE

Validità		
70	80	90
		AR-M AR-R

Tavola	Rev.	Data
M.02.03	0	05/2003



Pos.	Code	Q.ty	Description	Notes
1	F0825809000	0	PRESSURE PIPE CONNECTOR	
2	F0803185000	0	O-RING 3068 (17,12x2,62)	
3	31152057	0	SCREW TCEI M6X16 UNI 5931	
4	F0862462010	0	SCREW M8X1/12 UNI5740	
5	F0824022000	0	SPECIAL GASKET D.8,4X12/1	
6/1	58075247	0	FLEXIBLE HOSE	
6/2	58073147	0	FLEXIBLE HOSE	
7	59075169	0	PRESSURE PIPE	
8	31111151	0	SCREW TE M8X16 UNI 5739 8G	
9	F0843643060	0	WASHER 8	
10	F0843109020	0	PIPE FITTING	
11	F0824110000	0	COPPER WASHER 3/8 GAS	
12	58172304	0	HEAD	
13	58172013	0	D.A. VALVE	
14	58172011	0	S.A. VALVE	
15	31211100	0	NUT M10	
16	56170964	0	COMMAND LEVER	
17	F0837534010	0	GRIP	
18	58173361	0	COVER	
19	59072057	0	FIXING BRACKET	
20	58172016	0	ROD	
21	31211080	0	NUT M8	
22	56174201	0	LEFT BRACKET	
23	31112150	0	SCREW TE M8X20 UNI 5739 8G	
24	59075039	0	EXHAUST	
25	58172589	0	THREADED TERMINAL END	
26	F0835024010	0	NIPPLE	
27	58075159	0	FLEXIBLE HOSE	
28	59075979	0	PRESSURE PIPE	
29	31112149	0	SCREW TE M8X12 UNI 5739 8G	
30	F0843116000	0	PIPE FITTING 1/2	
31	F0824141000	0	COPPER WASHER 21x27/1,5	
32	58175191	0	DISTRIBUTOR	
33	56075161	0	FIXING BRACKET	

SERIAL

FREE DISCHARGE CONTROL VALVES VERSION

Power: 70 CV, 80 CV, 90 CV

CODE REV

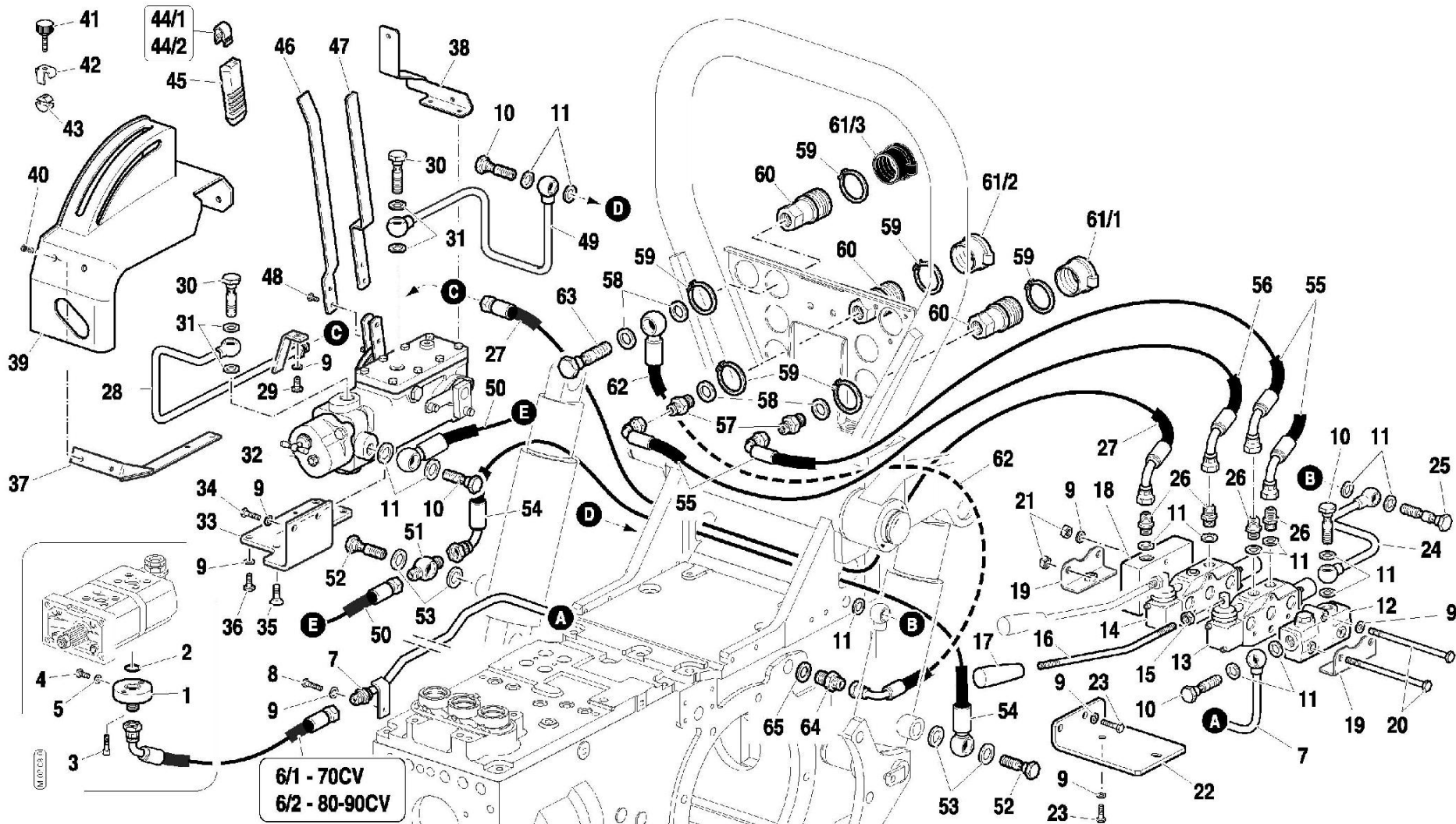
M0203_0_18066



ALLESTIMENTO DISTRIBUTORI CON SCARICO LIBERO
 FREE DISCHARGE CONTROL VALVES VERSION
 VERSION DISTRIBUTEURS AVEC ÉCOULEMENT LIBRE
 STEUERGERÄTE MIT FREIEM ABLASS AUSFÜHRUNG
 INSTALACIÓN DISTRIBUIDORES CON DESCARGUE LIBRE

Validità		
70	80	90
		AR-M AR-R

Tavola	Rev.	Data
M.02.03	0	05/2003



Pos.	Code	Q.ty	Description	Notes
34	31112150	0	SCREW TE M8X20 UNI 5739 8G	
35	F0862481000	0	SCREW M8x16 UNI 5933	
36	31111151	0	SCREW TE M8X16 UNI 5739 8G	
37	59075254	0	FIXING BRACKET	
38	56075252	0	FIXING BRACKET	
39	57375195	0	COVER	
40	F0861973000	0	SCREW M6X10 COMBI	
41	58175196	0	KNOB	
42	56075197	0	CLIP	
43	56075198	0	SMALL BLOCK	
44/1	58175211	0	INSERT	
44/2	58175188	0	INSERT	
45	58175187	0	KNOB	
46	56075185	0	COMMAND LEVER	
47	56075186	0	COMMAND LEVER	
48	31111090	0	SCREW TE M5X10 UNI 5739 8G	
49	59075171	0	EXHAUST	
50	58075160	0	FLEXIBLE HOSE	
51	58170512	0	EYELET	
52	F0843110010	0	THREADED TERMINAL END M18x1,5	
53	F0824113000	0	COPPER WASHER 18X24/1,5	
54	58070513	0	FLEXIBLE HOSE	
55	58074958	0	FLEXIBLE HOSE	
56	58075226	0	FLEXIBLE HOSE	
57	F0835037000	0	NIPPLE	
58	F0824141000	0	COPPER WASHER 21x27/1,5	
59	F0801297000	0	SEEGER RING E 40 UNI 7435	
60	F0825980030	0	COUPLING	
61/1	F0852550020	0	GUARD	
61/2	F0852550030	0	GUARD	
61/3	F0852550040	0	GUARD	
62	58075082	0	FLEXIBLE HOSE	
63	F0843116000	0	PIPE FITTING 1/2	
64	58175083	0	NIPPLE	

SERIAL

FREE DISCHARGE CONTROL VALVES VERSION

Power: 70 CV, 80 CV, 90 CV

CODE REV

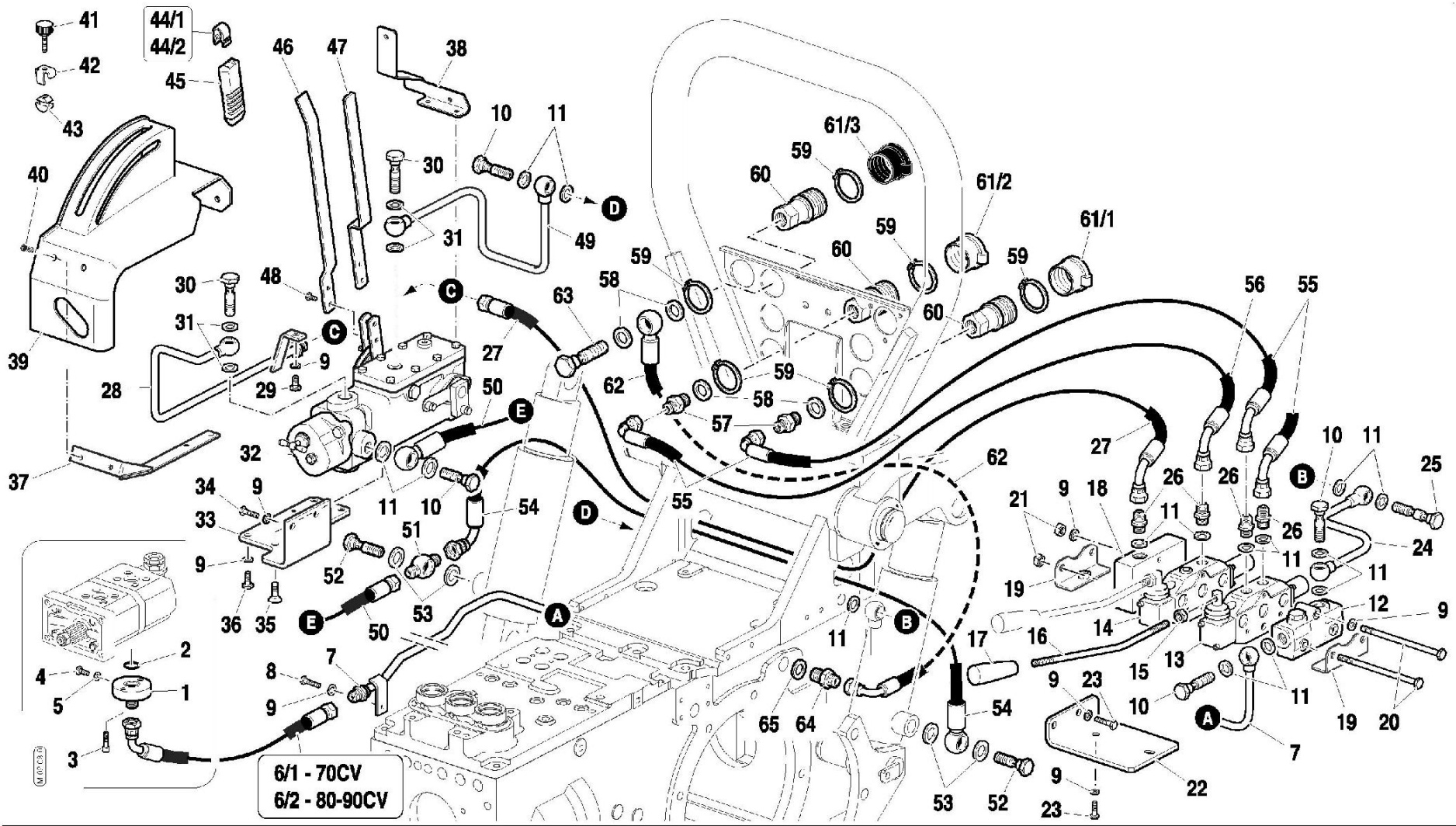
M0203_0_18066



ALLESTIMENTO DISTRIBUTORI CON SCARICO LIBERO
 FREE DISCHARGE CONTROL VALVES VERSION
 VERSION DISTRIBUTEURS AVEC ÉCOULEMENT LIBRE
 STEUERGERÄTE MIT FREIEM ABLASS AUSFÜHRUNG
 INSTALACIÓN DISTRIBUIDORES CON DESCARGUE LIBRE

Validità		
70	80	90
		AR-M AR-R

Tavola	Rev.	Data
M.02.03	0	05/2003



Pos.	Code	Q.ty	Description	Notes
65	F0844273090	0	GASKET 22X28X1,5 CU 99,5	

SERIAL

FREE DISCHARGE CONTROL VALVES VERSION

Power: 70 CV, 80 CV, 90 CV

CODE REV

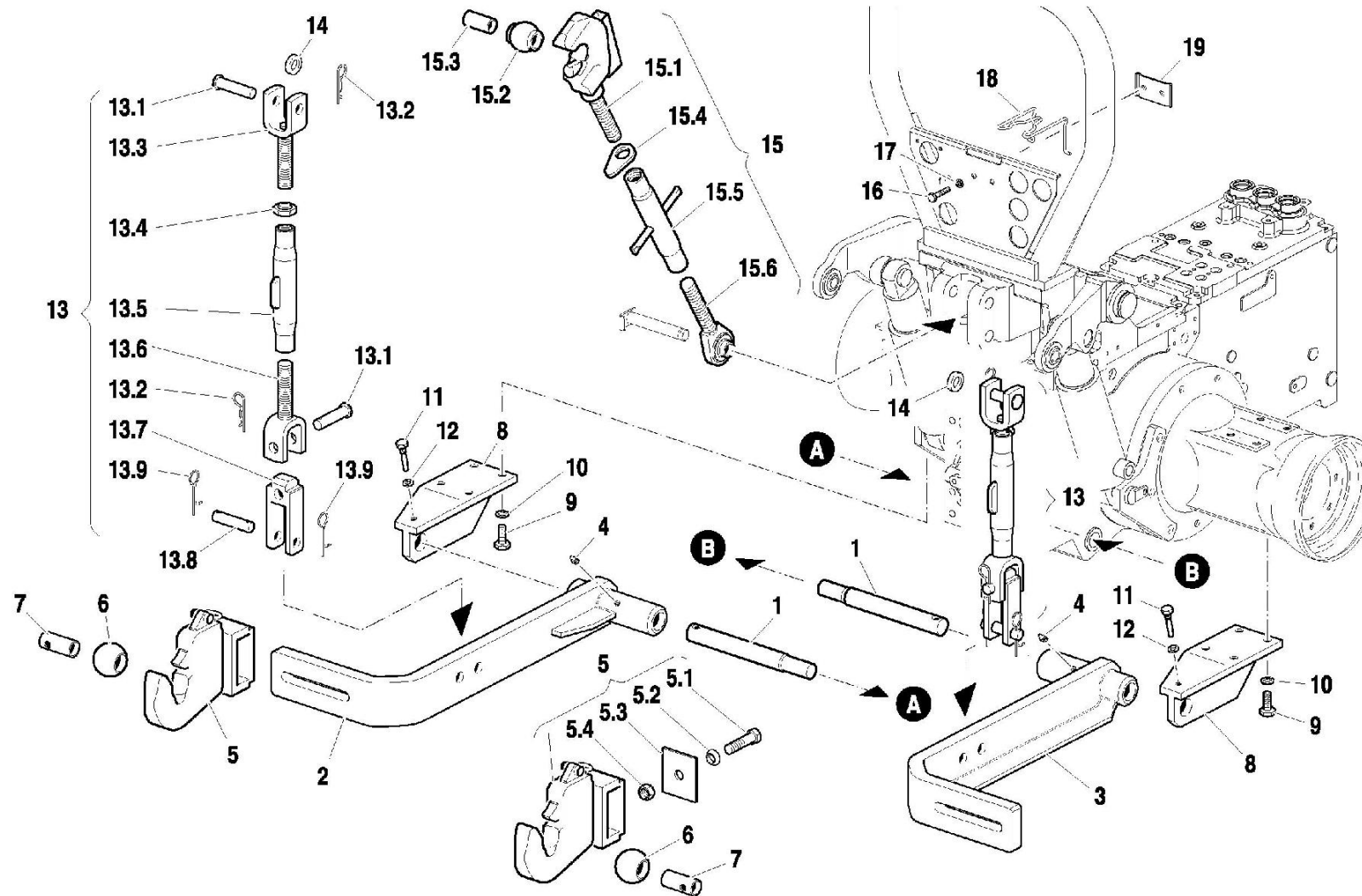
M0203_0_18066



ATTACCO ATTREZZI - VERSIONE BASE
 IMPLEMENTS ATTACHMENT - STANDARD
 ATTELAGE OUTILS - SERIE
 GERÄTE ANSCHLUSS - SERIE
 ENGANCHE INSTRUMENTOS - SERIE

Validità		
70	80	90
	AR-M	AR-R

Tavola	Rev.	Data
T.02.01	0	05/2003



Pos.	Code	Q.ty	Description	Notes
1	56575035	0	PIN	
2	59074983	0	LEFT ARM	
3	59074979	0	LEFT ARM	
4	F0826056000	0	LUBRICATOR M10 UNI 7663A	
5	59075667	0	CLEVIS	
5.1	F0864364000	0	SCREW M16X60 UNI 5737	
5.2	58175668	0	WASHER D.16	
5.3	56075669	0	CLAMPING PLATE	
5.4	31211160	0	NUT M16	
6	58171000	0	JOINT	
7	58171021	0	REDUCING BUSH	
8	59075028	0	SUPPORT	
9	31112272	0	SCREW TE M12X30 UNI 5739	
10	F0843843060	0	WASHER 12	
11	56075036	0	SCREW	
12	F0843755000	0	WASHER 10	
13	58174984	0	ROD	
13.1	58071755	0	PIN	
13.2	F0851486000	0	SPLIT PIN	
13.3	58072053	0	ROD	
13.4	F0814907000	0	NUT M24X2	
13.5	58070562	0	PIPE	
13.6	58072055	0	ROD	
13.7	59075004	0	FORK	
13.8	P45367202000	0	PIN	
13.9	P45366801000	0	SPLIT PIN	
14	58071757	0	WASHER D.33x19,5/8	
15	58070848	0	3-POINT HITCH	
15.1	58171007	0	TIP	
15.2	58173072	0	JOINT	
15.3	56073059	0	REDUCING BUSH	
15.4	58171006	0	RETAINING WASHER	
15.5	58171005	0	BODY	
15.6	58171004	0	TIP	

SERIAL

IMPLEMENTS ATTACHMENT - STANDARD

Power: 70 CV, 80 CV, 90 CV

CODE REV

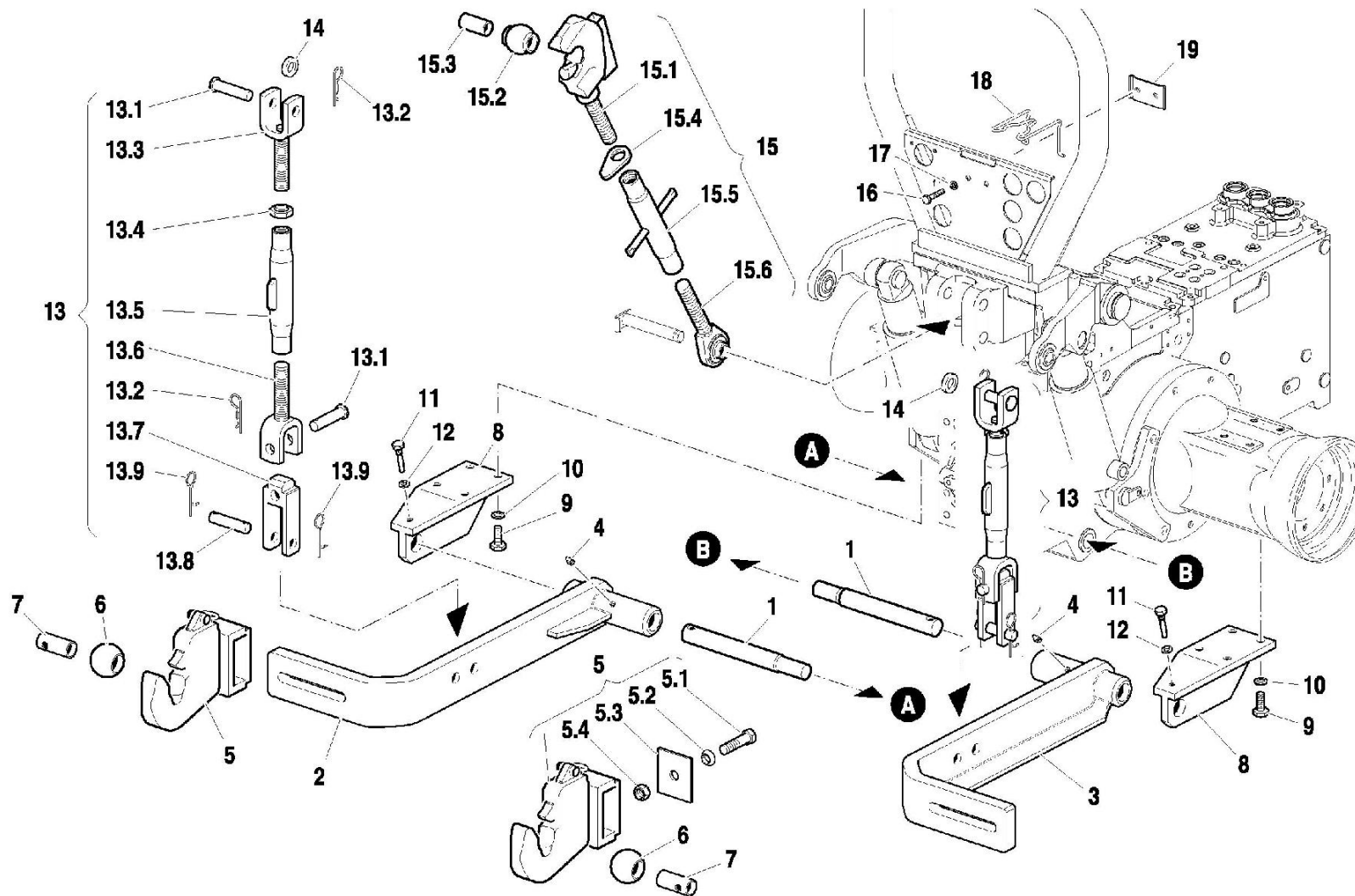
T0201_0_18228



ATTACCO ATTREZZI - VERSIONE BASE
 IMPLEMENTS ATTACHMENT - STANDARD
 ATTELAGE OUTILS - SERIE
 GERÄTE ANSCHLUSS - SERIE
 ENGANCHE INSTRUMENTOS - SERIE

Validità		
70	80	90
	AR-M	AR-R

Tavola	Rev.	Data
T.02.01	0	05/2003



Pos.	Code	Q.ty	Description	Notes
16	31112150	0	SCREW TE M8X20 UNI 5739 8G	
17	F0843643060	0	WASHER 8	
18	58170449	0	RETAINING SPRING	
19	59070448	0	FIXING BRACKET	

Pos.	Code	Q.ty	Description	Notes
1	56574008	0	NON RETURN ARM BAR (75841/2)	
2	F0810622010	0	SPLIT PIN A4X40 UNI 1336	
3	56170392	0	SPACER	
4	58071322	0	BOTTOM LINK	
4.1	F0852107050	0	PISTON PIN	
4.2	58171021	0	REDUCING BUSH	
5	59070951	0	SUPPORT	
6	59070950	0	SUPPORT	
7	31112272	0	SCREW TE M12X30 UNI 5739	
8	F0843843060	0	WASHER 12	
9	58070952	0	ROD	
9.10	58070956	0	COMPLETE FORK	
9.1	56370957	0	HINGE PIN	
9.11	F0814811000	0	SELFLOCK NUT M18X1,5	
9.2	F0851486000	0	SPLIT PIN	
9.3	58070480	0	PIN	
9.4	34110029	0	SPLIT PIN	
9.5	58070484	0	BRACKET	
9.6	58070953	0	ROD	
9.7	58070955	0	TUBO FILET.TIRANTE SOLLEVATORE	
9.8	F0814907000	0	NUT M24X2	
9.9	58070954	0	ROD	
10	58073205	0	ROD	
10.1	58071755	0	PIN	
10.2	F0851486000	0	SPLIT PIN	
10.3	58075843	0	FORK	
10.4	58073212	0	ROD	
10.5	F0814907000	0	NUT M24X2	
10.6	58072054	0	PIPE	
10.7	58073206	0	ROD	
10.8	58070482	0	PIN	
11	58071757	0	WASHER D.33x19,5/8	
12	58073034	0	3-POINT HITCH	
12.1	58173074	0	TIP	

SERIAL

IMPLEMENTS ATTACHMENT - STRAIGHT ARMS VERSION

Power: 70 CV, 80 CV, 90 CV

CODE REV

T0202_0_18267

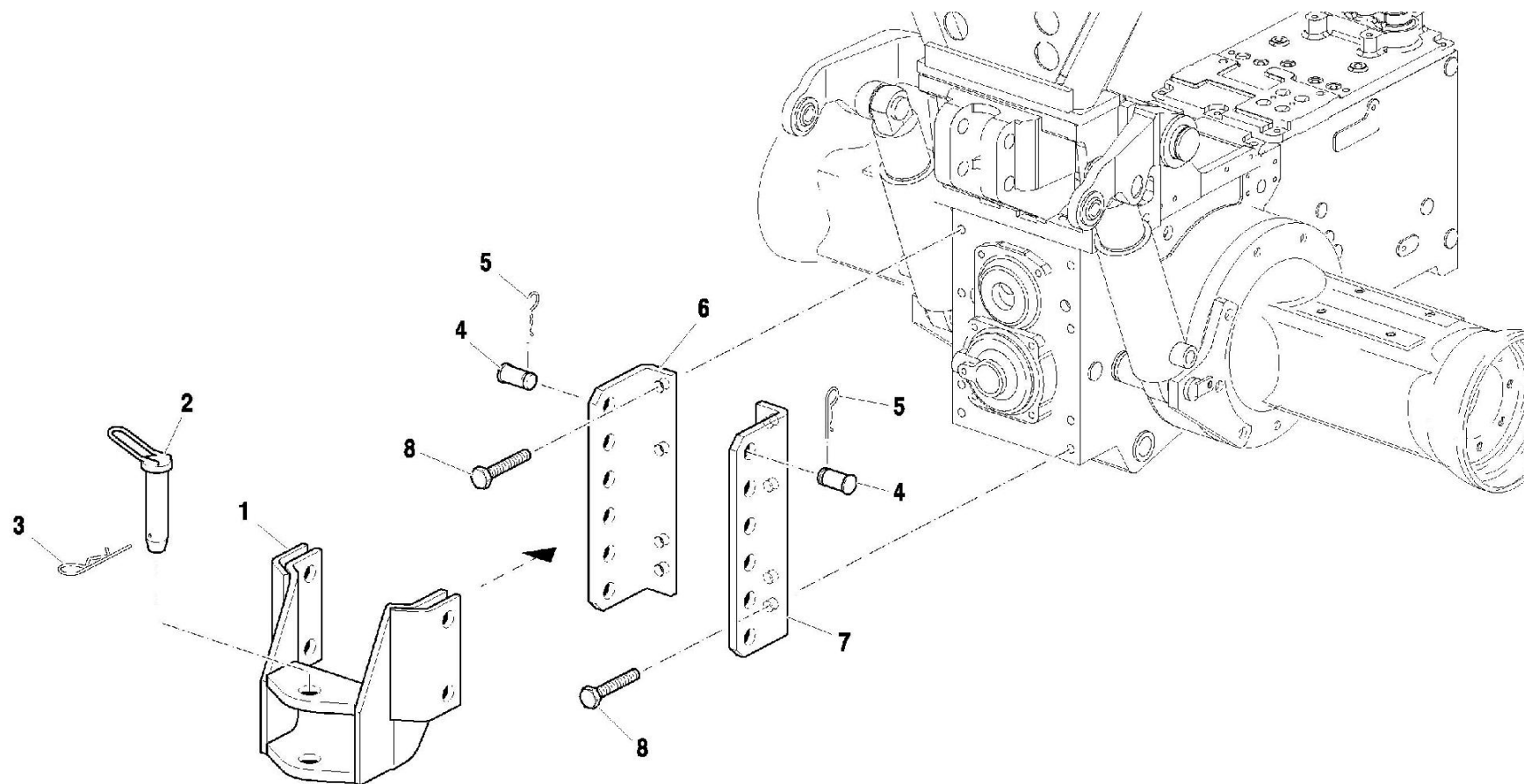
Pos.	Code	Q.ty	Description	Notes
12.2	56073059	0	REDUCING BUSH	
12.3	58171006	0	RETAINING WASHER	
12.4	58173075	0	CORPO PUNTONE 3°PUNTO	
12.5	58171004	0	TIP	
13	31112150	0	SCREW TE M8X20 UNI 5739 8G	
14	F0843643060	0	WASHER 8	
15	58170449	0	RETAINING SPRING	
16	59070448	0	FIXING BRACKET	



GANCIO DI TRAINO - VERSIONE BASE
PULL HOOK - STANDARD
CROCHET DE TRACTION - SERIE
ZUGHAKEN - SERIE
GANCHO DE REMOLQUE - SERIE

Validità				
70	80	90		
RS-M	RS-R	MT	AR-M	AR-R

Tavola	Rev.	Data
T.03.01	0	05/2003



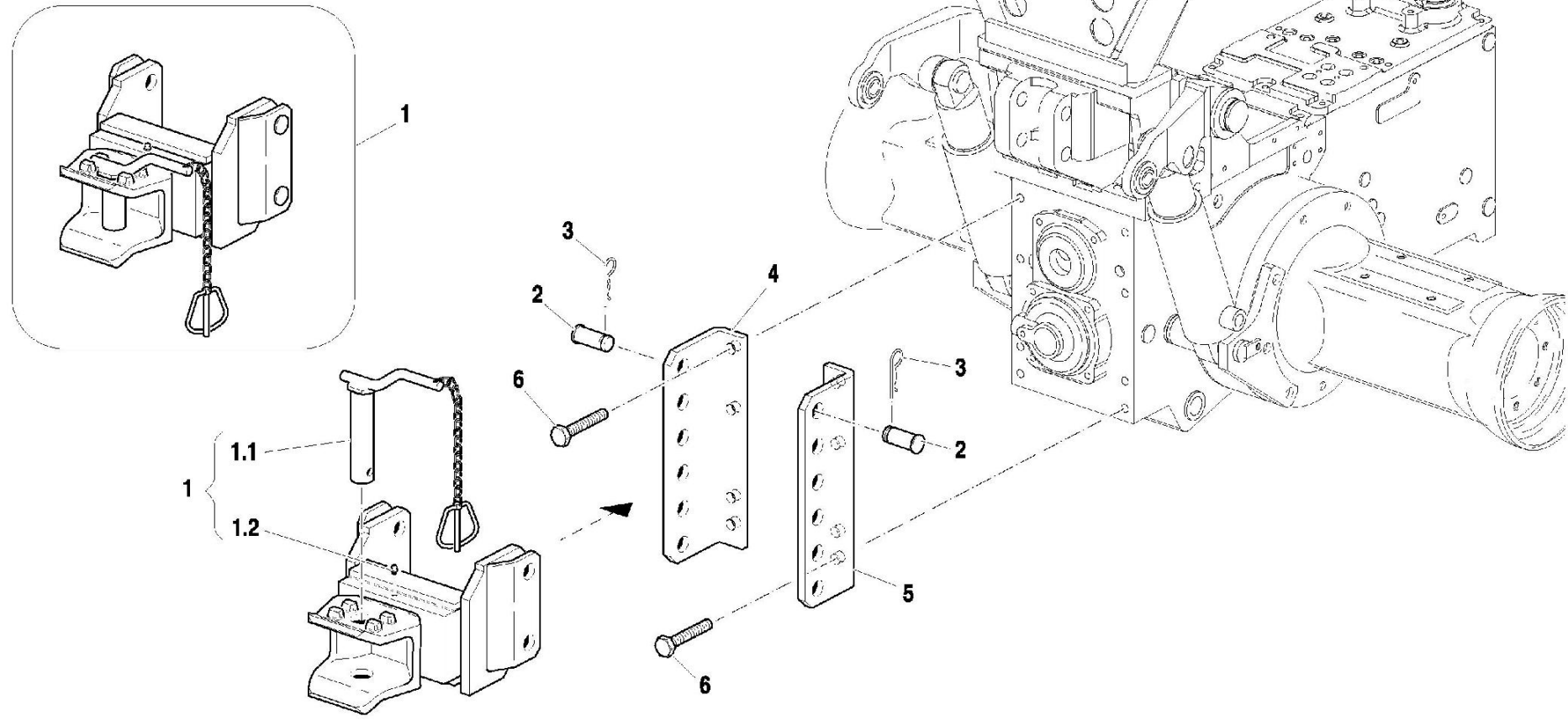
Pos.	Code	Q.ty	Description	Notes
1	59070702	0	TOW HOOK	
2	F0808060100	0	LATCH D.28X117	
3	F0851497000	0	SPLIT PIN	
4	56370696	0	PIN	
5	F0851486000	0	SPLIT PIN	
6	56170704	0	SUPPORT	
7	56170705	0	SUPPORT	
8	F0864180000	0	SCREW M14X30 UNI 5740	



GANCIO DI TRAINO OMOLOGATO SECONDO NORME "CEE"
POOL HOOK "EEC" APPROVED
CROCHET DE TRACTION HOMOL. "CEE"
" EWG" FREIGELEGEBENE ZUGHAKEN
GANCHO DE REMOLQUE HOMOL. "CEE"

Validità				
70	80	90		
RS-M	RS-R	MT	AR-M	AR-R

Tavola	Rev.	Data
T.03.02	0	05/2003



Pos.	Code	Q.ty	Description	Notes
1	59375009	0	TOW HOOK	
1.1	59075012	0	PIN	
1.2	F0826056000	0	LUBRICATOR M10 UNI 7663A	
2	56375008	0	PIN	
3	F0851486000	0	SPLIT PIN	
4	56170704	0	SUPPORT	
5	56170705	0	SUPPORT	
6	F0864180000	0	SCREW M14X30 UNI 5740	

SERIAL

POOL HOOK "EEC" APPROVED

Power: 70 CV, 80 CV, 90 CV

CODE REV

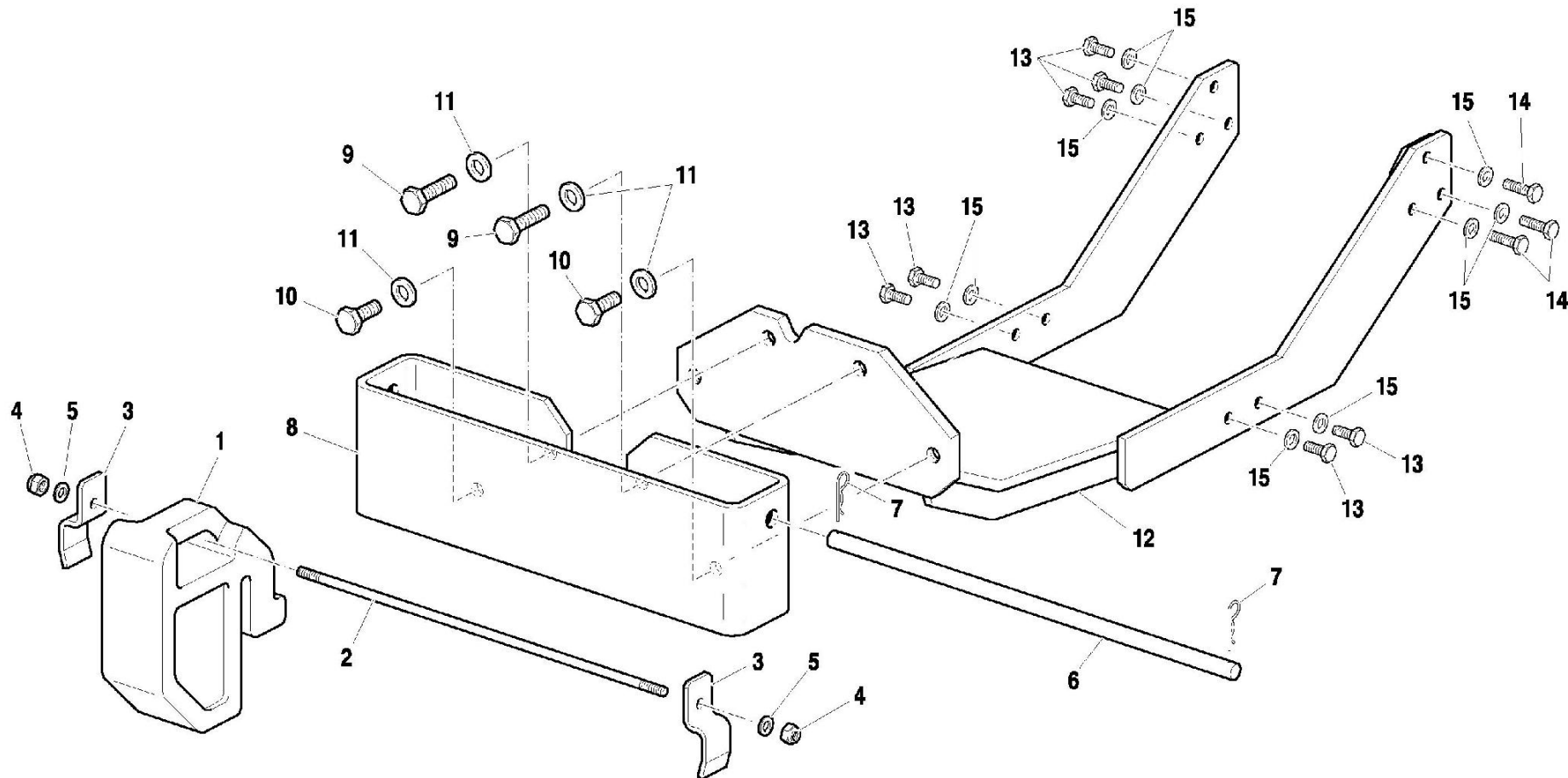
T0302_0_18319



ZAVORRE ANTERIORI
FRONT BALLASTS
LESTS ANTERIEURS
VORDERE BALLASTEN
LASTRES ANTERIORES

Validità				
70				
RS-M	RS-R	MT	AR-M	AR-R

Tavola	Rev.	Data
T.04.01	0	05/2003



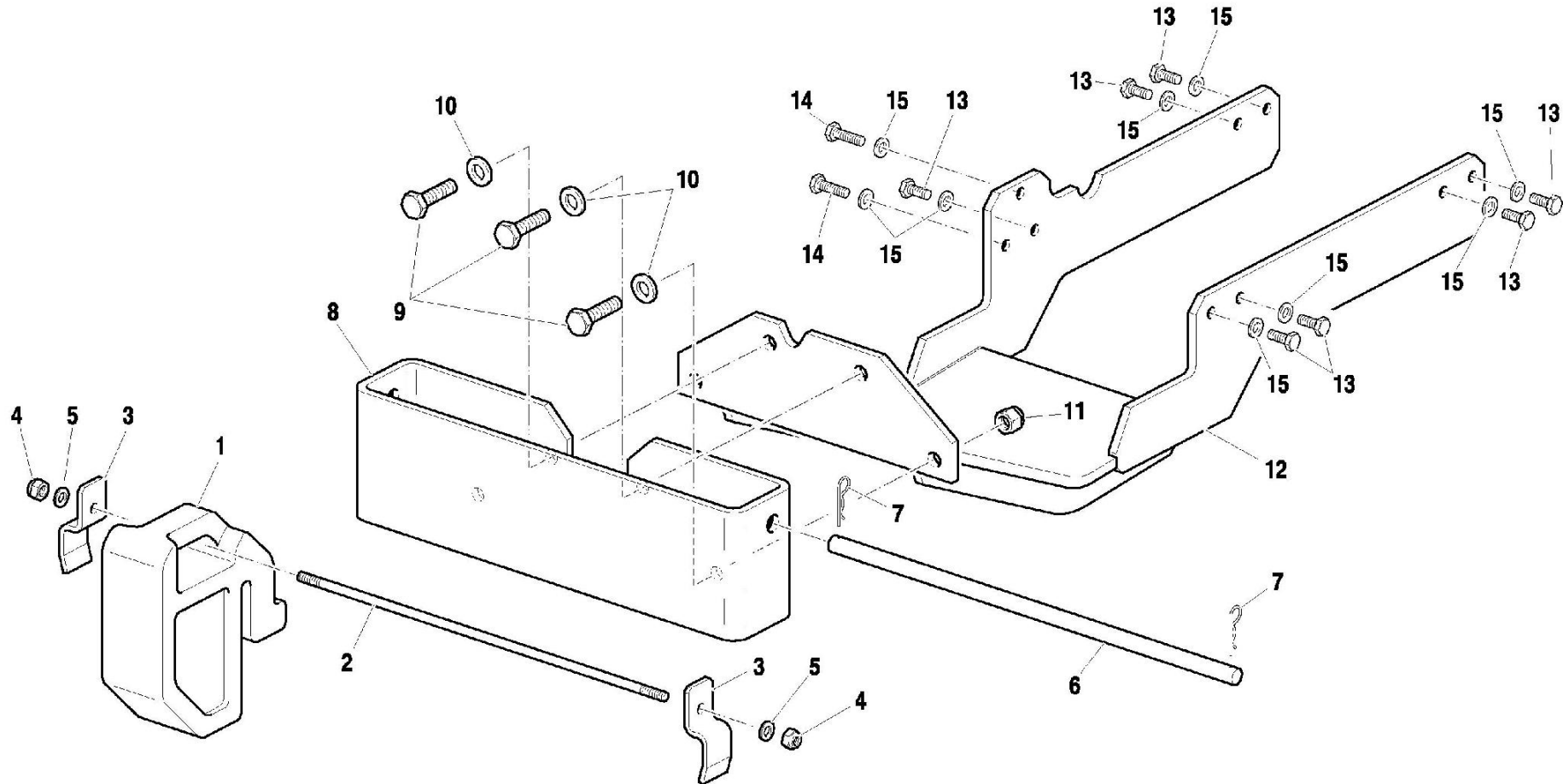
Pos.	Code	Q.ty	Description	Notes
1	F0150051050	0	FRONT BALLAST	
2	56075238	0	ROD	
3	F0150051145	0	SQUARE	
4	31241100	0	SELFLOCK NUT M10 6S	
5	31411105	0	WASHER 10,5x21	
6	56075237	0	ROD	
7	F0851486000	0	SPLIT PIN	
8	59075239	0	BALLAST CARRIER	
9	F0864245000	0	SCREW M14X45 UNI 5737	
10	31111330	0	SCREW TE M14X30 UNI 5739 8G	
11	F0843921030	0	WASHER 14	
12	59075611	0	BRACE	
13	31112219	0	SCREW TE M10X25 UNI 5739	
14	31112212	0	SCREW TE M10X35 UNI 5739	
15	F0843755000	0	WASHER 10	



ZAVORRE ANTERIORI
FRONT BALLASTS
LESTS ANTERIEURS
VORDERE BALLASTEN
LASTRES ANTERIORES

Validità				
80		90		
RS-M	RS-R	MT	AR-M	AR-R

Tavola	Rev.	Data
T.04.02	0	05/2003



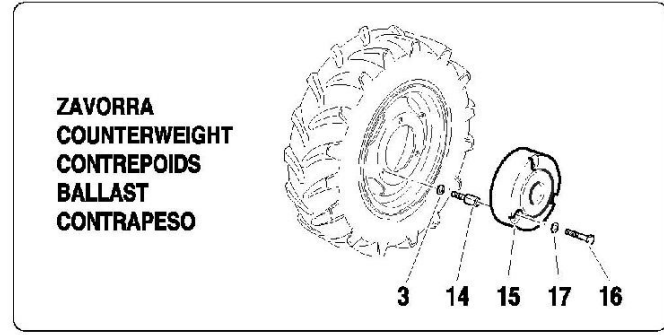
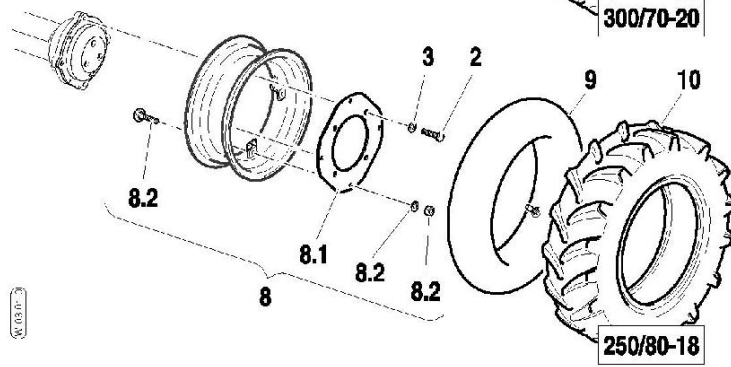
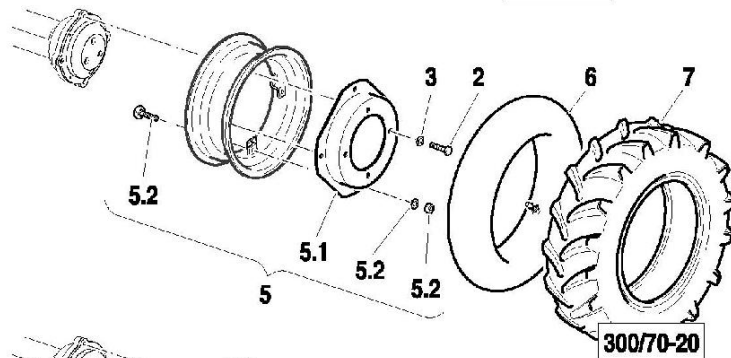
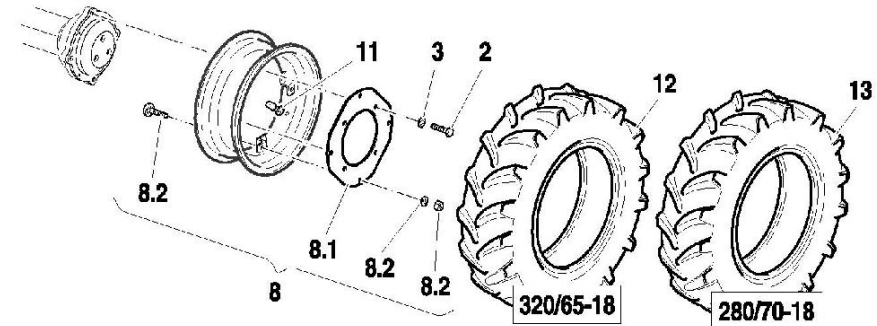
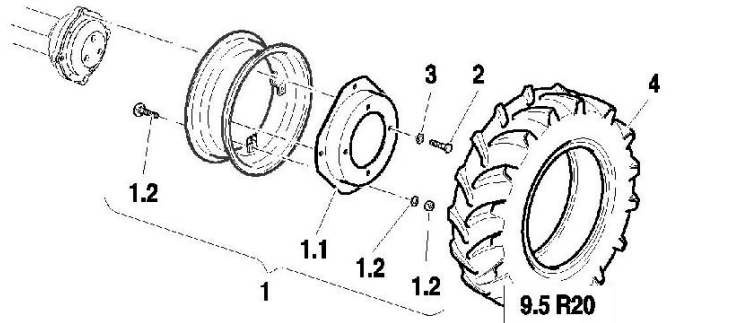
Pos.	Code	Q.ty	Description	Notes
1	F0150051050	0	FRONT BALLAST	
2	56075238	0	ROD	
3	F0150051145	0	SQUARE	
4	31241100	0	SELFLOCK NUT M10 6S	
5	31411105	0	WASHER 10,5x21	
6	56075237	0	ROD	
7	F0851486000	0	SPLIT PIN	
8	59075239	0	BALLAST CARRIER	
9	F0864245000	0	SCREW M14X45 UNI 5737	
10	F0843921030	0	WASHER 14	
11	F0814756000	0	NUT M14	
12	59075438	0	BRACE	
13	31112219	0	SCREW TE M10X25 UNI 5739	
14	31112212	0	SCREW TE M10X35 UNI 5739	
15	F0843755000	0	WASHER 10	



RUOTE E PNEUMATICI (TAVOLA 1/2)
 WHEELS AND TYRES (TABLE 1/2)
 ROUES ET PNEUMATIQUES (TABLE 1/2)
 RÄDER U. REIFEN (TAFEL 1/2)
 RUEDAS Y NEUMÁTICOS (TABLA 1/2)

Validità		
70	80	90
		AR-M AR-R

Tavola	Rev.	Data
W.03.01	0	05/2003



W.03.01

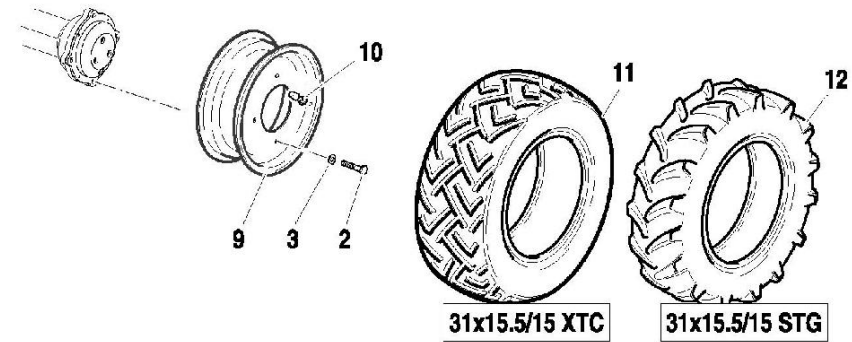
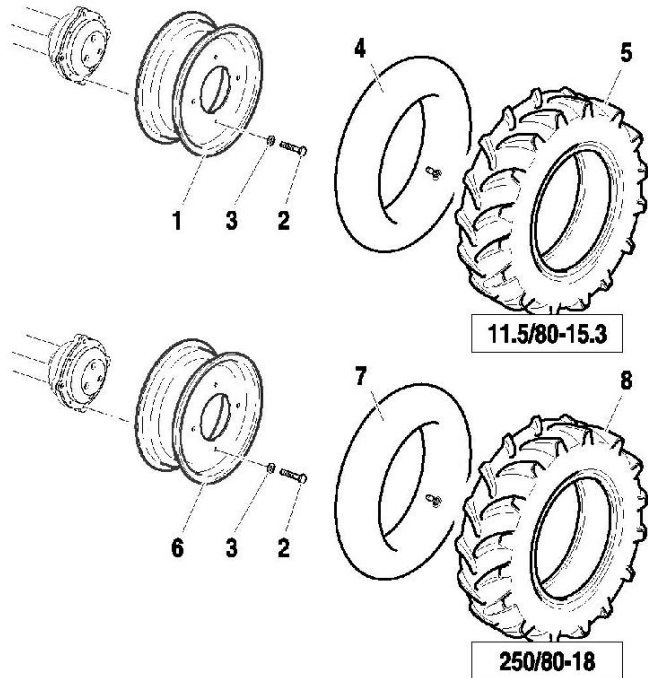
Pos.	Code	Q.ty	Description	Notes
1	59270304	0	RIM	
1.1	58170181	0	DISC	
1.2	59900361	0	KIT	
2	F0864410500	0	SCREW M18X1,5/45 U/5740	
3	F0844150000	0	WASHER D.30x18,5/5	
4	F0848664000	0	TYRE 9.5-R20	
5	59270303	0	RIM	
5.1	58170181	0	DISC	
5.2	59900361	0	KIT	
6	F0848920000	0	INNER TUBE	
7	F0848676050	0	TYRE 300/70 R20	
8	59275632	0	RIM	
8.1	58175630	0	RIM	
8.2	59900361	0	KIT	
9	F0848855000	0	INNER TUBE	
10	F0848655000	0	TYRE 250/80-18 8PR	
11	F0150010905	0	VALVE	
12	F0848679600	0	TYRE 320/65R18	
13	F0848655100	0	TYRE 280/70R18	
14	56370539	0	SPECIAL SCREW	
15	51170540	0	BALLAST	
16	F0864314000	0	SCREW M14X65 UNI 5737	
17	F0843993060	0	WASHER 28x15/4	



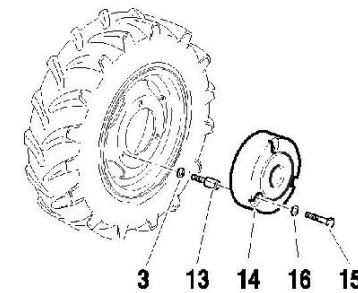
RUOTE E PNEUMATICI (TAVOLA 2/2)
 WHEELS AND TYRES (TABLE 2/2)
 ROUES ET PNEUMATIQUES (TABLE 2/2)
 RÄDER U. REIFEN (TAFEL 2/2)
 RUEDAS Y NEUMÁTICOS (TABLA 2/2)

Validità		
70	80	90
	AR-M	AR-R

Tavola	Rev.	Data
W.03.02	0	05/2003



ZAVORRA
 COUNTERWEIGHT
 CONTREPOIDS
 BALLAST
 CONTRAPESO



Pos.	Code	Q.ty	Description	Notes
1	58173178	0	RIM	
2	F0864410500	0	SCREW M18X1,5/45 U/5740	
3	F0844150000	0	WASHER D.30x18,5/5	
4	F0848844000	0	INNER TUBE	
5	F0848672100	0	TYRE 11.5/80-15.3 8PR	
6	58170938	0	RIM	
7	F0848855000	0	INNER TUBE	
8	F0848655000	0	TYRE 250/80-18 8PR	
9	58175205	0	RIM	
10	F0150010905	0	VALVE	
11	F0848681600	0	TYRE 31X15.5-15 8PR	
12	F0848681605	0	TYRE 31X15.5-15	
13	56370539	0	SPECIAL SCREW	
14	51170540	0	BALLAST	
15	F0864314000	0	SCREW M14X65 UNI 5737	
16	F0843993060	0	WASHER 28x15/4	

SPARE PARTS INSTANCE INDEX



SPARE PARTS INSTANCE INDEX

Code	Parts Table	Pos.	Q.ty	Code	Parts Table	Pos.	Q.ty	Code	Parts Table	Pos.	Q.ty
30000007	D0301_0_16283	24	0	31112090	A0102_1_14720	10	0	31112150	B0102_0_15096	5	0
30000506	E0301_0_16816	15	0		A0103_1_14789	10	0		B0201_0_15127	8	0
30000614	B0801_1_69100	8	1		B0901_0_15758	9	0		B0404_0_15361	35	0
	B0801_2_69139	8	1		C0102_0_15959	3	0		D1301_0_16613	7	0
30000777	F0103_0_16954	8	0		F0201_0_17025	6	0		F0103_0_16954	29	0
	F0104_0_16990	8	0		F0202_0_17043	6	0		F0104_0_16990	28	0
31111090	F0401_0_17228	26	0		F0303_0_17147	15	0		F0401_0_17228	2	0
	M0203_0_18066	48	0	31112092	B0404_0_15361	29	0		L0101_0_17311	25	0
31111091	B0201_0_15127	14	0	31112093	C0202_0_16001	32	0		L0205_1_17701	24	0
	B0404_0_15361	30	0		M0101_0_17861	56	0		L0206_1_17808	25	0
	M0101_0_17861	62	0	31112097	B0101_0_15056	24	0		M0101_0_17861	35	0
31111151	B0101_0_15056	27	0	31112146	B0503_0_15535	31	0		M0203_0_18066	23	0
	B0102_0_15096	18	0		C0202_0_16001	24	0		M0203_0_18066	34	0
	B0503_0_15535	25	0		D0701_0_16411	11	0		T0201_0_18228	16	0
	B1202_0_15889	10	0		D1504_0_16755	28	0		T0202_0_18267	13	0
	C0202_0_16001	19	0	31112147	B0901_0_15758	2	0	31112151	A0301_0_14926	15	0
	F0103_0_16954	22	0		D1503_0_16728	25	0		A0302_0_14955	11	0
	F0104_0_16990	21	0		D1504_0_16755	26	0		B0101_0_15056	14	0
	L0205_1_17701	8	0	31112148	A0201_0_14825	12	0		B0102_0_15096	8	0
	L0206_1_17808	8	0		A0203_0_14871	12	0		C0302_0_16058	3	0
	M0203_0_18066	8	0		B0404_0_15361	24	0		D1503_0_16728	20	0
	M0203_0_18066	36	0		D0202_1_16246	3	0		D1504_0_16755	21	0
31111218	A0501_0_15024	14	0	31112149	B0801_1_69100	23	1	31112152	A0101_1_14653	19	0
31111330	T0401_0_18328	10	0		B0801_2_69139	23	1		A0102_1_14720	20	0
31111331	B0102_0_15096	2	0		L0101_0_17311	9	0		A0103_1_14789	20	0
31112051	A0203_0_14871	20	0		M0101_0_17861	10	0		B0503_0_15535	24	0
31112082	A0301_0_14926	4	0		M0203_0_18066	29	0		D0701_0_16411	12	0
	A0401_0_14980	9	0	31112150	A0101_1_14653	3	0	31112155	F0103_0_16954	5	0
	B0101_0_15056	32	0		A0102_1_14720	3	0		F0104_0_16990	5	0
	B0102_0_15096	23	0		A0103_1_14789	3	0	31112161	D1101_0_16526	3	0
	C0102_0_15959	23	0		A0201_0_14825	6	0	31112174	A0101_1_14653	15	0
	L0101_0_17311	14	0		A0203_0_14871	6	0		A0102_1_14720	16	0
	M0101_0_17861	15	0		A0501_0_15024	26	0		A0103_1_14789	16	0
31112090	A0101_1_14653	10	0		B0101_0_15056	11	0	31112178	B0404_0_15361	37	0

SPARE PARTS INSTANCE INDEX

Code	Parts Table	Pos.	Q.ty	Code	Parts Table	Pos.	Q.ty	Code	Parts Table	Pos.	Q.ty
31112208	B0503_0_15535	27	0	31112219	M0101_0_17861	2	0	31211060	B0901_0_15758	12	0
31112210	A0101_1_14653	23	0		T0401_0_18328	13	0	31211080	L0205_1_17701	21	0
	A0102_1_14720	24	0		T0402_0_18344	13	0		L0206_1_17808	22	0
	A0103_1_14789	24	0	31112264	B0503_0_15535	35	0		M0203_0_18066	21	0
	A0301_0_14926	9	0	31112265	B0503_0_15535	36	0	31211100	L0205_1_17701	16	0
	B0404_0_15361	36	0	31112272	T0201_0_18228	9	0		L0206_1_17808	17	0
	E0201_0_16797	5	0		T0202_0_18267	7	0		M0203_0_18066	15	0
	E0202_0_16806	5	0	31112328	B0101_0_15056	4	0	31211160	T0201_0_18228	5.4	0
	F0103_0_16954	24	0		B0101_0_15056	35	0	31212060	A0101_1_14653	12	0
	F0104_0_16990	23	0		B0102_0_15096	26	0		A0102_1_14720	12	0
	F0201_0_17025	9	0	31122804	B0404_0_15361	10	0		A0103_1_14789	12	0
	F0202_0_17043	9	0	31132562	A0201_0_14825	2	0		B0201_0_15127	16	0
	F0303_0_17147	2	0		A0203_0_14871	2	0		F0201_0_17025	8	0
31112211	A0101_1_14653	18	0		C0202_0_16001	31	0		F0202_0_17043	8	0
	A0102_1_14720	19	0	31132566	D1301_0_16613	6	0	31212100	B0503_0_15535	29	0
	A0103_1_14789	19	0	31152057	L0205_1_17701	3	0	31231080	A0201_0_14825	15	0
	B0404_0_15361	8	0		L0206_1_17808	3	0		A0203_0_14871	18	0
	B0503_0_15535	19	0		M0203_0_18066	3	0		B0101_0_15056	21	0
	C0102_0_15959	6	0	31152060	A0203_0_14871	15	0		B0102_0_15096	15	0
	F0103_0_16954	14	0	31152068	A0203_0_14871	16	0	31241051	B0503_0_15535	12	0
	L0101_0_17311	3	0	31152083	F0103_0_16954	2	0	31241080	B0101_0_15056	17	0
	M0101_0_17861	3	0		F0104_0_16990	2	0		B0102_0_15096	11	0
31112212	C0102_0_15959	7	0		F0201_0_17025	2	0	31241100	T0401_0_18328	4	0
	T0401_0_18328	14	0		F0202_0_17043	2	0		T0402_0_18344	4	0
	T0402_0_18344	14	0	31152085	D1101_0_16526	2	0	31241121	M0101_0_17861	50	0
31112213	C0102_0_15959	8	0	31152088	B0201_0_15127	11	0	31312089	D1201_0_16542	55	0
31112217	M0101_0_17861	5	0	31152097	B0101_0_15056	7	0	31313300	C0302_0_16058	7	0
31112219	A0101_1_14653	6	0		M0101_0_17861	47	0	31313320	C0302_0_16058	8	0
	A0102_1_14720	6	0	31200501	A0401_0_14980	5	0	31411053	A0203_0_14871	21	0
	A0103_1_14789	6	0		A0402_0_15005	5	0	31411064	A0301_0_14926	5	0
	A0302_0_14955	9	0	31211050	A0203_0_14871	23	0		B0901_0_15758	10	0
	B0404_0_15361	7	0	31211060	A0301_0_14926	7	0		F0303_0_17147	17	0
	F0303_0_17147	3	0		B0404_0_15361	21	0	31411066	B0404_0_15361	31	0
	L0101_0_17311	2	0		B0503_0_15535	7	0		B0503_0_15535	5	0

SPARE PARTS INSTANCE INDEX

Code	Parts Table	Pos.	Q.ty	Code	Parts Table	Pos.	Q.ty	Code	Parts Table	Pos.	Q.ty
31411084	B0101_0_15056	12	0	31411150	D1503_0_16728	22	0	38112200	F0103_0_16954	6	0
	B0102_0_15096	6	0		D1504_0_16755	23	0		F0104_0_16990	6	0
	B0201_0_15127	4	0	31421083	A0101_1_14653	20	0	38112507	F0103_0_16954	34	0
	B0404_0_15361	25	0		A0102_1_14720	21	0		F0104_0_16990	33	0
	B0503_0_15535	15	0		A0103_1_14789	21	0	38114070	D0801_0_16453	8	0
	B0801_1_69100	17	1		D0202_1_16246	4	0	38116317	D1201_0_16542	49	0
	B0801_1_69100	24	1	31510053	B0801_1_69100	6	1	38118720	D1201_0_16542	50	0
	B0801_2_69139	17	1		B0801_2_69139	6	1	41S50001	A0102_1_14720	1	0
	B0801_2_69139	24	1	34110029	T0202_0_18267	9.4	0	41S60001	A0103_1_14789	1	0
	B0901_0_15758	7	0	34110030	M0101_0_17861	59	0	41T00001	A0101_1_14653	1	0
	D0301_0_16283	30	0	34211054	D1301_0_16613	4	0	50970418	D1504_0_16755	33	0
31411090	A0101_1_14653	21	0	34321066	D1503_0_16728	7	0	50973415	M0101_0_17861	40	0
	A0102_1_14720	22	0		D1504_0_16755	7	0	51170020	C0302_0_16058	6	0
	A0103_1_14789	22	0	35111047	D1201_0_16542	4	0	51170540	W0301_0_18442	15	0
	B0101_0_15056	16	0	35111052	D0501_0_16362	10	0		W0302_0_18466	14	0
	B0102_0_15096	10	0	35111062	D0202_1_16246	7	0	51172005	D1001_0_16509	3	0
	B0404_0_15361	14	0		D0902_0_16489	2	0	51173371	M0101_0_17861	49	0
	F0303_0_17147	9	0	35111080	D0202_1_16246	15	0	51173650	C0302_0_16058	2	0
31411104	M0101_0_17861	22	0		D0601_0_16375	26	0	51173801	C0302_0_16058	11	0
31411105	A0101_1_14653	7	0	35121014	D0801_0_16453	1	0	51173802	C0302_0_16058	10	0
	A0102_1_14720	7	0	35121030	D0202_1_16246	6	0	51173805	C0102_0_15959	16	0
	A0103_1_14789	7	0	35121035	D0601_0_16375	16	0	51173806	C0102_0_15959	15	0
	B0503_0_15535	28	0	35121040	D0401_0_16337	11	0	51173821	C0302_0_16058	1	0
	D0301_0_16283	26	0		D1201_0_16542	9	0	51174047	M0101_0_17861	1	0
	D0301_0_16283	49	0	35211060	B0201_0_15127	19	0	51174315	L0101_0_17311	1	0
	D1503_0_16728	19	0	35211070	M0101_0_17861	27	0	51174394	D0701_0_16411	9	0
	D1504_0_16755	20	0	37111254	D0902_0_16489	3	0	51174448	C0102_0_15959	1	0
	T0401_0_18328	5	0	37111255	D0501_0_16362	9	0	51174467	C0102_0_15959	2	0
	T0402_0_18344	5	0	37111354	D0202_1_16246	16	0	51175000	B0101_0_15056	1	0
31411130	D1402_0_16646	8	0	37111404	D1201_0_16542	27	0	51175800	B0102_0_15096	1	0
	D1503_0_16728	13	0	37112302	D0202_1_16246	8	0	51270174	D1101_0_16526	8	0
	D1504_0_16755	13	0	38104412	D0202_1_16246	25	0	51270203	D1101_0_16526	13	0
31411150	B0101_0_15056	37	0	38111078	D1301_0_16613	16	0	51270771	D0701_0_16411	32	0
	B0102_0_15096	28	0	38112200	D1301_0_16613	3	0	51273893	D0701_0_16411	31	0



SPARE PARTS INSTANCE INDEX

Code	Parts Table	Pos.	Q.ty	Code	Parts Table	Pos.	Q.ty	Code	Parts Table	Pos.	Q.ty
51274080	D1301_0_16613	13	0	52470087	D1001_0_16509	11	0	53273025	D0202_1_16246	26	0
51371035	D0102_0_16108	22	0	52470117	D0601_0_16375	18	0	53273886	D1201_0_16542	30	0
	D0902_0_16489	11	0	52470118	D0601_0_16375	17	0	53273891	D1201_0_16542	51	0
52071702	L0101_0_17311	13	0	52470298	D1201_0_16542	8	0	55072935	B0503_0_15535	4	0
	M0101_0_17861	14	0	52470762	D0401_0_16337	18	0	55170047	D1402_0_16646	6	0
52074435	D0801_0_16453	15	0	52473655	D0202_1_16246	35	0	55170053	D0701_0_16411	6	0
52173669	C0202_0_16001	12	0	52473656	D0401_0_16337	24	0	55172355	A0401_0_14980	7	0
52173670	C0202_0_16001	12	0	52473827	D0501_0_16362	8	0	55174162	B0901_0_15758	14	0
52173671	C0202_0_16001	12	0	52473828	D0501_0_16362	3	0	55174163	B0901_0_15758	13	0
52173672	C0202_0_16001	12	0	52473829	D0501_0_16362	5	0	55174429	C0202_0_16001	29	0
52173673	C0202_0_16001	12	0	52473830	D0501_0_16362	6	0	55174632	A0301_0_14926	20	0
52272112	D0701_0_16411	28	0	52473831	D0501_0_16362	7	0		A0302_0_14955	17	0
52273364	D0701_0_16411	29	0	52473833	D0601_0_16375	3	0	55174633	A0301_0_14926	21	0
52274299	D0701_0_16411	26	0	52473834	D0601_0_16375	6	0		A0302_0_14955	18	0
52370072	D1001_0_16509	6	0	52473835	D0601_0_16375	8	0	55174760	A0401_0_14980	15	0
52370075	D1001_0_16509	5	0	52473836	D0601_0_16375	11	0		A0402_0_15005	10	0
52370152	D1301_0_16613	2	0	52473837	D0601_0_16375	12	0	55174761	A0401_0_14980	17	0
52372292	D1201_0_16542	35	0	52473838	D0401_0_16337	5	0		A0402_0_15005	12	0
52373177	D1503_0_16728	10	0	52473839	D0401_0_16337	9	0	55175174	B0404_0_15361	13	0
	D1504_0_16755	10	0	52473873	D1201_0_16542	3	0		B0503_0_15535	23	0
52373668	C0202_0_16001	6	0	52473874	D1201_0_16542	13	0		F0303_0_17147	10	0
52374189	D0701_0_16411	2/2	0	52473875	D1201_0_16542	19	0	55271644	B0801_1_69100	5/2	1
52374297	D0701_0_16411	27	0	52473876	D1201_0_16542	23	0		B0801_2_69139	5/2	1
52374298	D0701_0_16411	30	0	52473881	D1201_0_16542	41	0	55271852	B0801_1_69100	5/1	1
52374386	D0701_0_16411	3/2	0	52473885	D1201_0_16542	40	0		B0801_2_69139	5/1	1
52374641	D1101_0_16526	1	0	52473894	D1201_0_16542	42	0	55274314	A0501_0_15024	1	0
52375215	D1503_0_16728	14	0	52474251	D0601_0_16375	14	0	55274441	B0801_1_69100	4	1
	D1504_0_16755	14	0	52474252	D0601_0_16375	24	0		B0801_2_69139	4	1
52470061	D0102_0_16108	18	0	52474253	D0601_0_16375	21	0	56071768	A0201_0_14825	11	0
	D0902_0_16489	7	0	52474254	D0401_0_16337	17	0		A0203_0_14871	11	0
52470062	D0102_0_16108	17	0	52475059	D1201_0_16542	18	0	56073059	T0201_0_18228	15.3	0
	D0902_0_16489	6	0	52475060	D1201_0_16542	16	0		T0202_0_18267	12.2	0
52470067	D0102_0_16108	21	0	52475073	D0401_0_16337	20	0	56073413	M0101_0_17861	44	0
	D0902_0_16489	8	0	52573648	D0202_1_16246	21	0	56073414	M0101_0_17861	41	0

SPARE PARTS INSTANCE INDEX

Code	Parts Table	Pos.	Q.ty	Code	Parts Table	Pos.	Q.ty	Code	Parts Table	Pos.	Q.ty
56073416	M0101_0_17861	45	0	56170350	F0103_0_16954	16	0	56172072	F0401_0_17228	15	0
56074302	D0301_0_16283	28	0		F0104_0_16990	15	0	56172172	B1201_0_15868	6/2	0
56074313	D1201_0_16542	60	0	56170351	F0103_0_16954	20	0	56172538	C0102_0_15959	22	0
56075036	T0201_0_18228	11	0		F0104_0_16990	19	0	56172547	F0202_0_17043	12	0
56075120	A0102_1_14720	26	0	56170364	C0202_0_16001	23	0	56172749	F0401_0_17228	4	0
	A0103_1_14789	26	0	56170367	D1503_0_16728	3	0	56172950	A0501_0_15024	20	0
56075143	M0101_0_17861	58	0		D1504_0_16755	3	0	56173638	L0101_0_17311	8	0
56075145	M0101_0_17861	26	0	56170392	T0202_0_18267	3	0		M0101_0_17861	9	0
56075161	M0203_0_18066	33	0	56170447	D1301_0_16613	11	0	56173684	D0301_0_16283	23	0
56075185	M0203_0_18066	46	0	56170704	T0301_0_18310	6	0	56174108	D1201_0_16542	5	0
56075186	M0203_0_18066	47	0		T0302_0_18319	4	0	56174201	L0205_1_17701	23	0
56075197	M0203_0_18066	42	0	56170705	T0301_0_18310	7	0		L0206_1_17808	24	0
56075198	M0203_0_18066	43	0		T0302_0_18319	5	0		M0203_0_18066	22	0
56075230	D0301_0_16283	46	0	56170760	D0601_0_16375	23	0	56174227	L0205_1_17701	22	0
56075237	T0401_0_18328	6	0	56170795	D1503_0_16728	8	0		L0206_1_17808	23	0
	T0402_0_18344	6	0		D1504_0_16755	8	0	56174337	B0503_0_15535	3	0
56075238	T0401_0_18328	2	0	56170796	D1503_0_16728	9	0	56174400	D0301_0_16283	47	0
	T0402_0_18344	2	0		D1504_0_16755	9	0	56174401	D0301_0_16283	48	0
56075252	M0203_0_18066	38	0	56170964	L0205_1_17701	17	0	56174431	D1301_0_16613	10	0
56075669	T0201_0_18228	5.3	0		L0206_1_17808	18	0	56174446	C0202_0_16001	30	0
56170017	D0701_0_16411	16	0		M0203_0_18066	16	0	56174493	C0202_0_16001	11	0
56170029	D0301_0_16283	15	0	56171223	B1202_0_15889	13	0	56174529	F0303_0_17147	6	0
56170043	D1402_0_16646	7	0	56171572	D1201_0_16542	1	0	56174569	B0201_0_15127	1.1	0
56170074	D1001_0_16509	9	0	56171877	A0201_0_14825	3	0	56174618	A0501_0_15024	25	0
56170213	D0102_0_16108	9	0		A0203_0_14871	3	0	56174619	A0501_0_15024	5	0
56170214	D0102_0_16108	7	0	56171883	A0201_0_14825	4	0	56174620	A0501_0_15024	6	0
56170275	A0501_0_15024	9	0		A0203_0_14871	4	0	56174621	A0501_0_15024	7	0
56170276	A0501_0_15024	16	0	56171936	D1503_0_16728	17.1	0	56174622	A0501_0_15024	8	0
56170283	L0101_0_17311	27	0		D1504_0_16755	18	0	56174629	A0302_0_14955	4	0
	M0101_0_17861	37	0	56171938	B0503_0_15535	11	0	56174631	A0301_0_14926	14	0
56170285	L0101_0_17311	29	0	56171954	B0404_0_15361	16	0		A0302_0_14955	10	0
	M0101_0_17861	39	0		B0503_0_15535	22	0	56174635	A0401_0_14980	3	0
56170286	L0101_0_17311	28	0	56171996	B0404_0_15361	12	0		A0402_0_15005	3	0
	M0101_0_17861	38	0		F0303_0_17147	11	0	56174636	A0401_0_14980	2	0



SPARE PARTS INSTANCE INDEX

Code	Parts Table	Pos.	Q.ty	Code	Parts Table	Pos.	Q.ty	Code	Parts Table	Pos.	Q.ty
56174636	A0402_0_15005	2	0	56174835	B0201_0_15127	18	0	56370089	D0102_0_16108	16	0
56174637	A0401_0_14980	12	0	56174873	B0101_0_15056	34	0		D0601_0_16375	27	0
56174642	B0503_0_15535	30	0		B0102_0_15096	25	0		D0902_0_16489	14	0
56174643	B0901_0_15758	1	0	56174919	C0102_0_15959	21	0	56370127	D0102_0_16108	16	0
56174647	B0201_0_15127	1.3	0	56174976	A0402_0_15005	8	0		D0601_0_16375	27	0
56174648	B0201_0_15127	1.4	0	56174987	F0201_0_17025	4	0		D0902_0_16489	14	0
56174649	B0201_0_15127	1.2	0		F0202_0_17043	4	0	56370128	D0102_0_16108	16	0
56174650	B0201_0_15127	1.5	0	56174988	F0201_0_17025	5	0		D0601_0_16375	27	0
56174651	B0201_0_15127	1.7	0		F0202_0_17043	5	0		D0902_0_16489	14	0
56174654	B0201_0_15127	7	0	56174994	A0301_0_14926	8	0	56370154	D0701_0_16411	25	0
56174656	B0201_0_15127	12	0	56174995	A0301_0_14926	26	0	56370165	D0701_0_16411	23	0
56174657	B0101_0_15056	10	0	56175158	B0102_0_15096	21	0	56370172	D0701_0_16411	19	0
	B0102_0_15096	4	0	56175189	A0101_1_14653	5	0	56370177	D0701_0_16411	22	0
56174658	B0101_0_15056	13	0		A0102_1_14720	5	0	56370178	C0202_0_16001	16	0
	B0102_0_15096	7	0		A0103_1_14789	5	0		D1201_0_16542	6	0
56174659	B0101_0_15056	15	0	56175194	A0301_0_14926	2	0		D1301_0_16613	14	0
	B0102_0_15096	9	0	56175206	B1201_0_15868	15	0	56370186	D0701_0_16411	14	0
56174660	A0203_0_14871	19	0	56175243	B0101_0_15056	31	0	56370187	D1101_0_16526	5	0
56174661	A0203_0_14871	14	0	56175294	F0202_0_17043	18	0	56370204	D1101_0_16526	7	0
56174665	F0401_0_17228	1	0	56175364	B0201_0_15127	1.8	0	56370209	D0102_0_16108	12	0
56174666	B0404_0_15361	23	0	56175365	B0201_0_15127	1.6	0	56370210	D0102_0_16108	12	0
56174667	B0404_0_15361	22	0	56175367	D0601_0_16375	24	0	56370211	D0102_0_16108	12	0
56174668	B0404_0_15361	32	0	56175718	B0404_0_15361	39	0	56370212	D0102_0_16108	12	0
56174691	B0101_0_15056	26	0	56175799	B0102_0_15096	22	0	56370267	D0202_1_16246	28	0
	B0102_0_15096	17	0	56274889	C0202_0_16001	26.2	0	56370282	L0101_0_17311	22	0
56174692	D0601_0_16375	23	0	56274890	C0202_0_16001	26.1	0		M0101_0_17861	32	0
56174693	D0601_0_16375	23	0	56370018	D0701_0_16411	10	0	56370287	L0101_0_17311	24	0
56174694	D0601_0_16375	23	0	56370037	D0202_1_16246	33	0		M0101_0_17861	34	0
56174695	D0601_0_16375	23	0	56370038	D1402_0_16646	3	0	56370288	L0101_0_17311	17	0
56174725	F0103_0_16954	21	0	56370076	D1001_0_16509	10	0		M0101_0_17861	18	0
	F0104_0_16990	20	0	56370079	D1001_0_16509	7	0	56370539	W0301_0_18442	14	0
56174728	A0101_1_14653	17	0	56370081	C0102_0_15959	4	0		W0302_0_18466	13	0
	A0102_1_14720	18	0		D1001_0_16509	15	0	56370582	D1101_0_16526	12	0
	A0103_1_14789	18	0		L0206_1_17808	48	0	56370583	D1101_0_16526	11	0

SPARE PARTS INSTANCE INDEX

Code	Parts Table	Pos.	Q.ty	Code	Parts Table	Pos.	Q.ty	Code	Parts Table	Pos.	Q.ty
56370696	T0301_0_18310	4	0	56470138	D0601_0_16375	9	0	56570125	D0701_0_16411	38	0
56370761	D0601_0_16375	22	0	56470139	D0401_0_16337	10	0	56570219	D0601_0_16375	4	0
56370830	D0601_0_16375	27	0	56470215	D0102_0_16108	5	0	56570284	L0101_0_17311	15	0
	D0902_0_16489	14	0	56470231	D1402_0_16646	4	0		M0101_0_17861	16	0
56370957	T0202_0_18267	9.1	0	56470299	D1301_0_16613	1	0	56570506	M0101_0_17861	20	0
56371037	D0102_0_16108	20	0	56470365	D1503_0_16728	18	0	56573661	D0202_1_16246	5	0
	D0902_0_16489	9	0		D1504_0_16755	19	0	56574008	T0202_0_18267	1	0
56371065	D0701_0_16411	21	0	56470797	D1503_0_16728	11	0	56575035	T0201_0_18228	1	0
56371162	D0202_1_16246	18	0		D1504_0_16755	11	0	57174915	A0501_0_15024	1.3	0
56371721	D1503_0_16728	15	0	56470813	D0102_0_16108	24	0	57275029	B0404_0_15361	17	0
	D1504_0_16755	15	0	56470814	D0902_0_16489	16	0	57275031	B0404_0_15361	18	0
56372282	D1201_0_16542	38	0	56470815	D0902_0_16489	15	0	57371900	A0501_0_15024	2	0
56372536	D0102_0_16108	4	0	56470987	D1201_0_16542	26	0	57372341	A0401_0_14980	13	0
56373194	D0301_0_16283	33	0	56471036	D0102_0_16108	19	0	57372345	F0303_0_17147	30	0
56373213	D0701_0_16411	24	0		D0902_0_16489	10	0	57374133	B0503_0_15535	8	0
56373426	M0101_0_17861	42	0	56473818	D0401_0_16337	6	0	57374134	B0503_0_15535	9	0
56373427	M0101_0_17861	42	0	56473880	D1201_0_16542	21	0	57374532	B0404_0_15361	28	0
56373428	M0101_0_17861	42	0	56473890	D1201_0_16542	47	0	57374553	B0801_1_69100	21	1
56373436	M0101_0_17861	53	0	56474013	C0202_0_16001	28	0		B0801_2_69139	21	1
56373800	C0102_0_15959	18	0	56474713	D1201_0_16542	47	0	57374554	B0201_0_15127	17/1	0
	C0302_0_16058	12	0	56474714	D1201_0_16542	47	0	57374592	B0404_0_15361	4	0
56373840	D0601_0_16375	1	0	56475398	D1201_0_16542	47	0	57374593	B0404_0_15361	3	0
56374076	D1301_0_16613	15	0	56475416	D1201_0_16542	47	0	57374892	B0901_0_15758	5	0
56374430	D1301_0_16613	5	0	56475417	D1201_0_16542	47	0	57374977	B0201_0_15127	17/2	0
56374556	C0202_0_16001	15	0	56475516	D1201_0_16542	45	0	57375195	M0203_0_18066	39	0
56374557	C0202_0_16001	17	0	56475517	D1201_0_16542	47	0	57375461	A0301_0_14926	28	0
56374574	M0101_0_17861	51	0	56475518	D1201_0_16542	47	0	58025869	M0101_0_17861	42	0
56375008	T0302_0_18319	2	0	56475757	D1201_0_16542	47	0	58048002	A0201_0_14825	16	0
56375146	M0101_0_17861	25	0	56475839	D0801_0_16453	5	0		A0203_0_14871	24	0
56375147	M0101_0_17861	21	0	56475844	D1201_0_16542	48	0		B0101_0_15056	18	0
56470002	D0202_1_16246	19	0	56570016	C0202_0_16001	1.1	0		B0102_0_15096	12	0
56470110	D0401_0_16337	3	0		D0701_0_16411	17	0	58070071	D1001_0_16509	4	0
56470111	D0401_0_16337	14	0		L0101_0_17311	5	0	58070164	D0701_0_16411	18	0
56470137	D0601_0_16375	10	0		M0101_0_17861	6	0	58070168	D0701_0_16411	20	0

SPARE PARTS INSTANCE INDEX

Code	Parts Table	Pos.	Q.ty	Code	Parts Table	Pos.	Q.ty	Code	Parts Table	Pos.	Q.ty
58070169	D0701_0_16411	8	0	58071755	T0201_0_18228	13.1	0	58074220	B0703_0_15684	13	0
58070198	D1101_0_16526	10	0		T0202_0_18267	10.1	0	58074221	B0703_0_15684	12	0
58070205	D1101_0_16526	15	0	58071757	T0201_0_18228	14	0	58074222	B0703_0_15684	14	0
58070262	D0202_1_16246	27	0		T0202_0_18267	11	0	58074558	D0301_0_16283	10	0
58070268	D0202_1_16246	29	0	58072053	T0201_0_18228	13.3	0	58074735	F0303_0_17147	26	0
58070366	D1402_0_16646	9	0	58072054	T0202_0_18267	10.6	0	58074736	F0401_0_17228	27	0
58070480	T0202_0_18267	9.3	0	58072055	T0201_0_18228	13.6	0	58074737	F0303_0_17147	24	0
58070482	T0202_0_18267	10.8	0	58072074	A0201_0_14825	9	0	58074777	B0703_0_15684	10	0
58070484	T0202_0_18267	9.5	0		A0203_0_14871	9	0	58074786	B0703_0_15684	5	0
58070513	L0205_1_17701	38	0	58072081	E0201_0_16797	4	0	58074787	B0703_0_15684	6	0
	L0206_1_17808	39	0		E0202_0_16806	4	0	58074788	B0703_0_15684	3/3	0
	M0203_0_18066	54	0	58072107	D0801_0_16453	3	0	58074789	B0703_0_15684	3/2	0
58070562	T0201_0_18228	13.5	0	58072389	D1201_0_16542	36	0	58074790	B0703_0_15684	3/1	0
58070690	A0501_0_15024	17	0	58072398	D1201_0_16542	43	0	58074791	B0703_0_15684	4	0
58070741	D0701_0_16411	36	0	58072399	D1201_0_16542	39	0	58074792	B0703_0_15684	1	0
	D1301_0_16613	18	0	58072509	B0703_0_15684	28	0	58074793	B0703_0_15684	2	0
58070743	C0202_0_16001	1.2	0	58072510	B0703_0_15684	31	0	58074825	A0201_0_14825	8	0
58070790	D0301_0_16283	20	0	58072511	B0703_0_15684	30	0		A0203_0_14871	8	0
	D0301_0_16283	38	0	58072517	B0703_0_15684	29	0	58074831	B0102_0_15096	16	0
	D1503_0_16728	5	0	58072568	E0301_0_16816	9	0	58074837	B0703_0_15684	7	0
	D1504_0_16755	5	0	58072575	B0703_0_15684	22	0	58074839	B0703_0_15684	15	0
58070848	T0201_0_18228	15	0	58072737	B0703_0_15684	26	0	58074841	B0703_0_15684	8	0
58070873	A0301_0_14926	24	0	58073034	T0202_0_18267	12	0	58074846	B0703_0_15684	16	0
58070952	T0202_0_18267	9	0	58073147	L0205_1_17701	6/2	0	58074848	B0703_0_15684	21	0
58070953	T0202_0_18267	9.6	0		L0206_1_17808	6/2	0	58074872	F0303_0_17147	20	0
58070954	T0202_0_18267	9.9	0		M0203_0_18066	6/2	0	58074874	A0302_0_14955	21	0
58070955	T0202_0_18267	9.7	0	58073156	B0703_0_15684	25	0	58074875	B0703_0_15684	23	0
58070956	T0202_0_18267	9.10	0	58073205	T0202_0_18267	10	0	58074880	B0703_0_15684	11	0
58071305	E0301_0_16816	10	0	58073206	T0202_0_18267	10.7	0	58074895	A0501_0_15024	19/2	0
58071307	E0101_0_16789	4	0	58073212	T0202_0_18267	10.4	0	58074901	E0301_0_16816	1/1	0
58071308	E0101_0_16789	5	0	58073411	M0101_0_17861	43	0	58074903	E0202_0_16806	7	0
58071313	E0201_0_16797	3	0	58073461	D0202_1_16246	12.1	0	58074904	E0101_0_16789	1	0
	E0202_0_16806	3	0	58073644	B0703_0_15684	9	0	58074905	E0301_0_16816	3	0
58071322	T0202_0_18267	4	0	58074092	D1201_0_16542	37	0	58074921	F0303_0_17147	12	0

SPARE PARTS INSTANCE INDEX

Code	Parts Table	Pos.	Q.ty	Code	Parts Table	Pos.	Q.ty	Code	Parts Table	Pos.	Q.ty
58074958	L0205_1_17701	40	0	58075607	A0101_1_14653	28	0	58170376	B0801_1_69100	15	1
	L0206_1_17808	41	0		A0102_1_14720	29	0		B0801_2_69139	15	1
	M0203_0_18066	55	0		A0103_1_14789	30	0	58170436	B0201_0_15127	3	0
58075021	B0703_0_15684	20	0	58075776	B0801_1_69100	7/1	1	58170443	D0202_1_16246	23	0
58075022	B0703_0_15684	17	0		B0801_2_69139	7/1	1	58170449	T0201_0_18228	18	0
58075080	L0205_1_17701	39	0	58075843	T0202_0_18267	10.3	0		T0202_0_18267	15	0
	L0206_1_17808	40	0	58170013	C0202_0_16001	27	0	58170453	B0801_1_69100	7.1	1
58075082	L0205_1_17701	47	0	58170021	C0302_0_16058	4	0		B0801_2_69139	7.1	1
	M0203_0_18066	62	0	58170034	D0202_1_16246	30	0		E0301_0_16816	1.1	0
58075153	B0703_0_15684	18	0	58170045	D1402_0_16646	1	0	58170512	L0205_1_17701	35	0
58075159	M0203_0_18066	27	0	58170054	D0701_0_16411	7	0		L0206_1_17808	36	0
58075160	M0203_0_18066	50	0	58170070	D1001_0_16509	12	0		M0203_0_18066	51	0
58075164	E0201_0_16797	7	0	58170077	C0202_0_16001	13	0	58170571	E0301_0_16816	3.2	0
58075193	A0501_0_15024	19/1	0	58170130	D0401_0_16337	23	0	58170572	E0301_0_16816	3.1	0
58075226	L0205_1_17701	41	0		D1201_0_16542	11	0	58170700	E0202_0_16806	7.1	0
	L0206_1_17808	42	0	58170181	W0301_0_18442	1.1	0	58170703	D1402_0_16646	2	0
	M0203_0_18066	56	0		W0301_0_18442	5.1	0	58170921	D1504_0_16755	30	0
58075228	F0202_0_17043	14	0	58170195	D1101_0_16526	6	0	58170938	W0302_0_18466	6	0
58075229	F0202_0_17043	15	0	58170233	A0101_1_14653	13	0	58170947	E0301_0_16816	11	0
58075231	B0101_0_15056	22	0		A0102_1_14720	13	0	58170959	B1201_0_15868	1/2	0
58075247	L0205_1_17701	6/1	0		A0103_1_14789	13	0	58170995	B1201_0_15868	1/3	0
	L0206_1_17808	6/1	0	58170238	A0501_0_15024	3	0	58171000	T0201_0_18228	6	0
	M0203_0_18066	6/1	0	58170245	L0101_0_17311	21	0	58171004	T0201_0_18228	15.6	0
58075250	B0703_0_15684	19	0		M0101_0_17861	31	0		T0202_0_18267	12.5	0
58075358	L0205_1_17701	34	0	58170279	D0401_0_16337	8	0	58171005	T0201_0_18228	15.5	0
	L0206_1_17808	35	0	58170291	L0101_0_17311	16	0	58171006	T0201_0_18228	15.4	0
58075384	B0801_1_69100	7/2	1		M0101_0_17861	17	0		T0202_0_18267	12.3	0
	B0801_2_69139	7/2	1	58170306	D0202_1_16246	20	0	58171007	T0201_0_18228	15.1	0
	E0301_0_16816	1/2	0	58170344	B0801_1_69100	19	1	58171021	T0201_0_18228	7	0
58075515	D1201_0_16542	46	0		B0801_2_69139	19	1		T0202_0_18267	4.2	0
58075538	F0201_0_17025	14	0	58170345	B0801_1_69100	20	1	58171027	A0401_0_14980	1.4	0
58075539	F0201_0_17025	13	0		B0801_2_69139	20	1		A0402_0_15005	1.4	0
58075603	L0101_0_17311	7	0	58170352	F0103_0_16954	12	0	58171028	A0401_0_14980	1.3	0
	M0101_0_17861	8	0		F0104_0_16990	13	0		A0402_0_15005	1.3	0

SPARE PARTS INSTANCE INDEX

Code	Parts Table	Pos.	Q.ty	Code	Parts Table	Pos.	Q.ty	Code	Parts Table	Pos.	Q.ty
58171069	A0402_0_15005	6	0	58172016	L0206_1_17808	21	0	58173074	T0202_0_18267	12.1	0
58171139	D0601_0_16375	7	0		M0203_0_18066	20	0	58173075	T0202_0_18267	12.4	0
58171160	F0303_0_17147	1	0	58172017	I0101_0_17291	13	0	58173116	B0801_1_69100	19.1	1
58171199	A0101_1_14653	1.1	0	58172018	I0101_0_17291	14	0		B0801_1_69100	20.1	1
	A0102_1_14720	1.1	0	58172105	D0202_1_16246	32	0		B0801_2_69139	19.1	1
	A0103_1_14789	1.1	0	58172106	D0202_1_16246	31	0		B0801_2_69139	20.1	1
58171200	A0101_1_14653	1.2	0	58172240	I0101_0_17291	6	0	58173119	B0801_1_69100	19.2	1
	A0102_1_14720	1.2	0		I0101_0_17291	11.3	0		B0801_1_69100	20.2	1
	A0103_1_14789	1.2	0	58172267	B0801_1_69100	7.2	1		B0801_2_69139	19.2	1
58171215	D1503_0_16728	17	0		B0801_2_69139	7.2	1		B0801_2_69139	20.2	1
58171239	B1201_0_15868	3	0		E0301_0_16816	1.2	0	58173120	B0801_1_69100	19.3	1
58171536	L0101_0_17311	21.2	0	58172304	I0101_0_17291	7	0		B0801_2_69139	19.3	1
	M0101_0_17861	31.2	0		L0205_1_17701	11	0	58173121	B0801_1_69100	20.3	1
58171537	L0101_0_17311	21.1	0		L0206_1_17808	11	0		B0801_2_69139	20.3	1
	M0101_0_17861	31.1	0		M0203_0_18066	12	0	58173165	A0401_0_14980	1.5	0
58171737	F0303_0_17147	29.2	0	58172359	A0401_0_14980	1	0		A0402_0_15005	1.5	0
58171901	A0501_0_15024	21	0	58172400	D0202_1_16246	24	0	58173178	W0302_0_18466	1	0
58171925	I0101_0_17291	10	0		D1201_0_16542	31	0	58173195	D0301_0_16283	19.1	0
58172011	I0101_0_17291	1	0	58172402	D1201_0_16542	32	0		D0301_0_16283	31.1	0
	L0205_1_17701	12	0	58172447	D1201_0_16542	33	0		D0301_0_16283	36.1	0
	L0206_1_17808	12	0	58172448	D1201_0_16542	34	0	58173361	I0101_0_17291	9	0
	M0203_0_18066	14	0	58172463	F0401_0_17228	7	0		L0205_1_17701	14	0
58172012	I0101_0_17291	3	0	58172489	I0101_0_17291	8	0		L0206_1_17808	15	0
	L0206_1_17808	14	0		L0205_1_17701	15	0		M0203_0_18066	18	0
58172013	I0101_0_17291	4	0		L0206_1_17808	16	0	58173399	F0401_0_17228	10	0
	L0205_1_17701	13	0	58172589	F0401_0_17228	20/2	0	58173437	B1202_0_15889	4	0
	L0206_1_17808	13	0		L0205_1_17701	29	0	58173505	F0103_0_16954	11	0
	M0203_0_18066	13	0		L0206_1_17808	30	0		F0104_0_16990	14	0
58172014	I0101_0_17291	5	0		M0203_0_18066	25	0	58173506	F0103_0_16954	31	0
	I0101_0_17291	11.2	0	58172707	I0101_0_17291	2	0		F0104_0_16990	30	0
58172015	L0205_1_17701	10	0	58172806	F0103_0_16954	26	0	58173543	F0103_0_16954	15	0
	L0206_1_17808	10	0		F0104_0_16990	25	0	58173664	D0202_1_16246	9	0
58172016	I0101_0_17291	12	0	58173030	D0301_0_16283	5	0	58173961	D0301_0_16283	4	0
	L0205_1_17701	20	0	58173072	T0201_0_18228	15.2	0	58174192	D0701_0_16411	1	0



SPARE PARTS INSTANCE INDEX

Code	Parts Table	Pos.	Q.ty	Code	Parts Table	Pos.	Q.ty	Code	Parts Table	Pos.	Q.ty
58174305	F0303_0_17147	29	0	58175083	M0203_0_18066	64	0	59070333	D1503_0_16728	6	0
58174356	A0301_0_14926	12	0	58175085	A0302_0_14955	1.1	0		D1504_0_16755	6	0
58174417	D0301_0_16283	45	0	58175121	A0101_1_14653	24	0	59070448	T0201_0_18228	19	0
58174552	D0102_0_16108	1	0		A0102_1_14720	25	0		T0202_0_18267	16	0
58174581	L0101_0_17311	11	0		A0103_1_14789	25	0	59070592	B0503_0_15535	26	0
	M0101_0_17861	12	0	58175122	F0103_0_16954	7	0	59070702	T0301_0_18310	1	0
58174604	A0302_0_14955	1/2	0		F0104_0_16990	7	0	59070838	C0202_0_16001	18	0
58174605	A0302_0_14955	1/1	0	58175187	M0203_0_18066	45	0	59070922	D1504_0_16755	29	0
58174608	A0302_0_14955	5	0	58175188	M0203_0_18066	44/2	0	59070950	T0202_0_18267	6	0
58174612	A0102_1_14720	23	0	58175191	I0101_0_17291	15	0	59070951	T0202_0_18267	5	0
58174613	A0103_1_14789	23	0		M0203_0_18066	32	0	59071091	B0503_0_15535	32	0
58174716	D0202_1_16246	2	0	58175196	M0203_0_18066	41	0	59071241	B1201_0_15868	12	0
58174726	D1504_0_16755	17	0	58175205	W0302_0_18466	9	0	59071966	B0503_0_15535	33	0
58174732	F0401_0_17228	25	0	58175209	C0102_0_15959	20	0	59072057	L0205_1_17701	19	0
58174774	F0104_0_16990	1	0	58175211	M0203_0_18066	44/1	0		L0206_1_17808	20	0
58174775	F0202_0_17043	1	0	58175222	F0201_0_17025	3	0		M0203_0_18066	19	0
58174882	B0101_0_15056	9	0		F0202_0_17043	3	0	59072380	A0501_0_15024	13	0
	B0102_0_15096	3	0	58175630	W0301_0_18442	8.1	0	59072572	D1301_0_16613	20	0
58174928	B0801_1_69100	14	1	58175668	T0201_0_18228	5.2	0	59072974	F0303_0_17147	5	0
	B0801_2_69139	14	1	58175700	E0301_0_16816	2	0	59073184	A0402_0_15005	7	0
58174959	A0101_1_14653	2	0	58175769	B0801_1_69100	12	1	59073189	L0101_0_17311	30	0
	A0102_1_14720	2	0		B0801_2_69139	12	1	59073242	D1504_0_16755	31	0
	A0103_1_14789	2	0	58175770	B0801_1_69100	13	1	59073674	B0404_0_15361	6	0
58174974	I0101_0_17291	11	0		B0801_2_69139	13	1	59073678	B0404_0_15361	5	0
58174984	T0201_0_18228	13	0	58175772	B0801_1_69100	11	1	59073681	A0201_0_14825	10/2	0
58174997	A0101_1_14653	22	0	58176229	B0801_2_69139	11	1		A0203_0_14871	10/2	0
58175006	F0103_0_16954	1	0	59070012	C0102_0_15959	14	0	59073685	D0301_0_16283	25	0
58175007	F0201_0_17025	1	0	59070065	D0102_0_16108	23	0	59073693	D1503_0_16728	1	0
58175014	F0103_0_16954	19	0		D0902_0_16489	12	0		D1504_0_16755	1	0
	F0104_0_16990	18	0	59070094	D1001_0_16509	13	0	59073725	D0301_0_16283	19	0
58175023	A0301_0_14926	1	0	59070289	L0101_0_17311	18	0	59074077	D1301_0_16613	19	0
58175025	A0301_0_14926	1.1	0		M0101_0_17861	28	0	59074086	D1504_0_16755	27	0
58175044	A0402_0_15005	1	0	59070290	L0101_0_17311	19	0	59074185	D0701_0_16411	2/1	0
58175083	L0205_1_17701	49	0		M0101_0_17861	29	0	59074188	D0701_0_16411	4	0



SPARE PARTS INSTANCE INDEX

Code	Parts Table	Pos.	Q.ty	Code	Parts Table	Pos.	Q.ty	Code	Parts Table	Pos.	Q.ty
59074206	D0301_0_16283	31	0	59074745	F0104_0_16990	4	0	59075140	M0101_0_17861	55	0
59074249	B0503_0_15535	18	0	59074748	F0401_0_17228	23	0	59075148	M0101_0_17861	19	0
59074296	D0301_0_16283	36	0	59074749	F0401_0_17228	24	0	59075169	M0203_0_18066	7	0
	D0301_0_16283	39	0	59074750	F0104_0_16990	3	0	59075171	M0203_0_18066	49	0
59074346	A0201_0_14825	10/1	0	59074754	L0205_1_17701	7	0	59075178	M0101_0_17861	61	0
	A0203_0_14871	10/1	0		L0206_1_17808	7	0	59075190	A0401_0_14980	8/1	0
59074387	D0701_0_16411	3/1	0	59074755	F0103_0_16954	33	0	59075208	B0101_0_15056	23	0
59074391	B0503_0_15535	10	0		F0104_0_16990	32	0	59075223	F0103_0_16954	13	0
59074436	D0801_0_16453	9	0	59074756	F0103_0_16954	32	0	59075224	F0303_0_17147	13	0
59074438	D0801_0_16453	4	0		F0104_0_16990	31	0	59075225	F0303_0_17147	14	0
59074443	L0101_0_17311	12	0	59074757	F0103_0_16954	28	0	59075239	T0401_0_18328	8	0
	M0101_0_17861	13	0		F0104_0_16990	27	0		T0402_0_18344	8	0
59074459	D1503_0_16728	24	0	59074758	F0103_0_16954	27	0	59075242	B0101_0_15056	30	0
	D1504_0_16755	25	0		F0104_0_16990	26	0	59075254	M0203_0_18066	37	0
59074602	B0404_0_15361	2	0	59074759	L0205_1_17701	26	0	59075283	B0101_0_15056	38	0
59074603	B0404_0_15361	1	0		L0206_1_17808	27	0		B0102_0_15096	29	0
59074617	A0501_0_15024	22	0	59074979	T0201_0_18228	3	0	59075360	L0205_1_17701	32	0
59074623	D0301_0_16283	13	0	59074983	T0201_0_18228	2	0		L0206_1_17808	33	0
59074624	A0102_1_14720	27	0	59074989	F0103_0_16954	3	0	59075438	T0402_0_18344	12	0
59074627	A0101_1_14653	26	0	59074990	F0103_0_16954	4	0	59075541	B0101_0_15056	2	0
	A0103_1_14789	28	0	59074993	D1201_0_16542	59	0	59075542	B0101_0_15056	3	0
59074630	A0302_0_14955	8	0	59074996	A0301_0_14926	13	0	59075601	B0201_0_15127	6/2	0
59074638	A0401_0_14980	8/2	0	59075004	T0201_0_18228	13.7	0	59075602	B0201_0_15127	6/1	0
59074639	A0501_0_15024	12	0	59075012	T0302_0_18319	1.1	0	59075611	T0401_0_18328	12	0
59074640	F0401_0_17228	16	0	59075028	T0201_0_18228	8	0	59075667	T0201_0_18228	5	0
59074662	B0201_0_15127	20	0	59075037	L0205_1_17701	25	0	59075716	B0404_0_15361	34	0
59074675	B0503_0_15535	1	0		L0206_1_17808	26	0	59075717	B0404_0_15361	33	0
59074676	B0503_0_15535	2	0	59075039	L0205_1_17701	27	0	59075722	A0101_1_14653	25	0
59074727	A0102_1_14720	15	0		L0206_1_17808	28	0	59075813	C0202_0_16001	22	0
	A0103_1_14789	15	0		M0203_0_18066	24	0	59075979	M0203_0_18066	28	0
59074741	D0301_0_16283	8	0	59075063	F0202_0_17043	11	0	59270303	W0301_0_18442	5	0
59074742	F0401_0_17228	12	0	59075072	A0103_1_14789	27	0	59270304	W0301_0_18442	1	0
59074743	F0401_0_17228	22	0	59075081	B0503_0_15535	13	0	59271011	F0401_0_17228	8	0
59074744	F0401_0_17228	19	0	59075137	M0101_0_17861	60	0	59271859	D0301_0_16283	2	0

SPARE PARTS INSTANCE INDEX

Code	Parts Table	Pos.	Q.ty	Code	Parts Table	Pos.	Q.ty	Code	Parts Table	Pos.	Q.ty
59271860	D0301_0_16283	1	0	59900242	E0301_0_16816	1.3	0	59900361	W0301_0_18442	8.2	0
59272073	D0801_0_16453	7	0	59900298	B0201_0_15127	1/1	0	59978060	D1201_0_16542	-	0
59273659	D0202_1_16246	12	0	59900299	B0201_0_15127	1/2	0	F0150010905	W0301_0_18442	11	0
59275513	D1201_0_16542	44	0	59900300	B0201_0_15127	1/3	0		W0302_0_18466	10	0
59275632	W0301_0_18442	8	0	59900301	B0201_0_15127	1/4	0	F0150036215	B1202_0_15889	2/1	0
59276002	C0202_0_16001	26	0	59900302	B0201_0_15127	1/5	0	F0150036216	B1202_0_15889	2/2	0
59276003	C0202_0_16001	1	0	59900303	B0201_0_15127	1/6	0	F0150036219	B1202_0_15889	3	0
59374107	D1201_0_16542	29	0	59900304	B0201_0_15127	1/7	0	F0150051050	T0401_0_18328	1	0
59374548	D0102_0_16108	13	0	59900305	B0201_0_15127	1/8	0		T0402_0_18344	1	0
59374549	D0902_0_16489	4	0	59900306	B0201_0_15127	1/9	0	F0150051145	T0401_0_18328	3	0
59375009	T0302_0_18319	1	0	59900307	B0201_0_15127	1/10	0		T0402_0_18344	3	0
59375435	D1201_0_16542	52	0	59900308	B0201_0_15127	1/11	0	F0190018909	E0201_0_16797	2	0
59900151	B1201_0_15868	2/1	0	59900309	B0201_0_15127	1/12	0		E0202_0_16806	2	0
59900152	B1201_0_15868	14	0	59900337	A0101_1_14653	1.4	0	F0190032529	B1201_0_15868	1/1	0
59900153	B1201_0_15868	8	0		A0102_1_14720	1.4	0	F0190035152	E0301_0_16816	16	0
59900154	B1201_0_15868	7	0		A0103_1_14789	1.4	0	F0256808000	A0501_0_15024	27	0
59900155	B1201_0_15868	6/1	0	59900340	F0303_0_17147	29.1	0		B0404_0_15361	27	0
59900156	B1201_0_15868	5	0	59900344	A0101_1_14653	1.3	0	F0256809050	A0302_0_14955	3	0
59900157	B1201_0_15868	10	0		A0102_1_14720	1.3	0	F0801050000	M0101_0_17861	23	0
59900158	B1201_0_15868	9	0		A0103_1_14789	1.3	0	F0801095000	D1503_0_16728	23	0
59900159	B1201_0_15868	4	0	59900345	A0101_1_14653	1.5	0		D1504_0_16755	24	0
59900160	B1201_0_15868	11	0		A0102_1_14720	1.5	0	F0801241010	D0501_0_16362	4	0
59900161	B1201_0_15868	13	0		A0103_1_14789	1.5	0		D1201_0_16542	25	0
59900162	B1201_0_15868	2/3	0	59900347	A0401_0_14980	1.2	0		D1503_0_16728	4	0
59900182	B1201_0_15868	2/2	0		A0402_0_15005	1.2	0		D1504_0_16755	4	0
59900183	B1202_0_15889	5	0	59900353	A0401_0_14980	1.1	0		L0101_0_17311	23	0
59900184	B1202_0_15889	6	0		A0402_0_15005	1.1	0		M0101_0_17861	33	0
59900185	B1202_0_15889	7	0	59900354	B0801_1_69100	2	1	F0801264050	D0202_1_16246	14	0
59900186	B1202_0_15889	8	0		B0801_2_69139	2	1		D0401_0_16337	1	0
59900187	B1202_0_15889	9	0	59900357	A0101_1_14653	27	0	F0801266100	D0202_1_16246	22	0
59900199	B1202_0_15889	1/2	0		A0102_1_14720	28	0	F0801297000	L0205_1_17701	44	0
59900200	B1202_0_15889	1/1	0		A0103_1_14789	29	0		L0206_1_17808	45	0
59900230	I0101_0_17291	10.1	0	59900361	W0301_0_18442	1.2	0		M0203_0_18066	59	0
	I0101_0_17291	11.1	0		W0301_0_18442	5.2	0	F0801297050	D1201_0_16542	17	0

SPARE PARTS INSTANCE INDEX

Code	Parts Table	Pos.	Q.ty	Code	Parts Table	Pos.	Q.ty	Code	Parts Table	Pos.	Q.ty
F0801299100	D0601_0_16375	20	0	F0810510000	D1503_0_16728	12	0	F0814529080	E0301_0_16816	13	0
F0801331050	L0101_0_17311	20	0		D1504_0_16755	12	0	F0814545000	A0301_0_14926	19	0
	M0101_0_17861	30	0	F0810527000	D0301_0_16283	35	0		A0302_0_14955	16	0
F0801331150	D0401_0_16337	7	0		D0301_0_16283	41	0	F0814547000	C0202_0_16001	33	0
F0801353000	D0401_0_16337	12	0	F0810622010	T0202_0_18267	2	0	F0814569000	B0101_0_15056	29	0
	D1201_0_16542	10	0	F0812523050	D0202_1_16246	1	0		B0102_0_15096	20	0
F0801380100	D0401_0_16337	16	0	F0812599086	D1201_0_16542	7	0		D0301_0_16283	22	0
F0801389000	D1201_0_16542	15	0	F0812637000	D1201_0_16542	2	0		D0301_0_16283	44	0
F0801422010	D0102_0_16108	11	0	F0812660020	D0401_0_16337	21	0		M0101_0_17861	24	0
F0801455100	D0202_1_16246	34	0	F0812689050	D1201_0_16542	14	0	F0814573000	B0503_0_15535	17	0
F0802104000	D0902_0_16489	1	0	F0812692015	D0601_0_16375	15	0	F0814574000	A0101_1_14653	16	0
F0802163010	D0202_1_16246	13	0	F0812708030	D0501_0_16362	2	0		A0102_1_14720	17	0
F0802228005	D1201_0_16542	24	0	F0812736010	D1201_0_16542	28	0		A0103_1_14789	17	0
F0802239045	D0102_0_16108	8	0	F0812783000	D0401_0_16337	19	0		A0301_0_14926	17	0
F0802700150	D1001_0_16509	1	0	F0812811000	D0601_0_16375	19	0		A0302_0_14955	13	0
F0803050000	D0801_0_16453	10	0	F0812838000	C0202_0_16001	14	0		A0401_0_14980	4	0
F0803057000	D0301_0_16283	16	0	F0812859000	D0102_0_16108	10	0		A0401_0_14980	11	0
F0803078100	D0102_0_16108	6	0	F0812868000	D0401_0_16337	2	0		A0402_0_15005	4	0
F0803171100	D0301_0_16283	14	0	F0812868060	D0202_1_16246	17	0		A0501_0_15024	10	0
F0803185000	L0205_1_17701	2	0	F0812878040	D0401_0_16337	4	0		B0201_0_15127	10	0
	L0206_1_17808	2	0		D1201_0_16542	20	0		B0404_0_15361	15	0
	M0203_0_18066	2	0	F0812899000	D0601_0_16375	2	0		D0102_0_16108	3	0
F0803186000	D0801_0_16453	6	0	F0812904000	D0601_0_16375	25	0		D0202_1_16246	11	0
F0803199010	D1201_0_16542	61	0	F0812918010	D0401_0_16337	22	0		D1201_0_16542	56	0
F0803208020	F0103_0_16954	30	0		D1201_0_16542	22	0	F0814585000	B0201_0_15127	5	0
	F0104_0_16990	29	0	F0812951070	D0601_0_16375	5	0	F0814627000	D1503_0_16728	16	0
F0803209000	C0102_0_15959	12	0	F0812951200	D0401_0_16337	15	0		D1504_0_16755	16	0
	D1101_0_16526	4	0	F0812952000	D0401_0_16337	13	0	F0814632000	A0101_1_14653	9	0
F0803209070	C0102_0_15959	13	0	F0812956000	D0102_0_16108	15	0		A0102_1_14720	9	0
F0808060100	T0301_0_18310	2	0		D0902_0_16489	13	0		A0103_1_14789	9	0
F0808518050	B0703_0_15684	27	0	F0812957000	D0601_0_16375	13	0		A0301_0_14926	11	0
F0810510000	D0301_0_16283	27	0	F0812957010	D1201_0_16542	12	0		A0302_0_14955	7	0
	D0301_0_16283	50	0	F0812975250	D1001_0_16509	2	0		C0102_0_15959	10	0
	D1402_0_16646	5	0	F0814525000	E0301_0_16816	6	0	F0814647000	B0901_0_15758	8	0

SPARE PARTS INSTANCE INDEX

Code	Parts Table	Pos.	Q.ty	Code	Parts Table	Pos.	Q.ty	Code	Parts Table	Pos.	Q.ty
F0814689020	D1402_0_16646	10	0	F0824110000	F0202_0_17043	17	0	F0825420660	E0301_0_16816	12.1	0
F0814750010	C0302_0_16058	9	0		F0401_0_17228	21	0	F0825436000	B0801_1_69100	7.3	1
F0814756000	T0402_0_18344	11	0		L0205_1_17701	30	0		B0801_2_69139	7.3	1
F0814811000	T0202_0_18267	9.11	0		L0206_1_17808	31	0		E0301_0_16816	1.5	0
F0814907000	T0201_0_18228	13.4	0		M0203_0_18066	11	0	F0825436003	B0801_1_69100	7.4	1
	T0202_0_18267	9.8	0	F0824113000	F0201_0_17025	12	0		B0801_2_69139	7.4	1
	T0202_0_18267	10.5	0		F0202_0_17043	13	0		E0301_0_16816	1.6	0
F0817512000	A0301_0_14926	25	0		F0303_0_17147	19	0	F0825438000	E0301_0_16816	4	0
	A0302_0_14955	22	0		L0205_1_17701	37	0	F0825480100	E0201_0_16797	1	0
	A0501_0_15024	18	0		L0206_1_17808	38	0		E0202_0_16806	1	0
F0817523010	F0103_0_16954	10	0		M0203_0_18066	53	0	F0825488000	E0301_0_16816	8	0
	F0104_0_16990	12	0	F0824141000	F0303_0_17147	23	0	F0825493000	E0301_0_16816	17	0
F0817535000	A0301_0_14926	22	0		L0205_1_17701	43	0	F0825500220	B0801_1_69100	8.1	1
	A0302_0_14955	19	0		L0206_1_17808	44	0		B0801_2_69139	8.1	1
F0817550000	A0301_0_14926	23	0		M0203_0_18066	31	0	F0825718020	F0103_0_16954	19.1	0
	A0302_0_14955	20	0		M0203_0_18066	58	0		F0104_0_16990	18.1	0
F0817568000	A0401_0_14980	14	0	F0824185000	F0103_0_16954	17	0	F0825809000	L0205_1_17701	1	0
	A0401_0_14980	16	0		F0104_0_16990	16	0		L0206_1_17808	1	0
	A0402_0_15005	9	0	F0825115010	B0801_1_69100	10	1		M0203_0_18066	1	0
	A0402_0_15005	11	0		B0801_2_69139	10	1	F0825980030	L0205_1_17701	45	0
F0817568100	A0401_0_14980	6	0	F0825117000	E0301_0_16816	7	0		L0206_1_17808	46	0
	A0401_0_14980	18	0	F0825139000	E0301_0_16816	1.4	0		M0203_0_18066	60	0
	A0402_0_15005	13	0	F0825400060	B0801_1_69100	9	1	F0826039000	D0301_0_16283	34	0
F0817640003	D0701_0_16411	5	0		B0801_2_69139	9	1		D0301_0_16283	40	0
F0822537050	D0301_0_16283	32	0	F0825403050	B0801_1_69100	18	1	F0826056000	C0202_0_16001	8	0
	D0301_0_16283	37	0		B0801_2_69139	18	1		C0202_0_16001	10	0
	D1503_0_16728	2	0	F0825404050	E0101_0_16789	2	0		L0101_0_17311	6	0
	D1504_0_16755	2	0	F0825414000	A0501_0_15024	24	0		M0101_0_17861	7	0
F0824022000	L0205_1_17701	5	0		E0301_0_16816	14	0		T0201_0_18228	4	0
	L0206_1_17808	5	0	F0825417000	E0201_0_16797	8	0		T0302_0_18319	1.2	0
	M0203_0_18066	5	0		E0202_0_16806	8	0	F0826057000	C0202_0_16001	9	0
F0824110000	D0301_0_16283	18	0	F0825420500	E0101_0_16789	6	0	F0828029070	A0201_0_14825	1	0
	F0104_0_16990	9	0	F0825420560	E0101_0_16789	6.1	0		A0203_0_14871	1	0
	F0201_0_17025	17	0	F0825420600	E0301_0_16816	12	0	F0831047000	D1301_0_16613	9	0

SPARE PARTS INSTANCE INDEX

Code	Parts Table	Pos.	Q.ty
F0831065000	B0101_0_15056	19	0
	B0102_0_15096	13	0
F0831125000	A0201_0_14825	13	0
	A0203_0_14871	13	0
F0835024010	F0202_0_17043	16	0
	L0205_1_17701	31	0
	L0206_1_17808	32	0
	M0203_0_18066	26	0
F0835037000	F0303_0_17147	25	0
	L0205_1_17701	42	0
	L0206_1_17808	43	0
	M0203_0_18066	57	0
F0835040030	F0303_0_17147	27	0
F0835523000	D0301_0_16283	29	0
F0837534010	L0205_1_17701	18	0
	L0206_1_17808	19	0
	M0203_0_18066	17	0
F0837534060	D1301_0_16613	12	0
F0838154010	D1201_0_16542	54	0
F0838475000	C0102_0_15959	9	0
F0840563000	F0103_0_16954	18	0
	F0104_0_16990	17	0
F0840564050	F0201_0_17025	15	0
F0842512000	F0303_0_17147	21	0
F0843102000	D0801_0_16453	11	0
	F0401_0_17228	17	0
F0843109020	D0301_0_16283	17	0
	F0201_0_17025	16	0
	F0401_0_17228	20/1	0
	L0205_1_17701	28	0
	L0206_1_17808	29	0
	M0203_0_18066	10	0
F0843110010	F0201_0_17025	11	0
	F0303_0_17147	18	0

Code	Parts Table	Pos.	Q.ty
F0843110010	L0205_1_17701	36	0
	L0206_1_17808	37	0
	M0203_0_18066	52	0
F0843116000	F0303_0_17147	22	0
	L0205_1_17701	48	0
	M0203_0_18066	30	0
	M0203_0_18066	63	0
F0843561000	A0203_0_14871	22	0
F0843570000	A0101_1_14653	11	0
	A0102_1_14720	11	0
	A0103_1_14789	11	0
	A0301_0_14926	6	0
	A0302_0_14955	15	0
	A0401_0_14980	10	0
	B0101_0_15056	25	0
	B0101_0_15056	33	0
	B0102_0_15096	24	0
	B0201_0_15127	15	0
B0404_0_15361	20	0	
B0503_0_15535	6	0	
B0901_0_15758	11	0	
C0102_0_15959	24	0	
F0201_0_17025	7	0	
F0202_0_17043	7	0	
F0303_0_17147	16	0	
F0401_0_17228	6	0	
M0101_0_17861	57	0	
	M0101_0_17861	63	0
F0843581010	D0301_0_16283	7	0
F0843641000	D0301_0_16283	11	0
	D1201_0_16542	58	0
F0843643060	A0101_1_14653	4	0
	A0102_1_14720	4	0
	A0103_1_14789	4	0

Code	Parts Table	Pos.	Q.ty
F0843643060	A0201_0_14825	5	0
	A0203_0_14871	5	0
	A0301_0_14926	16	0
	A0302_0_14955	12	0
	A0501_0_15024	11	0
	B0101_0_15056	28	0
	B0102_0_15096	19	0
	B0201_0_15127	9	0
	B0404_0_15361	26	0
	B0503_0_15535	16	0
	B0901_0_15758	3	0
	C0202_0_16001	20	0
	C0202_0_16001	25	0
	D1503_0_16728	21	0
	D1504_0_16755	22	0
	F0103_0_16954	23	0
	F0104_0_16990	22	0
	F0303_0_17147	8	0
	F0401_0_17228	3	0
	L0101_0_17311	10	0
	L0101_0_17311	26	0
	L0205_1_17701	9	0
	L0206_1_17808	9	0
	M0101_0_17861	11	0
	M0203_0_18066	9	0
	T0201_0_18228	17	0
	T0202_0_18267	14	0
F0843696000	B1202_0_15889	12	0
F0843711000	B0404_0_15361	38	0
F0843755000	A0101_1_14653	8	0
	A0102_1_14720	8	0
	A0103_1_14789	8	0
	A0301_0_14926	10	0
	A0302_0_14955	6	0

SPARE PARTS INSTANCE INDEX

Code	Parts Table	Pos.	Q.ty	Code	Parts Table	Pos.	Q.ty	Code	Parts Table	Pos.	Q.ty
F0843755000	A0501_0_15024	15	0	F0843921030	T0401_0_18328	11	0	F0848920000	W0301_0_18442	6	0
	B0101_0_15056	8	0		T0402_0_18344	10	0	F0849206005	A0301_0_14926	18	0
	B0404_0_15361	9	0	F0843948000	F0303_0_17147	28	0		A0302_0_14955	14	0
	B0503_0_15535	20	0		F0401_0_17228	9	0	F0849500001	A0501_0_15024	1.1	0
	C0102_0_15959	11	0	F0843957000	D0801_0_16453	2	0	F0849500002	A0501_0_15024	1.2	0
	E0201_0_16797	6	0	F0843993060	W0301_0_18442	17	0	F0850100000	D0501_0_16362	1	0
	E0202_0_16806	6	0		W0302_0_18466	16	0	F0850100010	D0501_0_16362	1	0
	F0103_0_16954	25	0	F0844030070	A0101_1_14653	14	0	F0850100020	D0501_0_16362	1	0
	F0104_0_16990	24	0		A0102_1_14720	14	0	F0851044000	D0102_0_16108	25	0
	F0201_0_17025	10	0		A0103_1_14789	14	0	F0851156000	D0701_0_16411	33	0
	F0202_0_17043	10	0	F0844150000	W0301_0_18442	3	0	F0851226000	D1201_0_16542	53	0
	F0303_0_17147	4	0		W0302_0_18466	3	0	F0851260000	D1101_0_16526	14	0
	M0101_0_17861	48	0	F0844240000	C0202_0_16001	21	0	F0851262000	D0701_0_16411	34	0
	T0201_0_18228	12	0	F0844273090	C0102_0_15959	5	0	F0851267050	D0701_0_16411	35	0
	T0401_0_18328	15	0		C0302_0_16058	5	0		D1101_0_16526	9	0
	T0402_0_18344	15	0		D1001_0_16509	16	0	F0851486000	L0101_0_17311	31	0
F0843771000	D0701_0_16411	15	0		L0205_1_17701	50	0		M0101_0_17861	54	0
	D0801_0_16453	12	0		L0206_1_17808	49	0		T0201_0_18228	13.2	0
	F0401_0_17228	18	0		M0203_0_18066	65	0		T0202_0_18267	9.2	0
F0843818000	B0404_0_15361	11	0	F0847434000	D0701_0_16411	37	0		T0202_0_18267	10.2	0
	B0503_0_15535	21	0		D1301_0_16613	17	0		T0301_0_18310	5	0
F0843841000	D0301_0_16283	3	0	F0847462000	D1301_0_16613	8	0		T0302_0_18319	3	0
	F0401_0_17228	11	0	F0848655000	W0301_0_18442	10	0		T0401_0_18328	7	0
F0843843060	B0503_0_15535	37	0		W0302_0_18466	8	0		T0402_0_18344	7	0
	T0201_0_18228	10	0	F0848655100	W0301_0_18442	13	0	F0851497000	B0101_0_15056	39	0
	T0202_0_18267	8	0	F0848664000	W0301_0_18442	4	0		B0102_0_15096	30	0
F0843878000	B0503_0_15535	34	0	F0848672100	W0302_0_18466	5	0		T0301_0_18310	3	0
F0843907000	D0301_0_16283	9	0	F0848676050	W0301_0_18442	7	0	F0852107050	T0202_0_18267	4.1	0
	F0103_0_16954	9	0	F0848679600	W0301_0_18442	12	0	F0852538050	F0104_0_16990	10	0
	F0104_0_16990	11	0	F0848681600	W0302_0_18466	11	0	F0852540050	C0202_0_16001	2	0
	F0401_0_17228	14	0	F0848681605	W0302_0_18466	12	0	F0852550010	L0205_1_17701	46/1	0
F0843921030	B0101_0_15056	6	0	F0848844000	W0302_0_18466	4	0		L0206_1_17808	47/1	0
	B0101_0_15056	36	0	F0848855000	W0301_0_18442	9	0	F0852550020	L0205_1_17701	46/2	0
	B0102_0_15096	27	0		W0302_0_18466	7	0		L0206_1_17808	47/2	0

SPARE PARTS INSTANCE INDEX

Code	Parts Table	Pos.	Q.ty	Code	Parts Table	Pos.	Q.ty	Code	Parts Table	Pos.	Q.ty
F0852550020	M0203_0_18066	61/1	0	F0862479032	B0901_0_15758	6	0	F0864314000	W0302_0_18466	15	0
F0852550030	L0205_1_17701	46/3	0	F0862479035	B0404_0_15361	19	0	F0864364000	T0201_0_18228	5.1	0
	L0206_1_17808	47/3	0	F0862481000	B0901_0_15758	4	0	F0864410500	W0301_0_18442	2	0
	M0203_0_18066	61/2	0		M0203_0_18066	35	0		W0302_0_18466	2	0
F0852550040	L0205_1_17701	46/4	0	F0862495010	B1202_0_15889	11	0	F0865040000	B0801_1_69100	1	1
	M0203_0_18066	61/3	0	F0862549000	D0801_0_16453	14	0		B0801_2_69139	1	1
F0854067050	B0703_0_15684	24	0	F0862593050	D0102_0_16108	2	0	F0865474000	B0801_1_69100	3	1
F0858021000	A0201_0_14825	14	0		D0202_1_16246	10	0		B0801_2_69139	3	1
	A0203_0_14871	17	0		M0101_0_17861	52	0	F0865474005	B0801_1_69100	3.1	1
	B0101_0_15056	20	0	F0862655000	D0801_0_16453	13	0		B0801_2_69139	3.1	1
	B0102_0_15096	14	0		D1001_0_16509	14	0	F0907170122	B0703_0_15684	32	0
F0858520000	A0201_0_14825	7	0	F0862694000	D0301_0_16283	21	0	P000000260007	A0301_0_14926	3	0
	A0203_0_14871	7	0		F0303_0_17147	7	0		A0302_0_14955	2	0
F0860060010	D0301_0_16283	42	0	F0862944000	D0701_0_16411	13	0		B0201_0_15127	13	0
F0860060020	D0301_0_16283	43	0	F0863183000	D0701_0_16411	39	0	P236410000000	B0201_0_15127	2	0
F0860091020	D1504_0_16755	32	0	F0863208050	M0101_0_17861	46	0	P241171000000	L0205_1_17701	33	0
F0861867001	B0801_1_69100	22	1	F0863267050	C0202_0_16001	7	0		L0206_1_17808	34	0
	B0801_2_69139	22	1	F0863311250	D0102_0_16108	14	0	P453668010001	T0201_0_18228	13.9	0
F0861867050	A0501_0_15024	4	0		D0902_0_16489	5	0	P453672020000	T0201_0_18228	13.8	0
	E0101_0_16789	3	0	F0863429000	L0101_0_17311	4	0	P988438000001	F0401_0_17228	13	0
F0861941000	E0301_0_16816	5	0		M0101_0_17861	4	0				
F0861973000	M0203_0_18066	40	0	F0863890010	C0102_0_15959	19	0				
F0862345000	D0301_0_16283	6	0		C0302_0_16058	13	0				
	F0401_0_17228	5	0	F0863925000	C0202_0_16001	3	0				
F0862448100	D0301_0_16283	12	0		C0202_0_16001	4/1	0				
	D1201_0_16542	57	0	F0863951000	C0202_0_16001	5	0				
F0862462010	L0205_1_17701	4	0	F0863997010	C0202_0_16001	4/2	0				
	L0206_1_17808	4	0	F0864180000	T0301_0_18310	8	0				
	M0203_0_18066	4	0		T0302_0_18319	6	0				
F0862464050	A0501_0_15024	23	0	F0864203050	B0101_0_15056	5	0				
F0862478070	D1001_0_16509	8	0	F0864222010	C0102_0_15959	17	0				
F0862479020	B0801_1_69100	16	1	F0864245000	T0401_0_18328	9	0				
	B0801_2_69139	16	1		T0402_0_18344	9	0				
F0862479030	B0503_0_15535	14	0	F0864314000	W0301_0_18442	16	0				